



Accurate Kinetic Energy

No.11-3 Jianguo Rd., Tanzi Dist., 42760 Taiwan

All dimensions are millimeters.

CAD: TCR

Review: EG

Appr: JL

Page: 1/4 Date: August 01,2022

Specification Title:

Voltage Controlled Clock Oscillator

7.0 x 5.0 millimeter Surface Mount General Product Specification

Part Number:

V7 Series

Electrical Specifications:

Frequency Range		1.000 ~ 52.000	MHz
Frequency Stability		±25 ~ ±100	ppm
Aging per Year		±3	ppm Max.
Operating Temperature Range	Standard	-20 ~ +70	°C
	Extended	-40 ~ +85	
Storage Temperature Range		-55 ~ +125	
Supply Voltage		3.3 ± 10% 5.0 ± 10%	VDD
Input Current		30	mA Max.
Output Voltage	Logic High (Voh)	90%	VDD Min.
	Logic Low (Vol)	10%	VDD Max.
Output Symmetry (Duty Cycle)	Standard	40 ~ 60 (at 50% VDD)	%
	Tight	45 ~ 55 (at 50% VDD)	
Output Type		CMOS	
Output Load		15	pF Max.
Rise and Fall Time		5	ns Max.
Frequency Control Voltage		1.65 ± 1.50 2.5 ± 2.0	VDD
Frequency Pulling Range		±50 ~ ±150	ppm Min.
Linearity - Positive Slope		10%	% Max.
Enable-Disable Function		Tri-State	
Input Enable Voltage		70%	VDD Min.
Input Disable Voltage		30%	VDD Max.
Phase Jitter (12 KHz to 20 MHz)		1	ps Max. RMS
Start Up Time		10	ms Max.

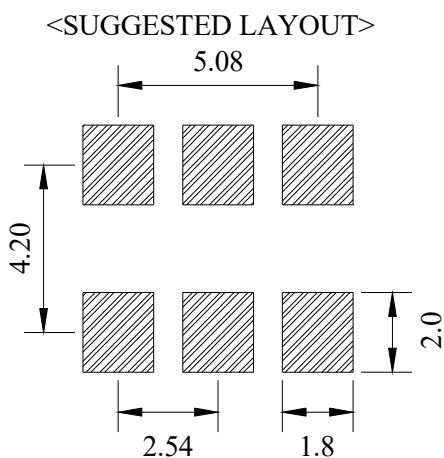
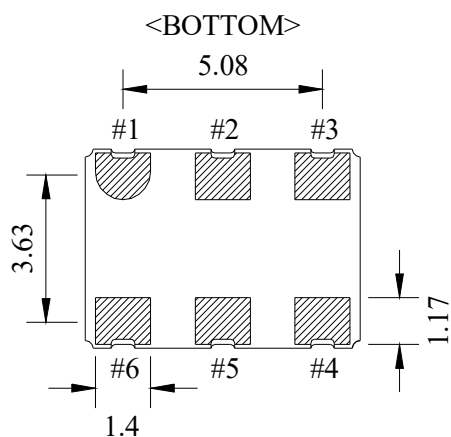
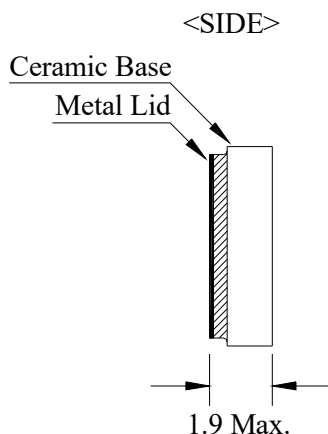
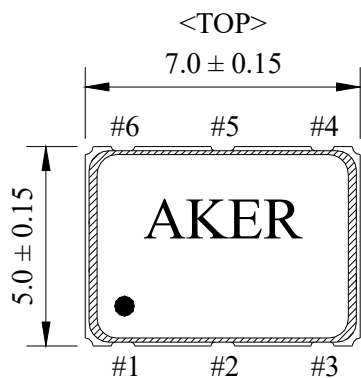
Temperature stability is Inclusive of all conditions:

Calibration Tolerance at +25°C, frequency stability over the operating temperature range, supply voltage change, output load change, shock, vilbration, and 1st year aging at +25°C.

RoHS Compliant
Pb - Lead Free

Ltr	Revisions	Date	Appr

Mechanical Outline and Solder Pad Layout:

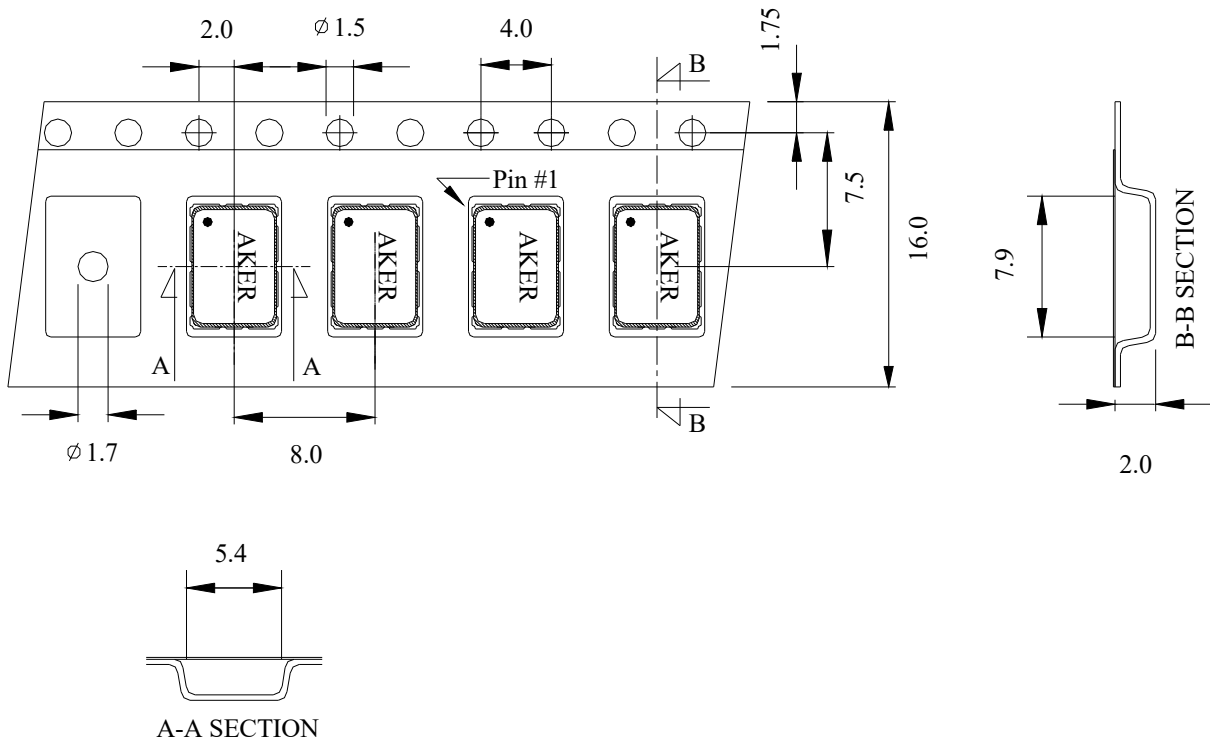


Pin Connection	
PIN No.	Connection
#1	V _{CON}
#2	Enable/Disable
#3	GND
#4	Output
#5	NC
#6	VDD

Enable/Disable Function	
PIN #2	PIN #4
HIGH or OPEN	Operating
LOW	High Impedance

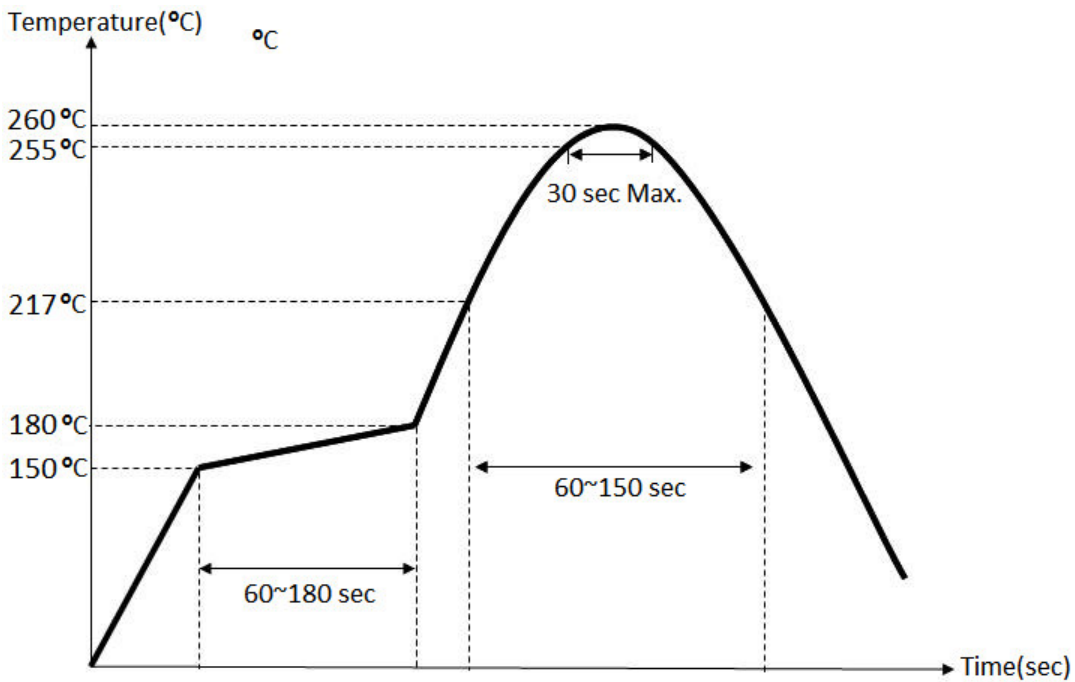
Package is Seam Sealed Ceramic-Metal.
Terminator Pads are Ni/Au.
Dimensions are millimeters.

Carrier Tape Dimensions:



Dimensions are millimeters.

Solder Reflow Characteristics:



How to build a Part Number:

Series	V	Parameter
Package	7	7.0 x 5.0 mm - 6 Pad
Supply Voltage	5	+5.0 VDD \pm 10%
	33	+3.3 VDD \pm 10%
Temperature Stability	10	\pm 100 ppm
	05	\pm 50 ppm
	025	\pm 25 ppm
Frequency Pulling Range	150	\pm 150 ppm
	100	\pm 100 ppm
	50	\pm 50 ppm
Duty Cycle	See Notes	40%~60%
	T	45%~55%
Frequency	1.000~52.000	MHz
Temperature Range	See Notes	-20 ~ +70 °C
	X	-40 ~ +85 °C
Packaging	M	250pcs Reel
	R	1000pcs Reel

Part Number Example:

V73305100T-25.000-X-R

V7: 7.0 x 5.0 mm SMD Package - 6 Pad VCXO

33: +3.3 \pm 10% VDD Supply Voltage

05: \pm 50 ppm Temperature Stability

100: \pm 100 ppm Min. Frequency Pulling Range

T: 45%~55% Tight Symmetry

25.000 MHz Nominal Frequency

X: -40 ~ + 85°C Extended Temperature Range

R: Tape and Reel Packaging - 1000pcs Reel

Notes:

- 1- Standard Duty Cycle and Temperature Range do not need to be included in Part Number description.
- 2- Product is shipped in Tape and Reel configuration.
- 3- Quantities less than 250pcs are shipped in tape only.
- 4- Specification subject to change without notice.