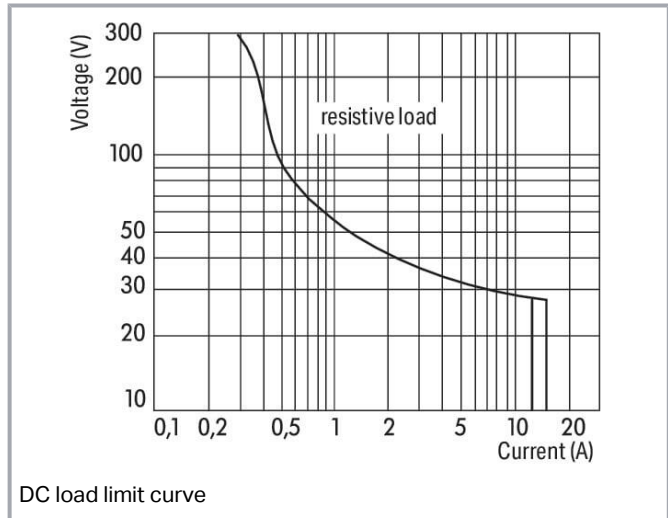
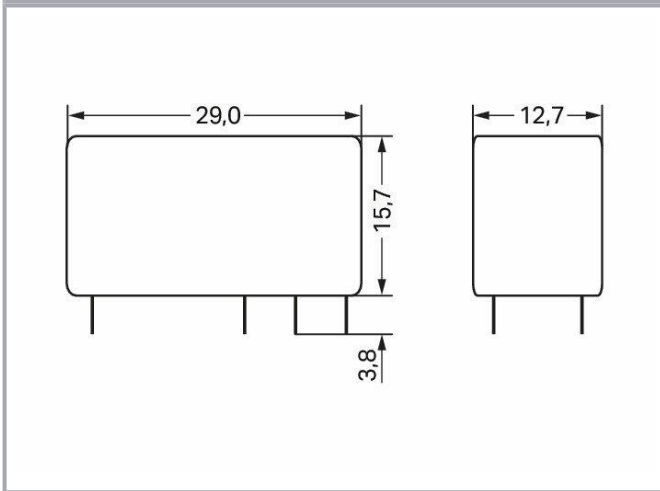
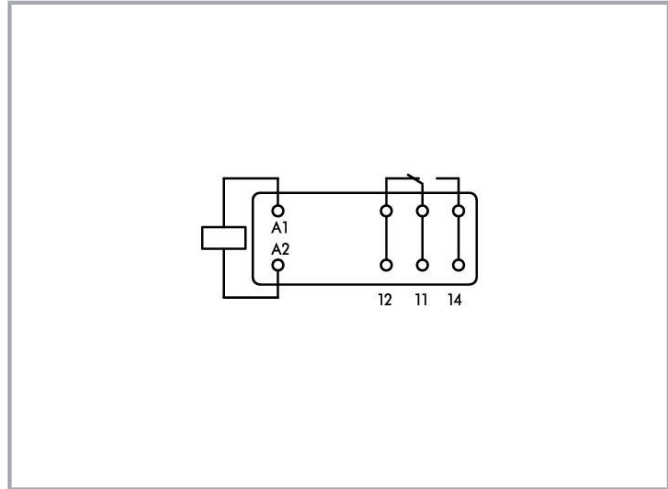
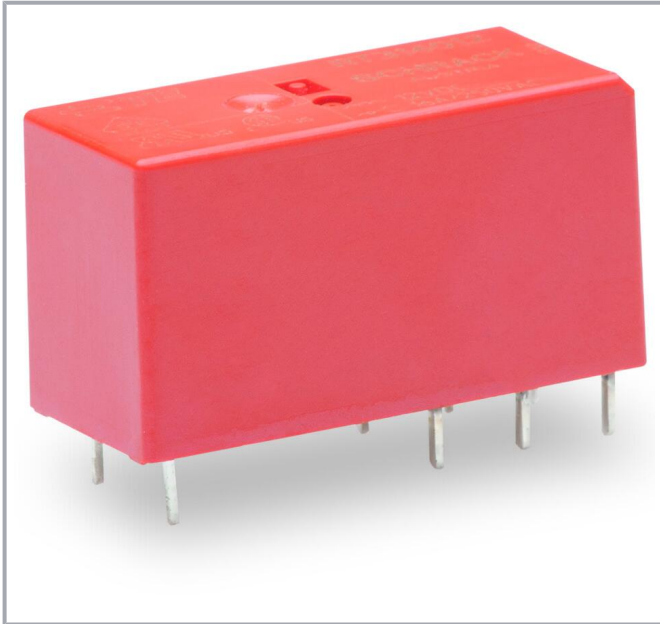


**Data sheet | Item number: 788-150**

Basic relay; Nominal input voltage: 12 VDC; 1 changeover contact; Limiting continuous current: 16 A; Module width: 13 mm; Module height: 15 mm



[www.wago.com/788-150](http://www.wago.com/788-150)



**Data**  
**Technical data**

Subject to changes. Please also observe the further product documentation!

WAGO GmbH & Co. KG  
Hansastr. 27  
32423 Minden  
Phone: +49571 887-0 | Fax: +49571 887-169  
Email: [info.de@wago.com](mailto:info.de@wago.com) | Web: [www.wago.com](http://www.wago.com)

Do you have any questions about our products?  
We are always happy to take your call at +49 (571) 887-44222.

### Control circuit

Nominal input voltage $U_N$	DC 12 V
Nominal input current at $U_N$	34 mA

### Load circuit

Number of changeover/switchover contacts	1
Contact material (relay)	AgNi 90/10
Limiting continuous current	16 A
Inrush current (resistive) max.	(AC) 30 A / 4 s
Switching voltage (max.)	AC 250 V
Switching power (resistive) max.	AC 4000 VA; DC (see load limit curve)
Switching capacity	AC-15: 6 A / AC 250 V; DC-13: 2 A / DC 24 V
Recommended minimum load	12 V / 10 mA
Pull-in time (typ.)	8 ms
Drop-out time (typ.)	6 ms
Bounce time (typ.)	6 ms
Electrical life (NO; resistive load; 23 °C)	30 x 10 <sup>3</sup> switching operations
Mechanical life	30 x 10 <sup>6</sup> switching operations
Switching frequency with/without load (max.)	6 min <sup>-1</sup> / 1200 min <sup>-1</sup>

### Safety and protection

Dielectric strength (control/load circuit) (AC, 1 min)	5 kVrms
Dielectric strength (open contact) (AC, 1 min)	1 kVrms
Protection type	IP40

### Physical data

Width	12.7 mm / 0.5 inches
Height from the surface	15.7 mm / 0.618 inches
Depth	29 mm / 1.142 inches

### Mechanical data

Mounting type	Pluggable module
---------------	------------------

Subject to changes. Please also observe the further product documentation!



## Material data

Weight	13.1 g
--------	--------

## Environmental requirements

Ambient temperature (operation at U <sub>N</sub> )	-40 ... +85 °C
Ambient temperature (storage)	-40 ... +85 °C

## Standards and specifications

Standards/specifications	EN 61810-1
--------------------------	------------

## Commercial data

Product Group	6 (INTERFACE ELECTRONIC)
eCl@ss 10.0	27-37-16-01
eCl@ss 9.0	27-37-16-01
ETIM 8.0	EC001437
ETIM 7.0	EC001437
Recupel Type	
ECCN	NO DATA
PU (SPU)	20 (1) pcs
Packaging type	box
Country of origin	AT
GTIN	4045454303778
Customs tariff number	85364900990

## Environmental Product Compliance

CAS-No.	80-05-7
REACH Candidate List Substance	4,4'-isopropylidenediphenol
RoHS Compliance Status	Compliant, No Exemption
SCIP notification number (Austria)	18bfe4fa-b008-427c-b15b-005361886a99
SCIP notification number (Belgium)	e91f83d8-da3f-43db-b336-4a6e9367ef01
SCIP notification number (Bulgaria)	3231c056-0dc6-471a-8612-5dd068f93069
SCIP notification number (Czech Republic)	b5e76aee-b4d0-4726-bfa3-fb98efd07dce
SCIP notification number (Denmark)	84d9da31-eeb7-4ee0-947d-c9b6c5cef632
SCIP notification number (Finland)	99b62071-bf0e-4bd4-a895-cbb87e6741d2
SCIP notification number (France)	0b11b22d-17ce-4d3d-a984-27cec09bfb7d

Subject to changes. Please also observe the further product documentation!

WAGO GmbH & Co. KG  
 Hansastr. 27  
 32423 Minden  
 Phone: +49571 887-0 | Fax: +49571 887-169  
 Email: [info.de@wago.com](mailto:info.de@wago.com) | Web: [www.wago.com](http://www.wago.com)

Do you have any questions about our products?  
 We are always happy to take your call at +49 (571) 887-44222.

SCIP notification number (Germany)	ee20dc5f-eab2-4a3c-9d1c-b9b215dd3cd3
SCIP notification number (Hungary)	49c9b9dd-4870-4b2d-8966-3e9040bf0a09
SCIP notification number (Italy)	473eb418-9a30-4e35-aea3-e973e47ed06d
SCIP notification number (Netherlands)	b0eb66fa-4b0f-43ad-a498-0cfb02586618
SCIP notification number (Poland)	2bb86ee7-0ec5-4806-9cd1-9c73f3def593
SCIP notification number (Romania)	9f151eff-ea38-4caa-aedf-ec6f2f1189ca
SCIP notification number (Sweden)	bb4a7814-72d8-4cd1-81c6-ee8a2faefd45

## Optional accessories

### Sockets

Socket without relay



Item no.: 788-100

Relay socket; 1 changeover contact; for 15 mm basic relays; gray

[www.wago.com/788-100](http://www.wago.com/788-100)

## Downloads

### Documentation

#### Bid Text

788-150 docx - Datei	2019 Feb 20	docx 15.6 kB	Download
788-150 X81 - Datei	2019 Feb 19	xml 3.6 kB	Download

#### Additional Information

Disposal and Recycling Electrical and electronic equipment, Batteries, Packaging	V 1.1.0 2022 Aug 18	pdf 2.2 MB	Download
---	------------------------	---------------	----------

## CAD/CAE-Data

### CAE data

WSCAD Universe 788-150	URL	Download
------------------------	-----	----------

### CAD data

2D/3D Models 788-150	URL	Download
----------------------	-----	----------

Subject to changes. Please also observe the further product documentation!

WAGO GmbH & Co. KG  
Hansastr. 27  
32423 Minden  
Phone: +49571 887-0 | Fax: +49571 887-169  
Email: [info.de@wago.com](mailto:info.de@wago.com) | Web: [www.wago.com](http://www.wago.com)

Do you have any questions about our products?  
We are always happy to take your call at +49 (571) 887-44222.



### Asset Administration Shell

---

Asset Administration Shell 788-150	URL	Download
------------------------------------	-----	----------

---

### Environmental Product Compliance

#### Compliance Search

---

Environmental Product Compliance 788-150	URL	Download
--	-----	----------

---

Basic relay; Nominal input voltage: 12 VDC; 1 changeover contact; Limiting continuous current: 16 A; Module width: 13 mm; Module height: 15 mm

---

### Installation Notes

Subject to changes. Please also observe the further product documentation!