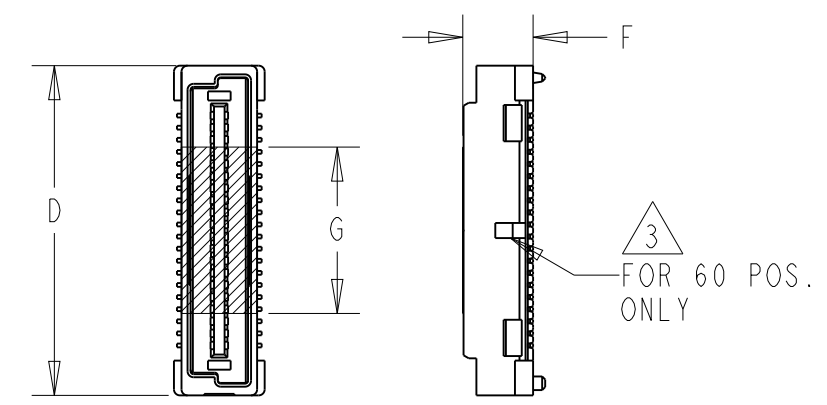
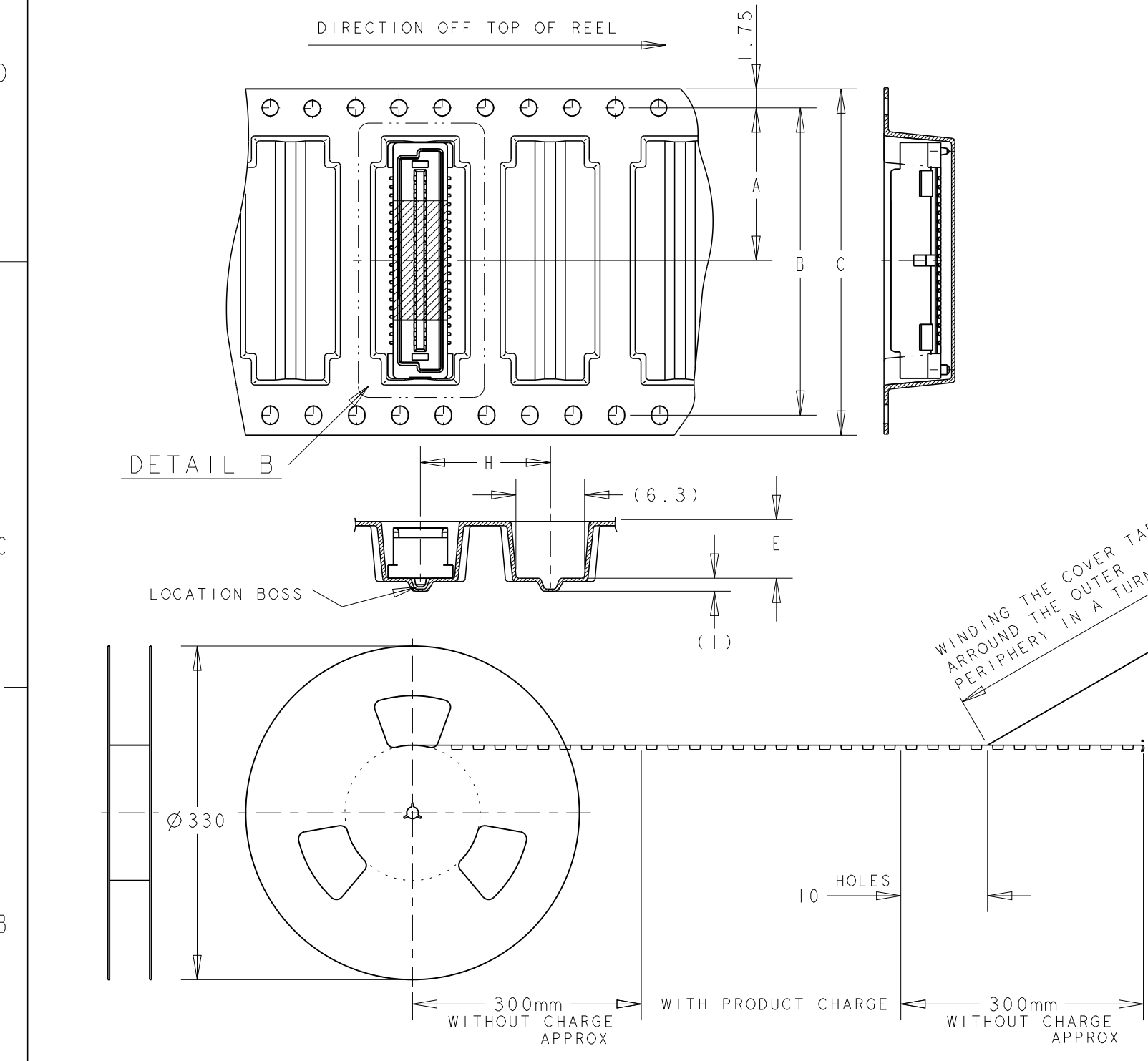


THIS DRAWING IS UNPUBLISHED. RELEASED FOR PUBLICATION .19
 © COPYRIGHT 19 BY AMP INCORPORATED. ALL RIGHTS RESERVED.

LOC	DIST	REVISIONS					
		P	LTR	DESCRIPTION	DATE	DWN	APVD
DY	-		02	REVISED PER ECR-11-021926	28OCT2011	SYJ	LSF

- NOTES:
- MATERIAL:
HOUSING: HIGH TEMP THERMOPLASTICS UL94-V0
CONTACTS: COPPER ALLOY
 - FINISH:
UNDERPLATE: 1.3um MIN NICKEL
MATING AREA: 0.2um MIN AU
SOLDERTAIL: 1.0um MIN MATTE TIN
 - CUTOUT FEATURE AVAILABLE ONLY ON P/N -2.
 - OBsolete PARTS: OBSOLETE CIS STREAMLINING PER D.RENAUD/S.SINISI



ACTIVE	650	5H	16	11	4.65	5.25	53.8	72	68.4	34.2	120	5177984-5	6735313-5
ACTIVE	650	5H	16	11	4.65	5.25	45.8	72	68.4	34.2	100	5177984-4	6735313-4
3 4	900	5H	16	11	4.65	5.25	29.8	44	40.4	20.2	60	5177984-2	6735313-2
REMARKS	QTY	HEIGHT TYPE	H	G	F	E	D	C	B	A	POS	CONN P/N	PART NO

THIS DRAWING IS A CONTROLLED DOCUMENT FOR AMP INCORPORATED. IT IS SUBJECT TO CHANGE AND THE CONTROLLING ENGINEERING ORGANIZATION SHOULD BE CONTACTED FOR THE LATEST REVISION.

DWN WYLEE 8JUN05
 CHK YJ SEE
 APVD SE LEONG
 PRODUCT SPEC 108-5390
 APPLICATION SPEC 114-5254
 WEIGHT -

STE TE CONNECTIVITY Singapore

NAME ON TAPING (EMBOSS) FOR FH0.8 BTB PLUG ASSY WITH POLYIMIDE FILM (0.5 BOSS LENGTH, H=5mm) LF

SIZE A3 CAGE CODE 00779 DRAWING NO C-6735313

CUSTOMER DRAWING SCALE 2:1 SHEET 1 OF 1 REV 02