

插入型絕緣/金屬軸式編碼規則

RV 09 A X F - 40 E1 - 20 F X - B 5K - X X XXX
1 2 3 4 5 6 7 8 9 10 11 12 13 14 15

1. Product Line

RV Rotary Potentiometer

2. Model

3. Structure Difference

4. Derivatives

5. RoHS Version

F indicates RoHS Compliance

6. Type of Terminal

| Code | Type of Terminal |
|------|---------------------------|
| 10 | Solder lug |
| 20 | PC board (horizontal) |
| 30 | PC board (vertical);front |
| 40 | PC board (vertical);back |

7. Type of Bushing

8. Shaft Length

9. Type of Shaft

10. Axis Angle of F-type Shaft

11. Pattern of Resistance Curve

12. Resistance Value

13. Materials & Methods for Manufacturing Shaft & Bushing

14. Number of Click

| Code | Specification |
|------|--------------------|
| 0 | None |
| C | Center Click |
| D | 11 Positions click |
| E | 21 Positions click |
| F | 41 Positions click |

15. Serial No.

訂單指定事項：

開立訂單時，用途請依下表記載予以指定製品之規格詳細記載並確認之。

項目：

1. 型號。
2. 公稱阻值及線性要求。
3. 軸型及長度。
4. 端子型式。
5. 段點的有無。
6. 中間抽頭的有無。
7. 音量用或其他。
8. 手焊錫或錫爐焊錫。

ORDERING INSTRUCTIONS

WHEN PLACING YOUR ORDER, PLEASE SPECIFY THE FOLLOWING ITEMS ACCORDING TO YOUR APPLICATION NEEDS. FOR MORE INFORMATION ABOUT OUR PRODUCTS, PLEASE REFER TO THE SPECIFICATION GIVEN ON THE FOLLOWING PAGES.

ITEMS：

1. MODEL.
2. NORMAL RESISTANCE VALUE AND TAPER.
3. SHAFT STYLE AND LENGTH.
4. TERMINAL STYLE.
5. WITH CLICK OR WITHOUT CLICK, CLICK POSITION
6. WITH TAP OR WITHOUT TAP, TAP POSITION.
7. FOR VOLUME CONTROL OR OTHER USE.
8. MANUAL SOLDERING OR DIP SOLDERING.

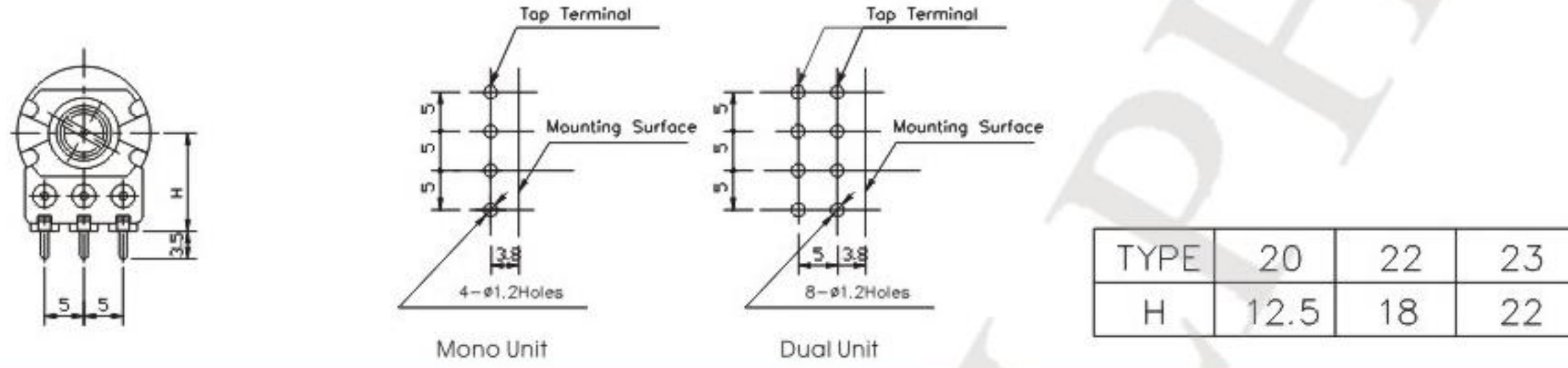
| Model | Outline Drawing | Features / Individual Specification |
|-------------|-----------------|-------------------------------------|
| RV16AF-10B6 | | <p>300° rotation mono unit</p> |
| RV16AF-20 | | <p>300° rotation mono unit</p> |
| RV16AF-30 | | <p>300° rotation mono unit</p> |
| RV16AF-41 | | <p>300° rotation mono unit</p> |
| RV16ARF-20 | | <p>300° rotation mono unit</p> |

Dual Gang (RV16AR1F) is also available

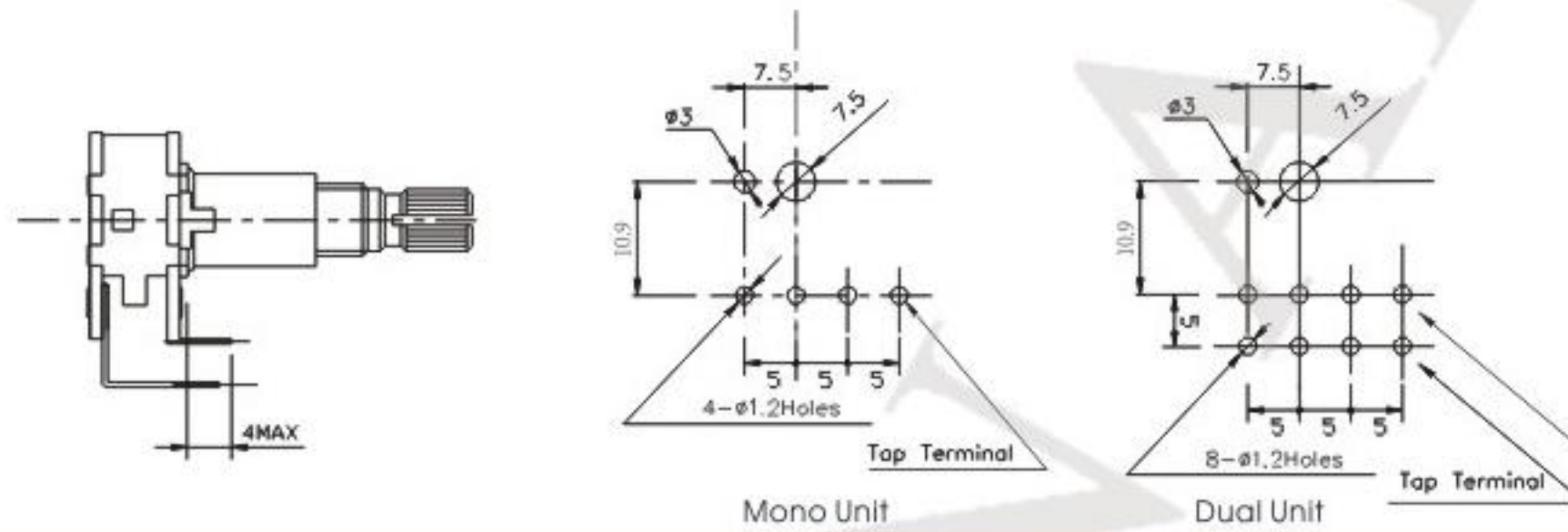
For Shaft & Bushing Dimension please refer to page(69)
For PCB Mounting Hole Detail please refer to page(45)

P.C.B. MOUNTING HOLE DETAIL AND TERMINAL DIMENSIONS

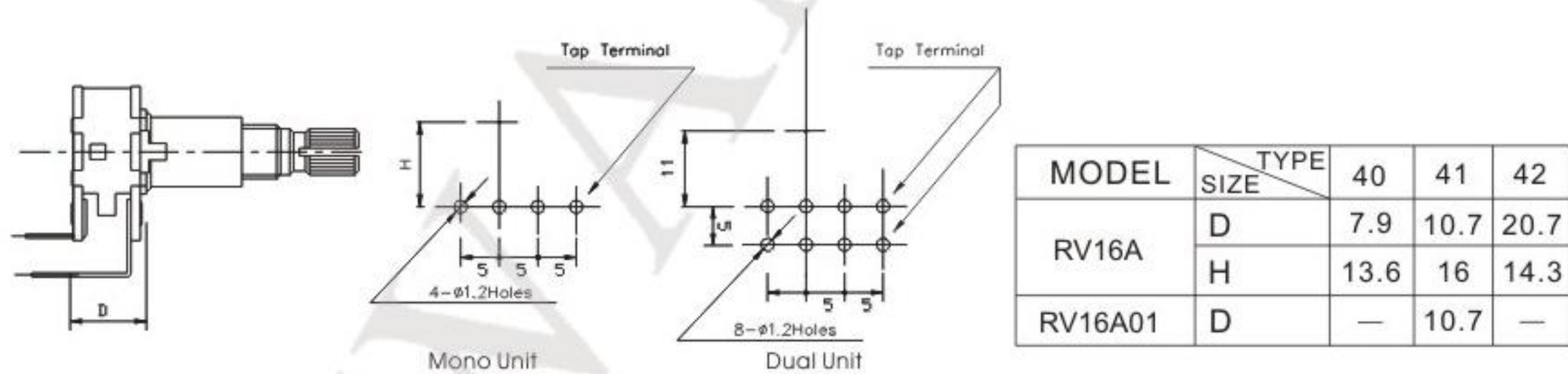
20 Type Terminal (PH Terminal)



30 Type Terminal (PV Terminal)



40 Type Terminal (UPV Terminal)



RV16AF

MECHANICAL

TOTAL ROTATION ANGLE 300° ±5°
 ROTATION TORQUE 20-200 gf.cm
 SHAFT STOP STRENGTH 6kgf.cm/Min.
 CLICK POSITION Center, 11, 21 or 41 positions
 CLICK TORQUE 100-400 gf.cm


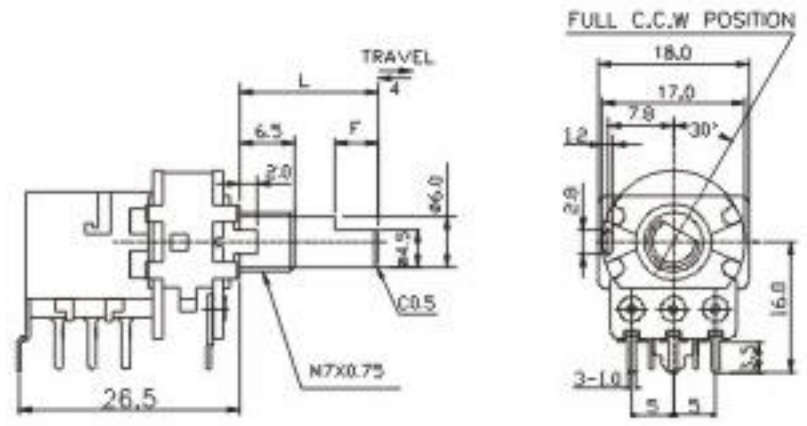
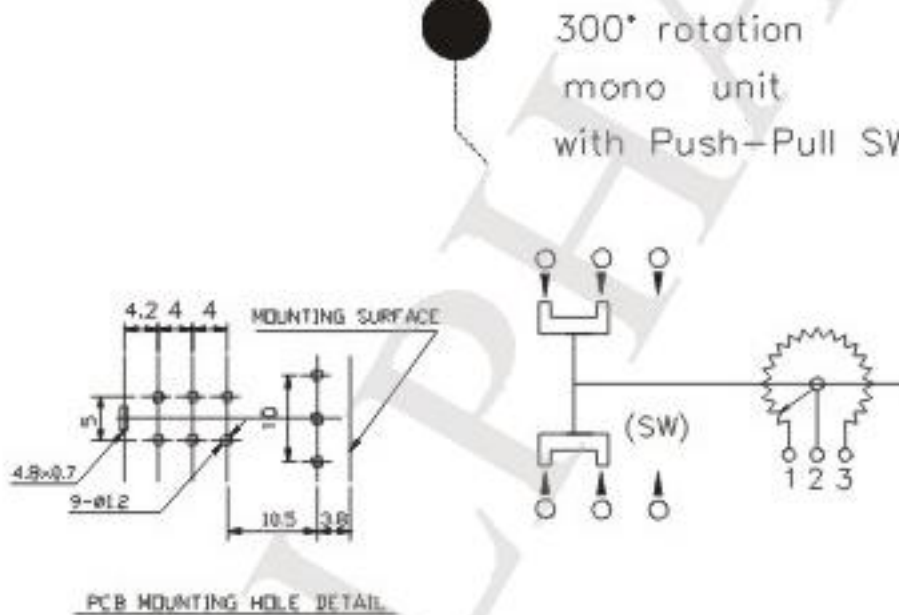

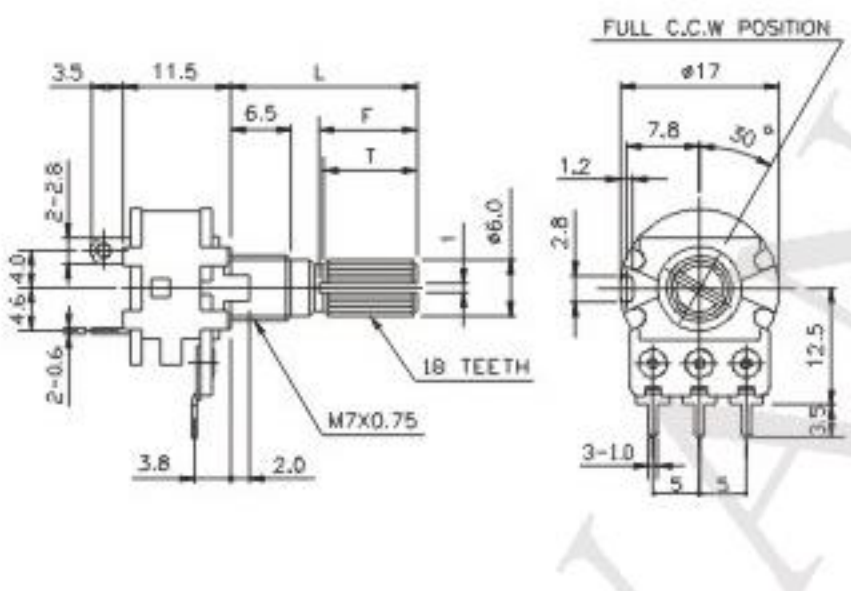
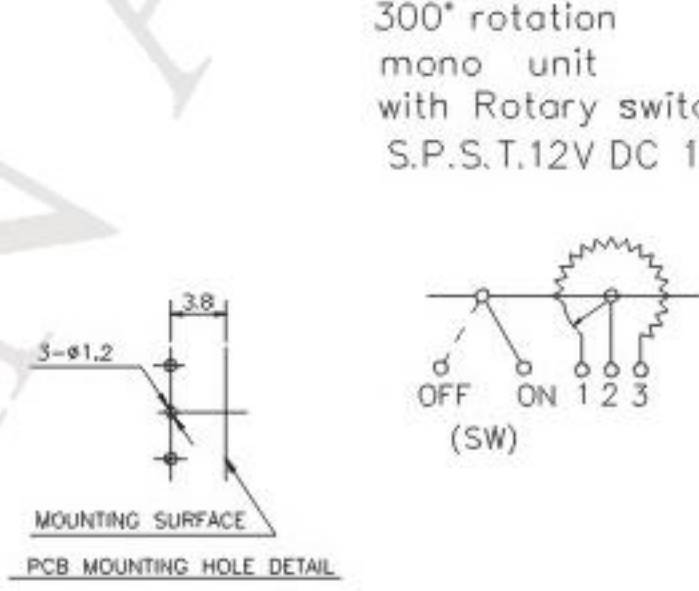

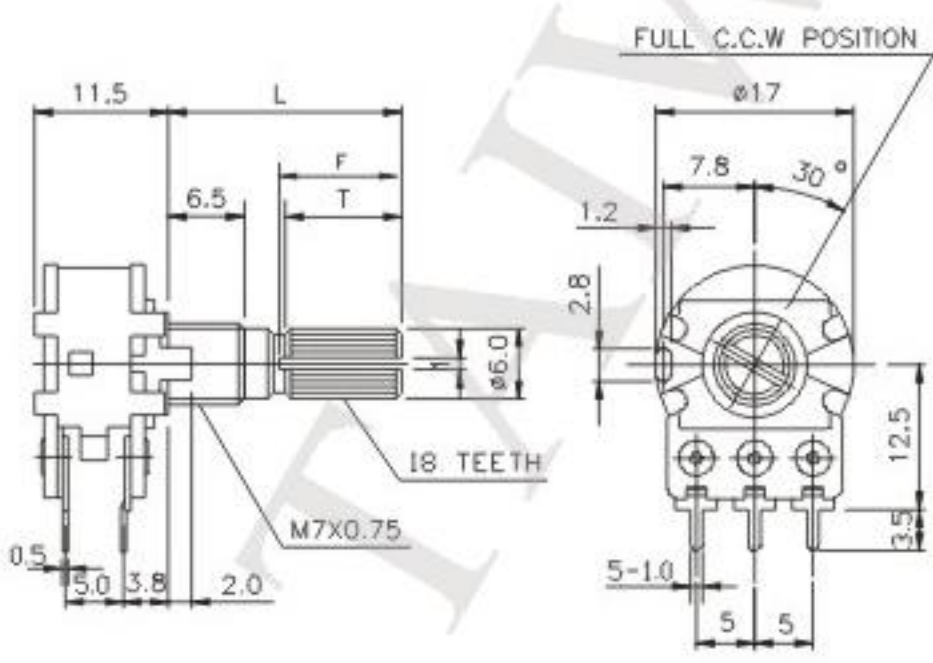
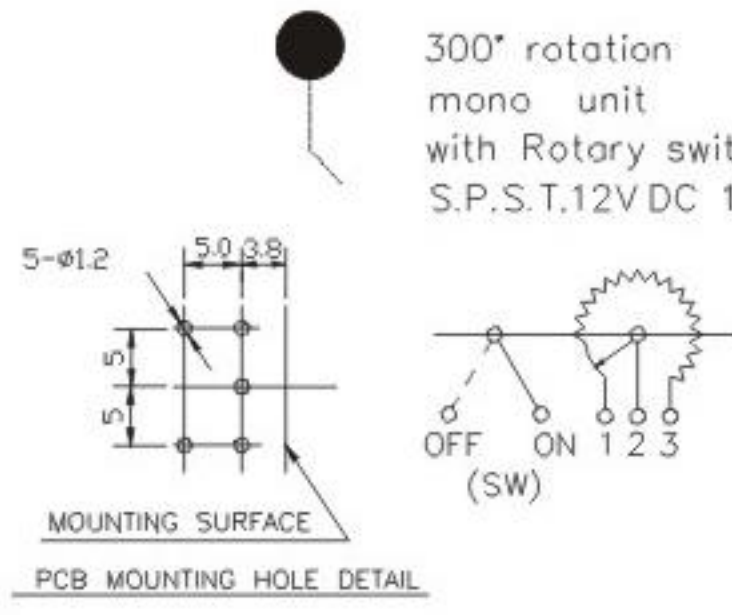
ELECTRICAL

RATED WATTAGE
 RATED VOLTAGE
 INSULATION RESISTANCE
 DIELECTRIC STRENGTH
 TAP POSITION
 TRACKING ERROR

linear taper (B) other tapers
 0.125W 0.06W
 200V AC 150V AC
 more than 100MΩ at 500V DC
 500V AC, 1 minute
 50%(150°)
 volume control: -40~0dB±3dB
 tone, balance control: ±2dB at 50% point

For Shaft & Bushing Dimension please refer to page(69)

16mm METAL SHAFT WITH SWITCH SERIES

| Model | Outline Drawing | Features / Individual Specification |
|--|--|---|
| RV16BF-20(D.P.D.T Switch) (S.P.D.T is also available)  |  |  <p>300° rotation mono unit with Push-Pull SW</p> |
| Dual Gang(RV16B01F) is also available | | |
| RV16A04F-20  |  |  <p>300° rotation mono unit with Rotary switch S.P.S.T.12V DC 1A</p> |
| RV16A03F-20  |  |  <p>300° rotation mono unit with Rotary switch S.P.S.T.12V DC 1A</p> |

SPECIFICATION

MECHANICAL

TOTAL ROTATION ANGLE
 ROTATION TORQUE
 SHAFT STOP STRENGTH
 SWITCH WORKING ANGLE/STROKE
 SWITCH WORKING TORQUE/FORCE
 SWITCH CIRCUIT

RV16BF
 300°±5°
 20-200 gf.cm
 6kgf.cm/Min.
 4mm
 800gf.cm Max.
 D.P.D.T. S.P.D.T.

RV16A04F & RV16A03F
 300°±5°
 20-200 gf.cm
 6kgf.cm/Min.
 50°±10°
 50-450gf.cm
 S.P.S.T.

ELECTRICAL

RATED WATTAGE
 RATED VOLTAGE
 INSULATION RESISTANCE
 DIELECTRIC STRENGTH
 SWITCH CONTACT RESISTANCE
 SWITCH RATING
 ROTATION LIFE
 SWITCH LIFE

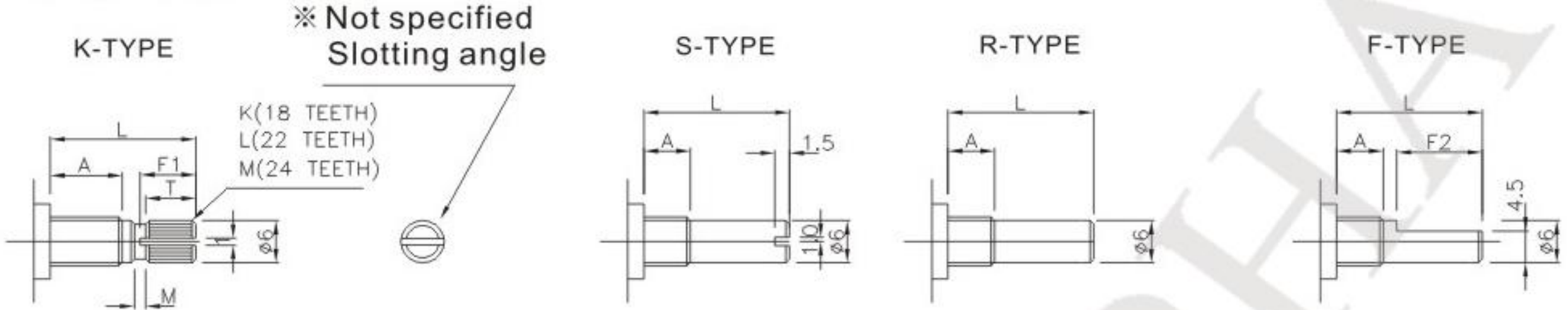
Linear taper (B) other tapers
 0.2W 0.1W
 200V 150V
 more than 100MΩ at 500V DC
 500V AC, 1 minute
 less than 20mΩ
 30V DC, 0.3A
 15,000 cycles
 10,000 cycles

linear taper (B) other tapers
 0.2W 0.1W
 200V 150V
 more than 100MΩ at 500V DC
 500V AC, 1 minute
 less than 50mΩ
 12V DC, 1A
 15,000 cycles
 10,000 cycles

For Shaft & Bushing Dimension please refer to page(69)

STANDARD SHAFT, BUSHING, NUT AND WASHER DIMENSION

METAL SHAFT



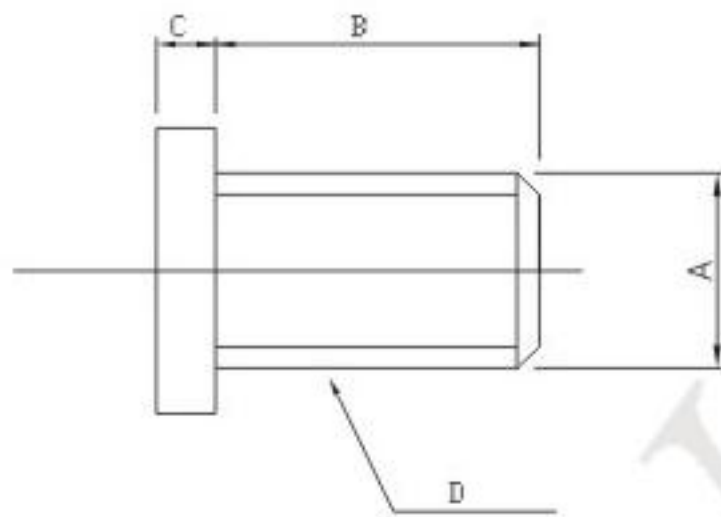
A: 5m/m

| SHAFT-TYPE | L | 10 | 15 | 20 | 25 | 30 | 35 | 40 |
|------------|----|-----|-----|----|----|----|----|----|
| K | F1 | 3.5 | 6.5 | 11 | 14 | 14 | 14 | 14 |
| | T | 3.2 | 6 | 10 | 12 | 12 | 12 | 12 |
| | M | 0.5 | 1 | 2 | 4 | 4 | 4 | 4 |
| F | F2 | 4 | 7 | 12 | 14 | 14 | 14 | 14 |
| R, S | L | 10 | 15 | 20 | 25 | 30 | 35 | 40 |

A: 6.5m/m

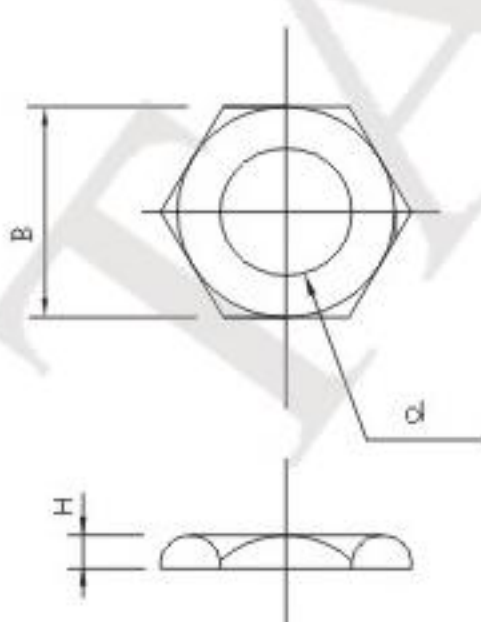
| SHAFT-TYPE | L | 10 | 15 | 20 | 25 | 30 | 35 | 40 |
|------------|----|-----|-----|----|----|----|----|----|
| K | F1 | 2.4 | 6.5 | 11 | 14 | 14 | 14 | 14 |
| | T | 2.2 | 6 | 10 | 12 | 12 | 12 | 12 |
| | M | 0.5 | 1 | 2 | 4 | 4 | 4 | 4 |
| F | F2 | 2.5 | 7 | 12 | 14 | 14 | 14 | 14 |
| R, S | L | 10 | 15 | 20 | 25 | 30 | 35 | 40 |

BUSHING

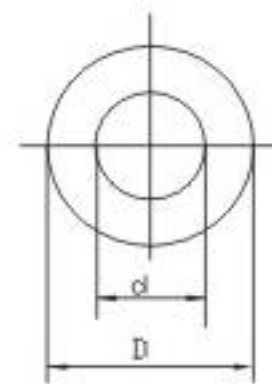


| SERIES | RV24A | RV170 | RV16A | RV060 | RV120 | RV122 |
|--------|---------|---------|---------|---------|---------|---------|
| A | φ8 | φ7 | φ7 | φ9 | φ7 | 7 |
| B | 6.5 | 5 | 6.5 | 7 | 7 | 7 |
| C | 2 | 1 | 1.4 | 0.7 | 3.3 | 3.3 |
| D | M8x0.75 | M7x0.75 | M7x0.75 | M9x0.75 | M7x0.75 | M7x0.75 |

NUT, WASHER




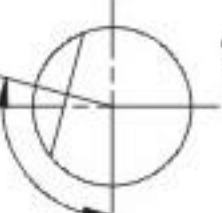
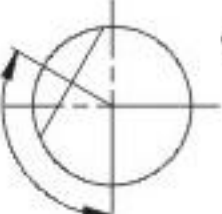
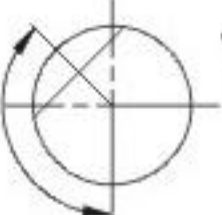
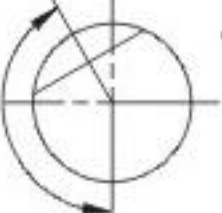
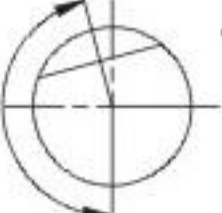
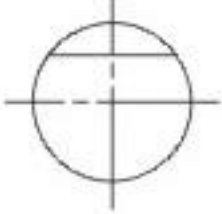

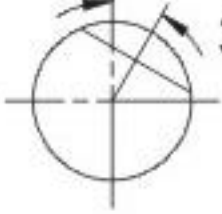



| d | B | H |
|-----------|------|-----|
| M6x0.75 | 8 | 2.0 |
| M7x0.75 | 10 | 2.0 |
| M8x0.75 | 11 | 2.0 |
| M9x0.75 | 12 | 2.0 |
| M10x0.75 | 14 | 2.0 |
| 3/8"32NEF | 12.6 | 2.2 |







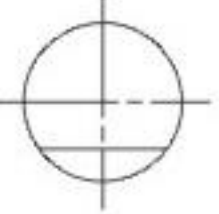


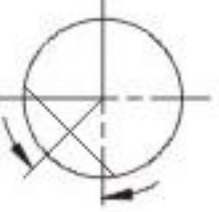

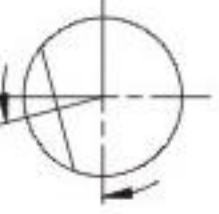


| SERIES | d | D | H |
|-----------|-------|-------|-----|
| M6 | φ6.1 | φ10 | 0.4 |
| M7 | φ7.1 | φ12 | 0.4 |
| M8 | φ8.1 | φ14 | 0.4 |
| M9 | φ9.1 | φ14 | 0.4 |
| M10 | φ10.2 | φ14.8 | 0.5 |
| 3/8"32NEF | φ9.7 | φ16 | 0.4 |

AXIS ANGLE OF F-TYPE AND A-TYPE SHAFT

Standard Angle (for 300° rotation)

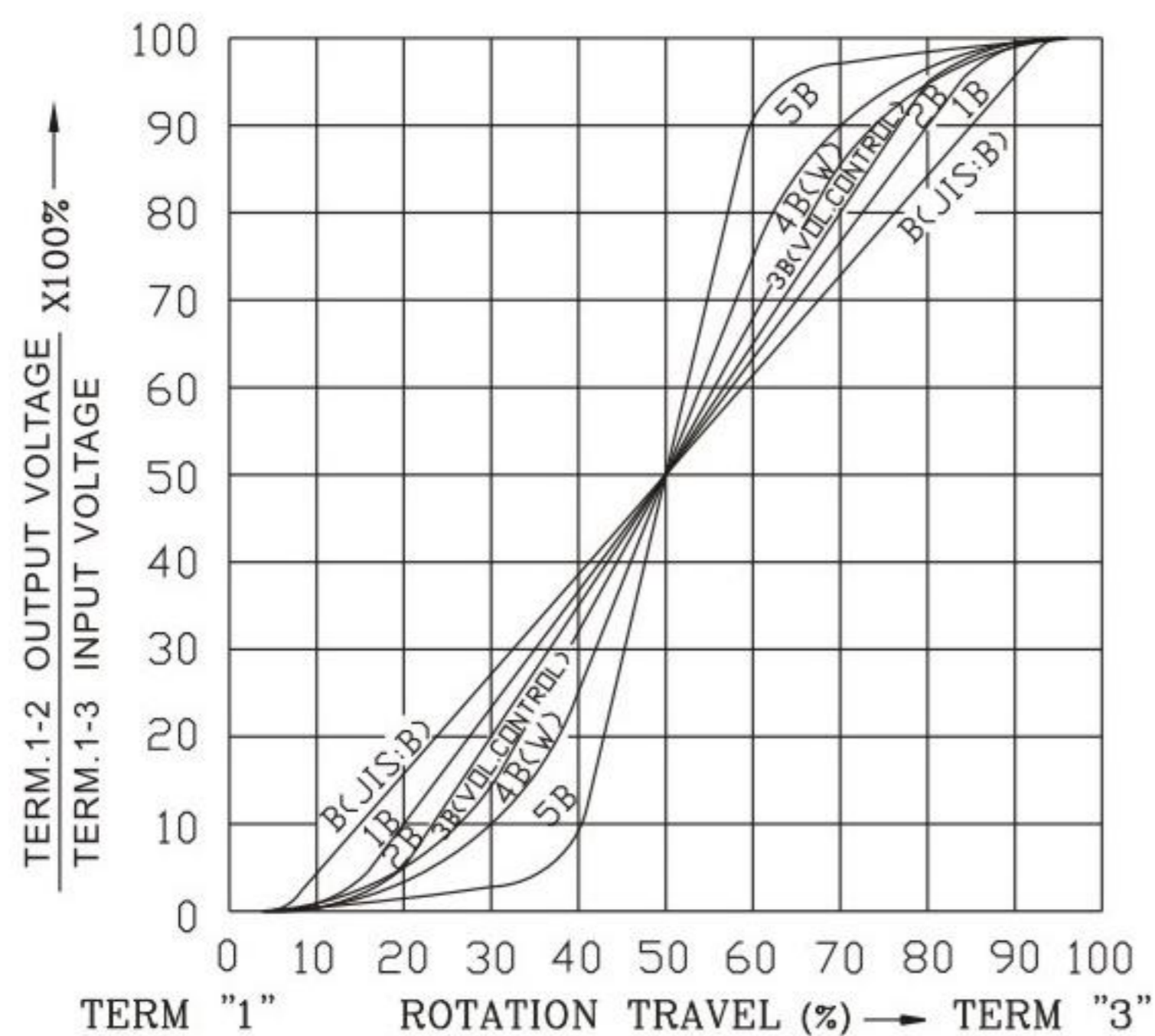
| AXIS Angle | Symbol |
|--|----------|
|  | F00, (O) |
|  105° | F01, (A) |
|  120° | F02, (B) |
|  135° | F03, (C) |
|  150° | F04, (D) |
|  165° | F05, (E) |
|  | F06, (F) |
|  15° | F07, (G) |
|  30° | F08, (H) |
|  45° | F09, (J) |
|  60° | F10, (K) |
|  75° | F11, (L) |

| AXIS Angle | Symbol |
|--|----------|
|  | F12, (M) |
|  105° | F13, (N) |
|  120° | F14, (P) |
|  135° | F15, (Q) |
|  150° | F16, (R) |
|  165° | F17, (S) |
|  | F18, (T) |
|  15° | F19, (V) |
|  30° | F20, (W) |
|  45° | F21, (X) |
|  60° | F22, (Y) |
|  75° | F23, (Z) |

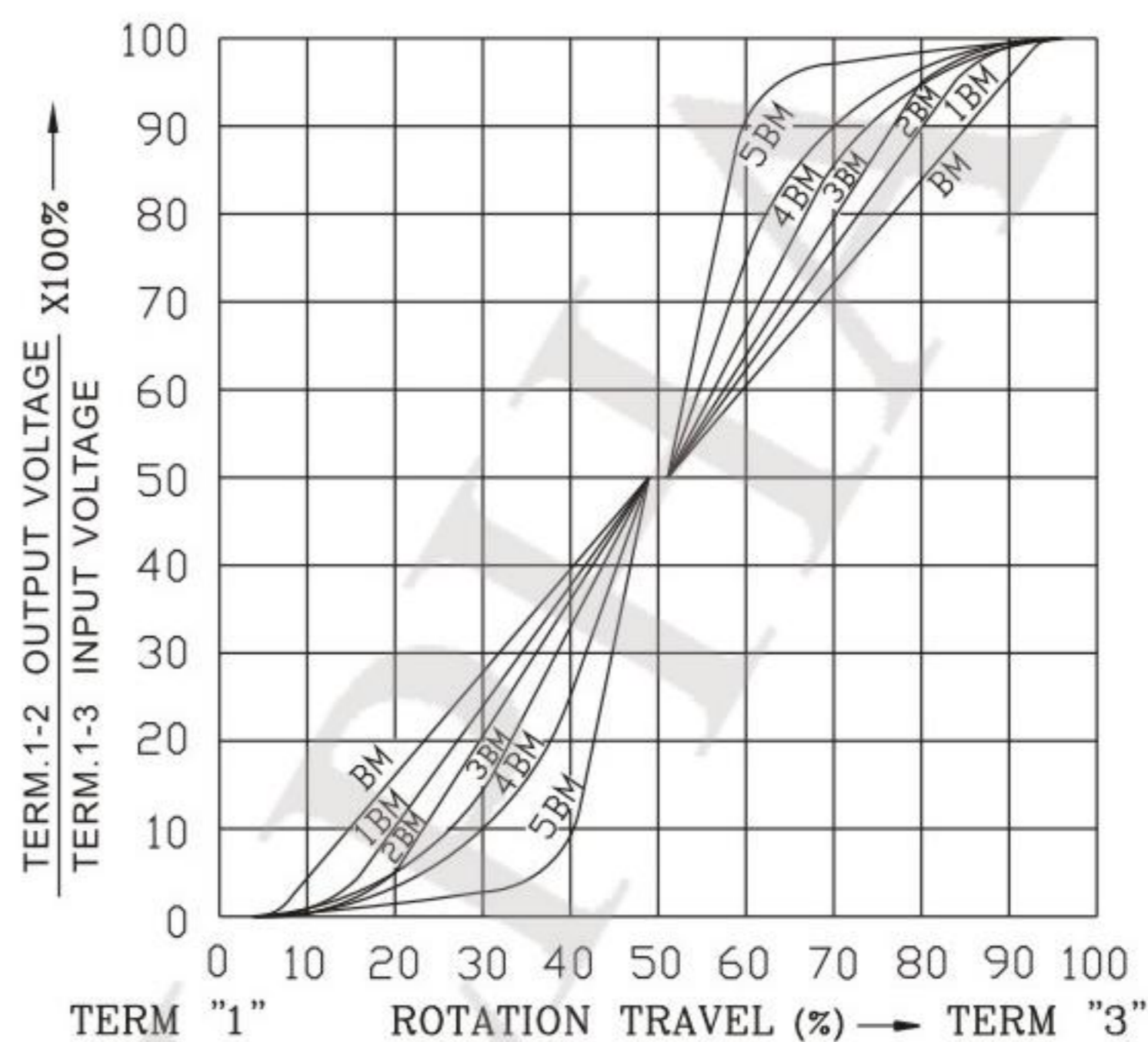
Axis angle is shown in full counter clockwise position

STANDARD RESISTANCE TAPER

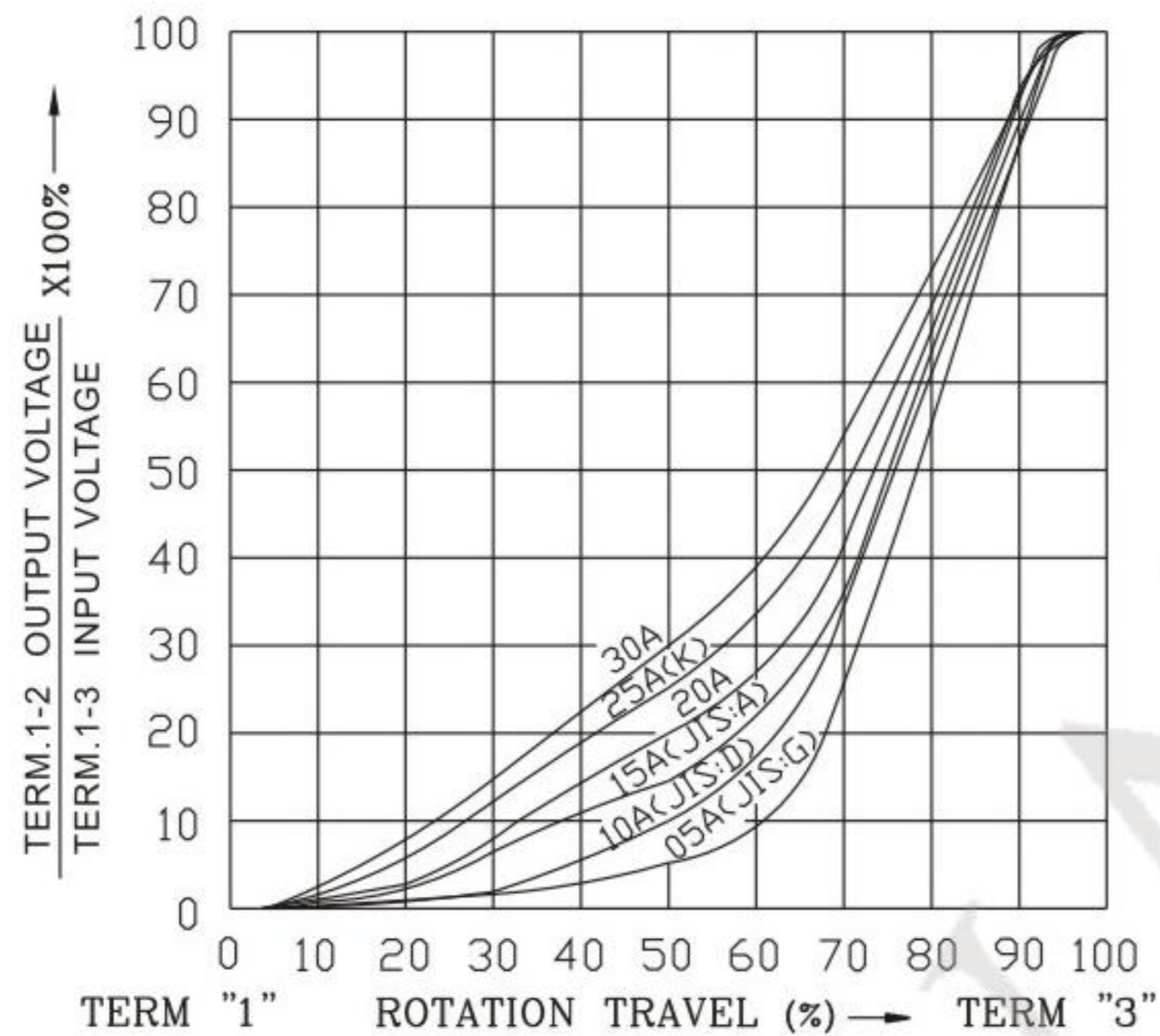
TAPERS B SERIES



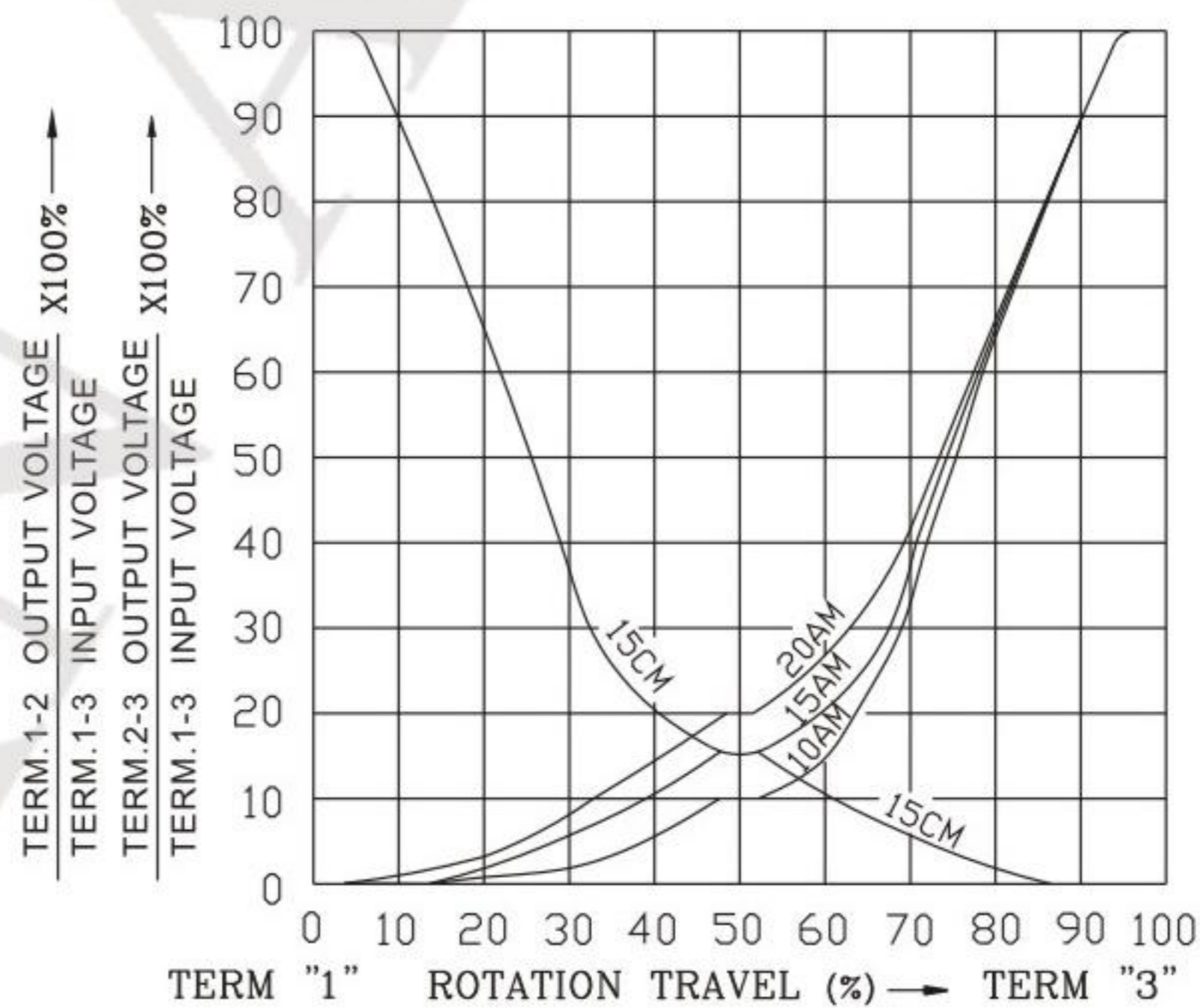
TAPERS B WITH 50% TAP



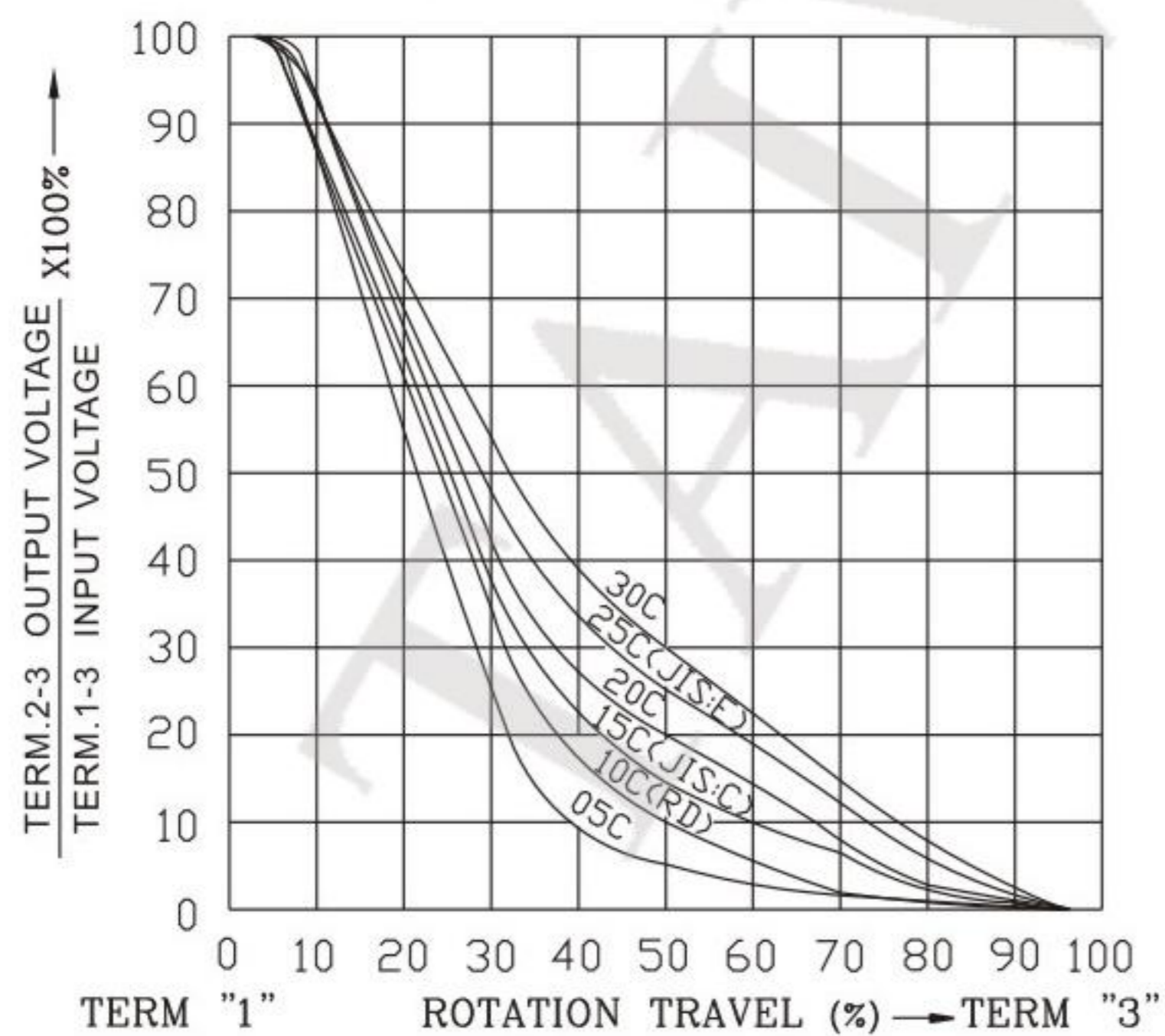
TAPERS A SERIES



TAPERS A & C WITH 50% TAP



TAPERS C SERIES



TAPERS M & N

