

4525DO-DS5AI001DP ✓ ACTIVE

MEAS | MEAS MS4515DO

TE Internal #: 4525DO-DS5AI001DP

Digital Pressure and Altimeter Sensor Modules, Differential, 300 psi, Output/Span 14 bit ADC, $\pm 0.25\%$ Span, Supply Voltage 5 V, MEAS MS4515DO

[View on TE.com >](#)



Sensors > Pressure Sensors > Board Mount Pressure Sensors > PCB MOUNTED DIGITAL PRESSURE SENSOR



Board Level Pressure Sensor Type: **Digital Pressure and Altimeter Sensor Modules**

Board Level Pressure Sensor Style: **Differential**

Pressure: [**300 psi**]

Output/Span: **14 bit ADC**

Board Level Pressure Sensor Accuracy: **$\pm 0.25\%$ Span**

Features

Product Type Features

Board Level Pressure Sensor Type	Digital Pressure and Altimeter Sensor Modules
Board Level Pressure Sensor Style	Differential

Electrical Characteristics

Board Level Pressure Sensor Supply Voltage	5 V
--	-----

Dimensions

Dimensions	12.5 x 9.9 mm [.49 x .39 in]
------------	------------------------------

Usage Conditions

Operating Temperature Range	-10 – 85 °C [14 – 185 °F]
-----------------------------	---------------------------

Operation/Application

	300 psi
Output/Span	14 bit ADC
Board Level Pressure Sensor Accuracy	$\pm 0.25\%$ Span

Packaging Features

Board Level Pressure Sensor Package	8 pin DIL
-------------------------------------	-----------

Other

Sensor Options	No Option
----------------	-----------



Product Compliance

[For compliance documentation, visit the product page on TE.com>](#)

EU RoHS Directive 2011/65/EU	Compliant
EU ELV Directive 2000/53/EC	Compliant
China RoHS 2 Directive MIIT Order No 32, 2016	No Restricted Materials Above Threshold
EU REACH Regulation (EC) No. 1907/2006	Current ECHA Candidate List: JUNE 2023 (235) Candidate List Declared Against: JUNE 2023 (235) Does not contain REACH SVHC
Halogen Content	Not Yet Reviewed for halogen content
Solder Process Capability	Not reviewed for solder process capability

Product Compliance Disclaimer

This information is provided based on reasonable inquiry of our suppliers and represents our current actual knowledge based on the information they provided. This information is subject to change. The part numbers that TE has identified as EU RoHS compliant have a maximum concentration of 0.1% by weight in homogenous materials for lead, hexavalent chromium, mercury, PBB, PBDE, DBP, BBP, DEHP, DIBP, and 0.01% for cadmium, or qualify for an exemption to these limits as defined in the Annexes of Directive 2011/65/EU (RoHS2). Finished electrical and electronic equipment products will be CE marked as required by Directive 2011/65/EU. Components may not be CE marked. Additionally, the part numbers that TE has identified as EU ELV compliant have a maximum concentration of 0.1% by weight in homogenous materials for lead, hexavalent chromium, and mercury, and 0.01% for cadmium, or qualify for an exemption to these limits as defined in the Annexes of Directive 2000/53/EC (ELV). Regarding the REACH Regulation, the information TE provides on SVHC in articles for this part number is based on the latest European Chemicals Agency (ECHA) 'Guidance on requirements for substances in articles' posted at this URL: <https://echa.europa.eu/guidance-documents/guidance-on-reach>

Compatible Parts

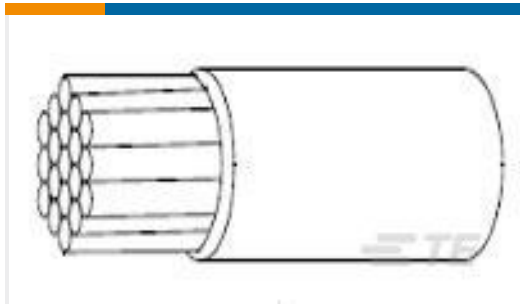


Also in the Series | [MEAS MS4515DO](#)



Board Mount Pressure Sensors(35)

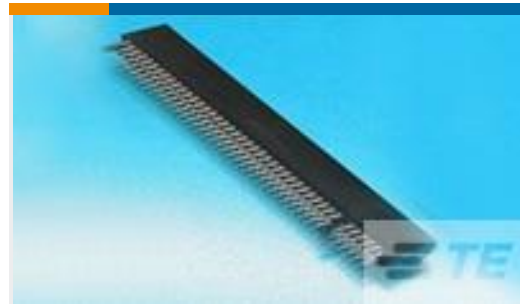
Customers Also Bought



TE Part #216001-005
55A0111-22-9



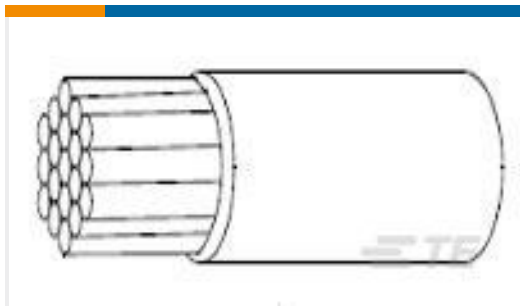
TE Part #2-1879378-3
TLR 2512 3.0W R0015 1% 50PPM 2K RL



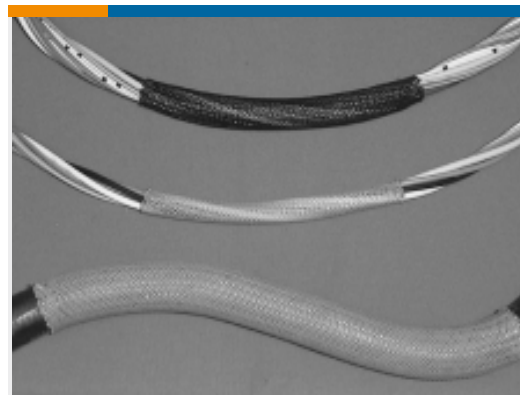
TE Part #2-5530843-0
CONN SEC II 40 POS 100C/L



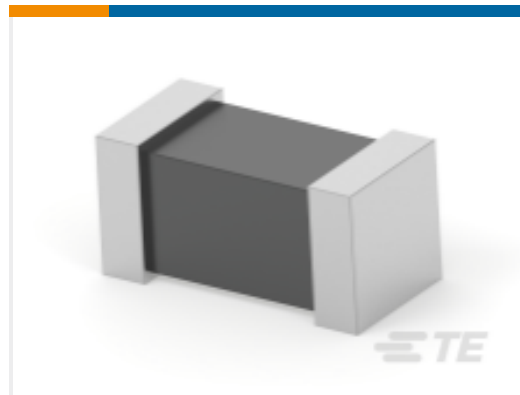
TE Part #1-1879417-1
CPF 0603 470K 0.1% 25PPM 1K RL



TE Part #216026-007
55A0111-24-9



TE Part #CH02024001
VERSAFLEX-1/4-0-SP



TE Part #1-2176491-1
BMC 0201 220R 25% A Gen C



TE Part #764619-000
CWT-7-W122-5



TE Part #1-1437559-8
MTG206N=SWITCH TOG MUSTANG



TE Part #ANT-916-CW-RAH-SMA
Antenna 1/4 Wave R-Angle 916MHz
SMA

Documents

CAD Files

[3D PDF](#)

[3D](#)

Customer View Model

[ENG_CVM_CVM_4525DO-DS5AI001DP_D.2d_dxf.zip](#)

English

Customer View Model

[ENG_CVM_CVM_4525DO-DS5AI001DP_D.3d_igs.zip](#)



English

Customer View Model

[ENG_CVM_CVM_4525DO-DS5AI001DP_D.3d_stp.zip](#)

English

By downloading the CAD file I accept and agree to the [Terms and Conditions](#) of use.

Datasheets & Catalog Pages

[Data sheet](#)

English