

## TUNING FORK CYLINDRICAL CRYSTAL (3.1 x 8.3mm)

### FEATURES:

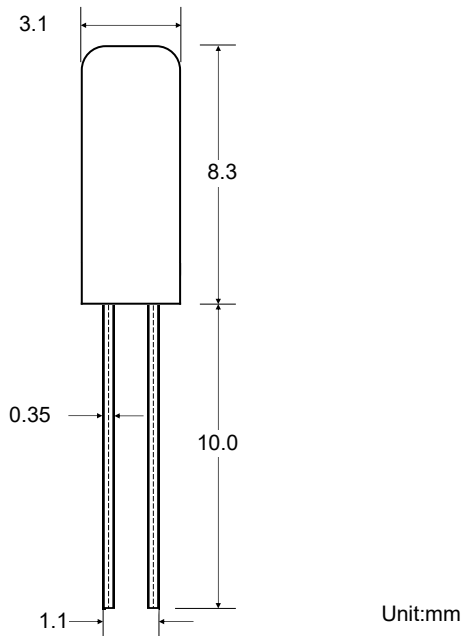
- MINIATURE TUNING FORK CRYSTAL
- LOW FREQUENCY FROM 30kHz ~ 350kHz
- WATCH FREQUENCY



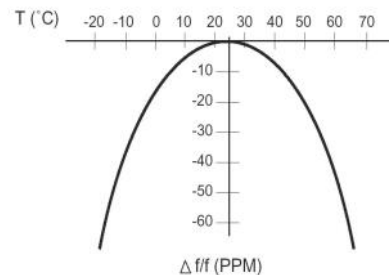
### ■ SPECIFICATION

FREQUENCY RANGE	STD: 32.768kHz (30kHz ~350kHz available)
FREQUENCY TOLERANCE @ 25°C	±20ppm
TEMPERATURE COEFFICIENT	-0.045ppm / °C <sup>2</sup> typ.
OPERATING TEMPERATURE RANGE	-40°C to 85°C
STORAGE TEMPERATURE RANGE	-55°C to 125°C
TURN OVER TEMPERATURE	25°C ± 4°C
LOAD CAPACITANCE	STD: 12.5pF (See P/N guide for other options)
SHUNT CAPACITANCE	1.6pF typ.
MOTIONAL CAPACITANCE	0.0035pF typ.
CAPACITANCE RATIO	460 typ.
EQUIVALENT SERIES RESISTANCE	40kΩ max.
INSULATION RESISTANCE	500MΩ min. @ 100V <sub>DC</sub> ±15V <sub>DC</sub>
DRIVE LEVEL	1.0μW max.
AGING	±5.0ppm / 1 <sup>st</sup> year max.

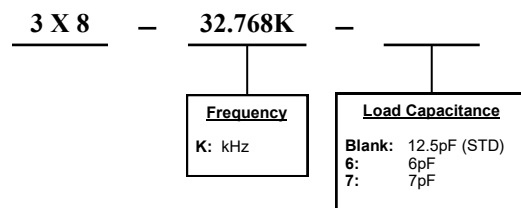
### ■ PACKAGE DIMENSIONS



### ■ TEMPERATURE COEFFICIENT



### ■ PART NUMBERING GUIDE



Transko Electronics, Inc reserves the right to make changes to the product (s), service (s), and specification (s) described herein without notice. See "Terms of Sale" for details on our website.