

6 5 4 3 2 1

MODEL NUMBER	S9025PLRASMAF
CONNECTOR	RIGHT ANGLE SMA-TYPE, FEMALE
FREQUENCY	902 MHz - 928 MHz
GAIN	5.5 dBic
AXIAL RATIO	2 dB TYPICAL
NORMAL IMPEDANCE	50 Ω
POLARIZATION	CIRCULAR, LEFT
BEAMWIDTH	100 DEGREES
VSWR	1.5:1
F/B	8 Db
POWER	10 W
WEIGHT	0.37 kg (0.8 lb)

REVISIONS				
REV.	ECR #	DESCRIPTION	CHANGED BY/DATE	APPROVED BY/DATE
AA	4048	INITIAL RELEASE PER	MCL 02-04-2010	S.J. 02-04-2010

D

D

C

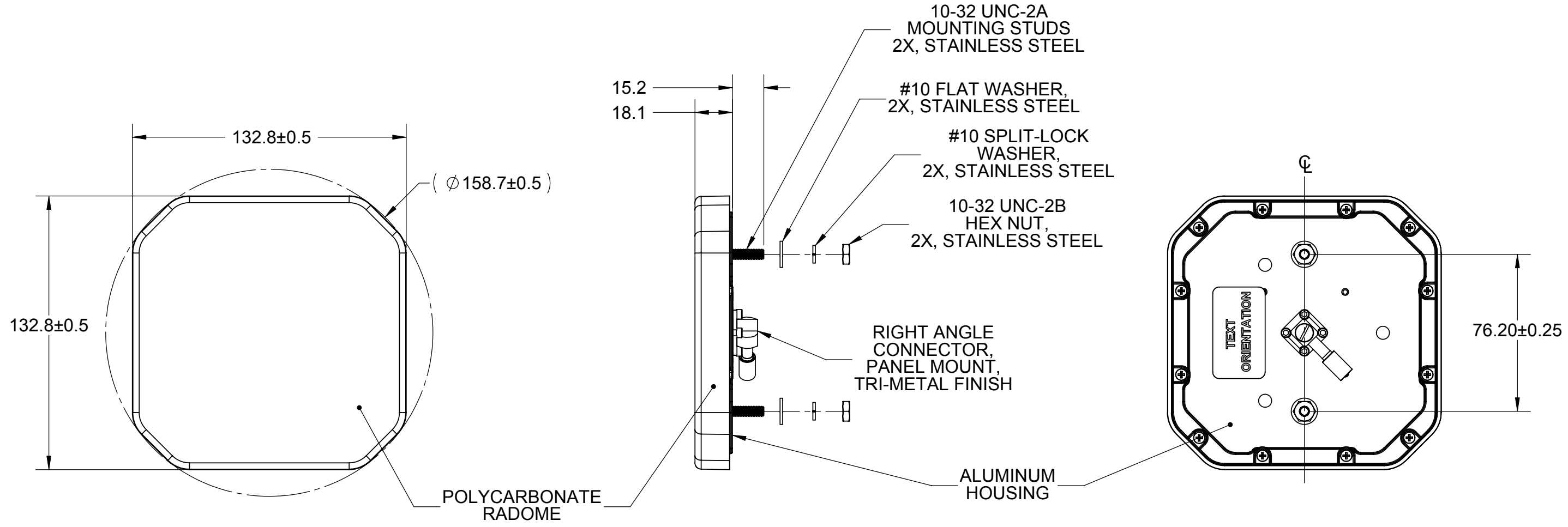
C

B

B

A

A



MATERIAL: N/A		THIRD ANGLE PROJECTION			
FINISH: N/A					
APPROVALS		DATE		<p>DO NOT SCALE DRAWING</p> <p>INTERPRET DIMENSIONING AND TOLERANCING IN ACCORDANCE WITH ASME Y14.5M-2009</p> <p>TOLERANCES UNLESS OTHERWISE SPECIFIED</p> <p>DIMENSIONS ARE IN MILLIMETERS</p>	
DRAWN BY	M.LABONVILLE	02-04-2010			
PROJ. ENG.	T. PETROPOULOS	02-04-2010			
APPL. MECH.	S.JOHNSON	02-04-2010			
MFG.	I. CHICKLIS	02-04-2010		<p>ANGLE: ±30'</p> <p>0 PLACE DECIMAL: ±0.5</p> <p>1 PLACE DECIMAL: ±0.25</p> <p>2 PLACE DECIMAL: ±0.13</p> <p>SURFACE ROUGHNESS 1.6/√</p>	
<p>THIS DRAWING IS UNPUBLISHED.</p> <p>© Copyright 2022 TE Connectivity Ltd.</p>		<p>RELEASED FOR PUBLICATION</p> <p>ALL RIGHTS RESERVED.</p>		<p>SIZE</p> <p>A3</p>	<p>DWG. NO.</p> <p>S9025PLRASMAFMO</p>
				<p>SCALE: 1:2</p>	<p>PREVIOUS#</p>
				<p>REV</p> <p>AA</p>	
				<p>SHEET 1 OF 1</p>	

6 5 4 3 2 1