

# PSI-GSM-STUB-ANT - Antenna

2313342

<https://www.phoenixcontact.com/us/products/2313342>

Please be informed that the data shown in this PDF document is generated from our online catalog. Please find the complete data in the user documentation. Our general terms of use for downloads are valid.



Mobile communication antenna for direct mounting on the device, SMA (male) antenna connector with articulated joint. The antenna is suitable for installation in plastic control cabinets not visible from the outside.

## Commercial data

Item number	2313342
Packing unit	1 pc
Sales key	DN25
Product key	DNC4Z1
Catalog page	Page 402 (C-6-2019)
GTIN	4046356353212
Weight per piece (including packing)	11.11 g
Weight per piece (excluding packing)	10.4 g
Customs tariff number	85177100
Country of origin	TW

# PSI-GSM-STUB-ANT - Antenna

2313342

<https://www.phoenixcontact.com/us/products/2313342>

## Technical data

### Product properties

Product type	Antenna
Radiation characteristics	Omnidirectional
Gain	typ. 0 dB
Polarization	Linear vertical

### Electrical properties

Frequency band	2100 MHz
	1900 MHz
	1800 MHz
	900 MHz
	850 MHz
Frequency range	850 MHz ... 900 MHz
	1.8 GHz ... 2.1 GHz
Impedance	50 $\Omega$

### Connection data

#### Connection technology

Connection method	SMA (male)
-------------------	------------

### Dimensions

Dimensional drawing	
Height	86 mm
Diameter	10 mm

### Cable/line

Connecting cable	No
------------------	----

### Environmental and real-life conditions

#### Ambient conditions

Degree of protection	IP54
Ambient temperature (operation)	-40 °C ... 105 °C
Ambient temperature (storage/transport)	-40 °C ... 105 °C

### Mounting

Mounting type	Direct assembly on the device interface
---------------	---

# PSI-GSM-STUB-ANT - Antenna

2313342

<https://www.phoenixcontact.com/us/products/2313342>



Connection method	SMA (male)
-------------------	------------

# PSI-GSM-STUB-ANT - Antenna

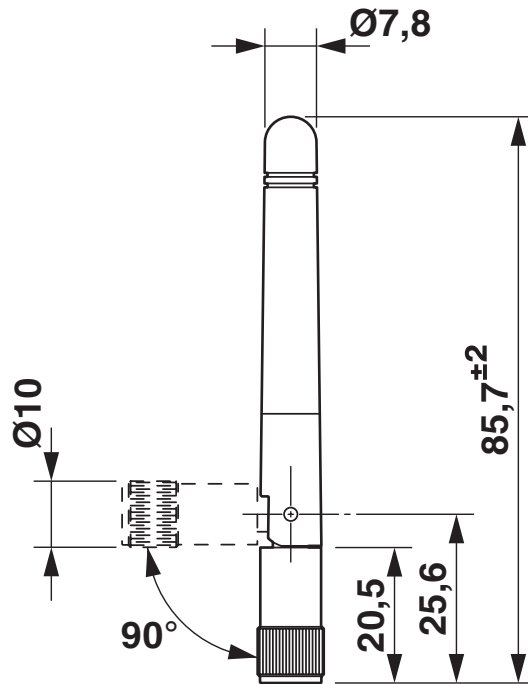
2313342

<https://www.phoenixcontact.com/us/products/2313342>



## Drawings

Dimensional drawing



Dimensional drawing

# PSI-GSM-STUB-ANT - Antenna



2313342

<https://www.phoenixcontact.com/us/products/2313342>

## Classifications

### ECLASS

ECLASS-11.0	19070105
ECLASS-12.0	19070105
ECLASS-13.0	19070105

### ETIM

ETIM 9.0	EC001698
----------	----------

### UNSPSC

UNSPSC 21.0	43223100
-------------	----------

# PSI-GSM-STUB-ANT - Antenna



2313342

<https://www.phoenixcontact.com/us/products/2313342>

## Environmental product compliance

REACH SVHC	Lead 7439-92-1
China RoHS	Environmentally Friendly Use Period = 50 years
	For information on hazardous substances, refer to the manufacturer's declaration available under "Downloads"

Phoenix Contact 2024 © - all rights reserved

<https://www.phoenixcontact.com>

Phoenix Contact USA  
586 Fulling Mill Road  
Middletown, PA 17057, United States  
(+717) 944-1300  
[info@phoenixcon.com](mailto:info@phoenixcon.com)