

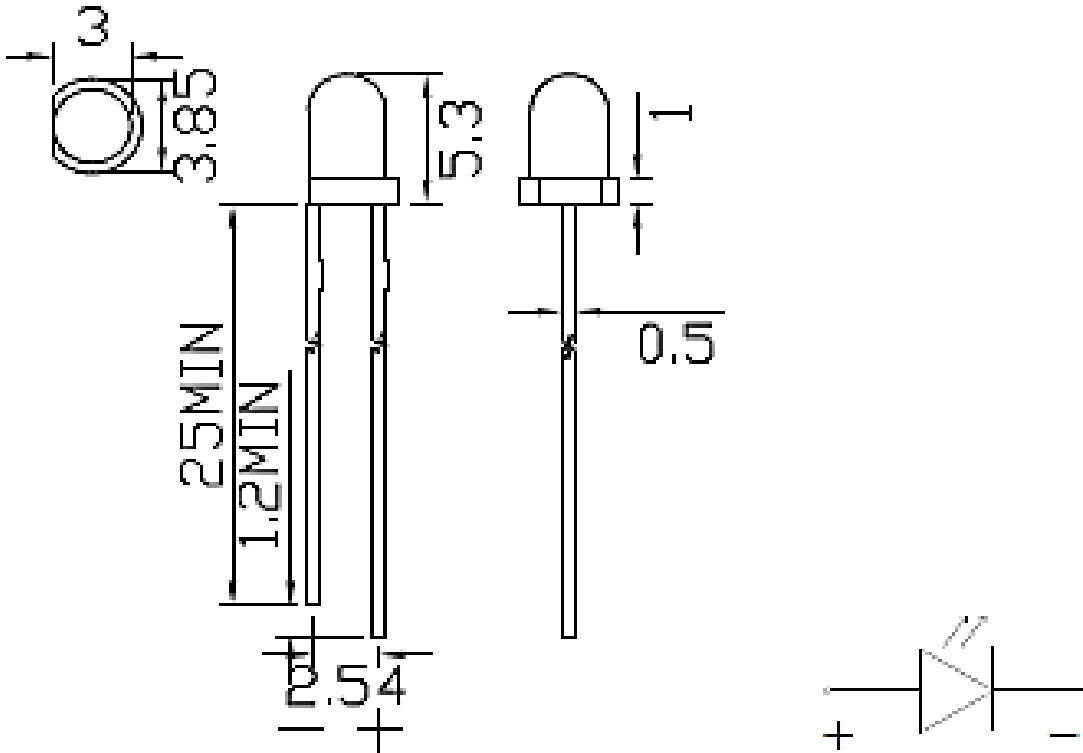


American Opto Plus LED Corp.

L314KED

3mm Red LED Lamp

PACKAGE OUTLINES



ITEM	MATERIALS
Dice	AllnGaP
Lens Color	Red Diffused
Emitted Color	Red

Notes:

1. All dimensions are in millimeters (inches)
2. Tolerances are ± 0.15 mm unless otherwise noted.



American Opto Plus LED Corp.

L314KED

3mm Red LED Lamp

ABSOLUTE MAXIMUM RATINGS

(Ta = 25°C)

Parameter	Symbol	Value	Unit
Power Dissipation	P_D	60	mW
Forward Current	I_F	30	mA
Peak Forward Current (1/10 duty, cycle: 0.1ms Pulse Width)	I_{PF}	60	mA
Reverse Voltage	V_R	5	V
Operating Temperature Range	T_{OPR}	-25 ~ +85	°C
Storage Humidity	T_{SH}	45% ~ 85%	°F
Storage Temperature Range	T_{STG}	-30 ~ +85	°C
Soldering Temperature	T_{SOL}	260°C for 5 seconds	

OPTICAL-ELECTRICAL CHARACTERISTICS

(Ta = 25°C)

Parameter	Symbol	Test Condition	Value			Unit
			Min	Typ	Max	
Luminous Intensity	I_V	$I_F=20mA$	100	--	200	mcd
Forward Voltage	V_F	$I_F=20mA$	1.8	--	2.4	V
Suggested Forward Current	I_F	$I_F=20mA$	3	5~10	20	mA
Reverse current	I_R	$V_R=5V$	--	--	10	μA
Dominant Wavelength	λ_D	$I_F=20mA$	630	635	640	nm
Viewing Angle	2θ½	$I_F=20mA$	--	40	--	deg

When using LEDs in circuits, it is recommended to limit the forward current to 5~10 mA, ≤20 mA.



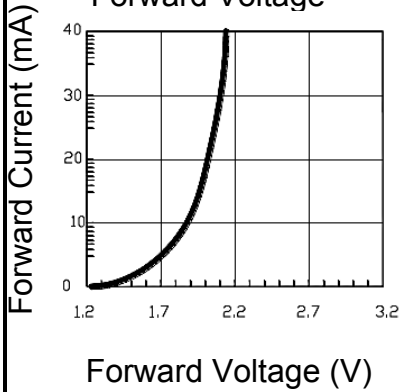
American Opto Plus LED Corp.

L314KED

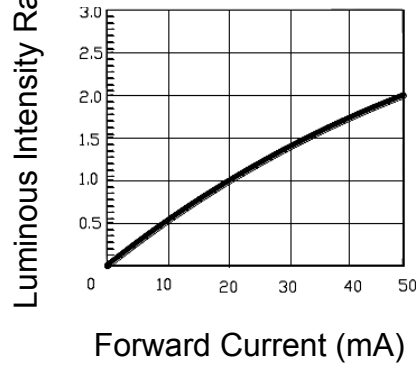
3mm Red LED Lamp

OPTICAL CHARACTERISTIC CURVES

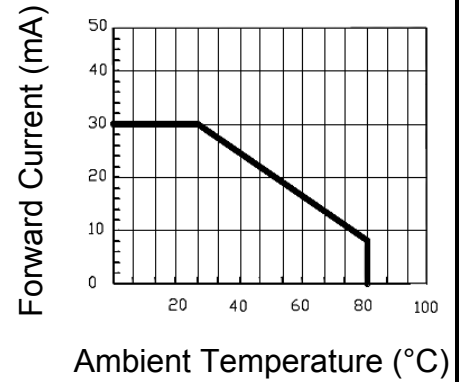
Forward Current vs. Forward Voltage



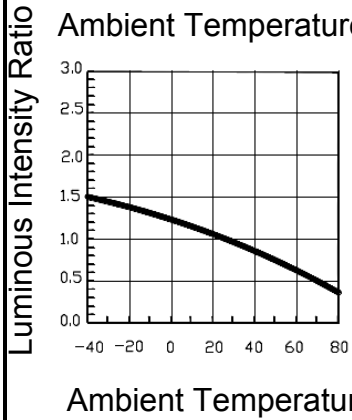
Forward Current vs. Relative Luminous Intensity



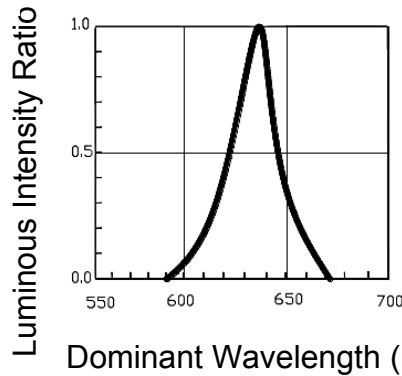
Forward Current vs. Ambient Temperature



Relative Luminous Intensity vs. Ambient Temperature



Relative Luminous Intensity vs. Main Wavelength



Radiation Diagram

