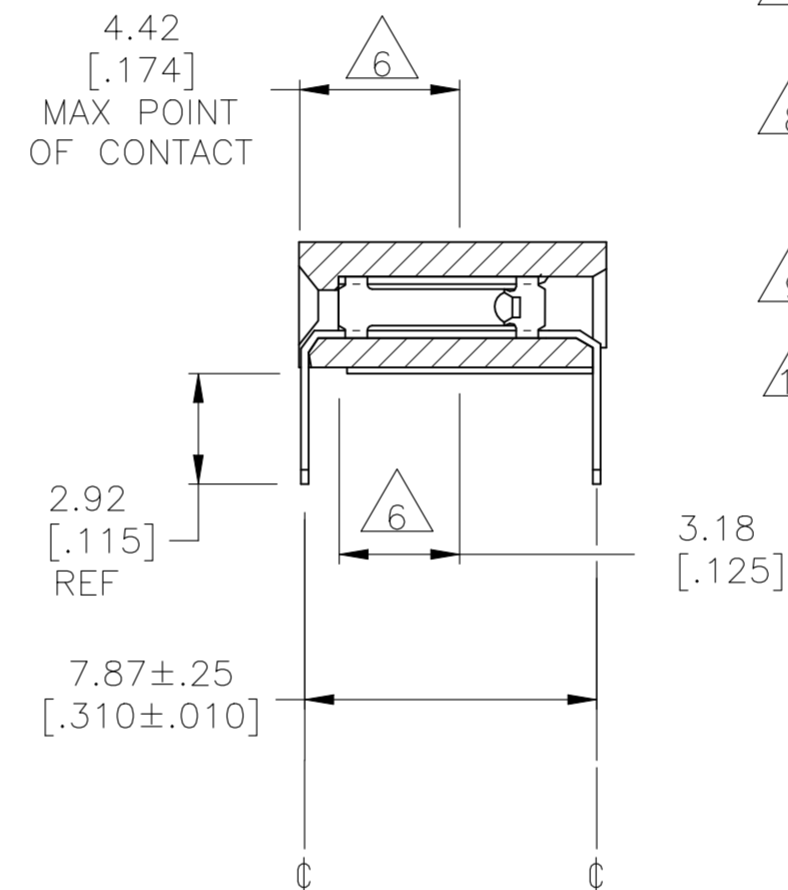
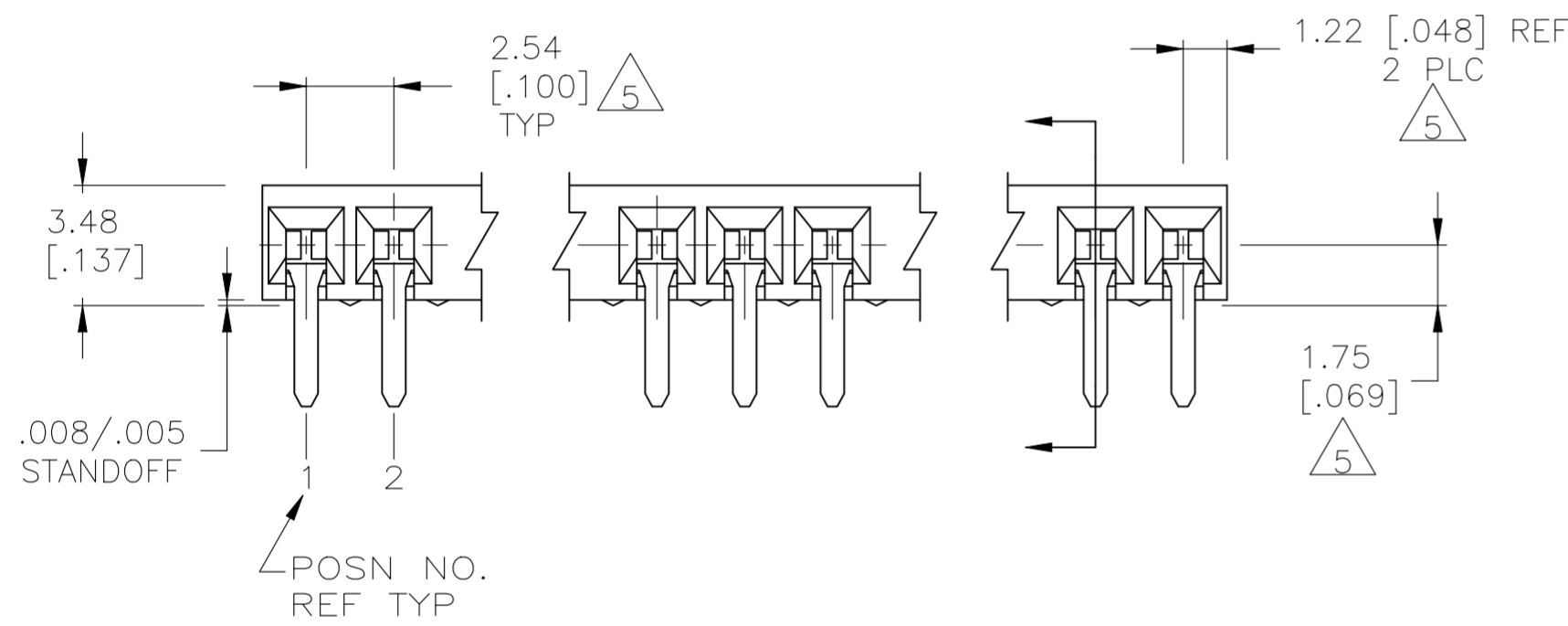
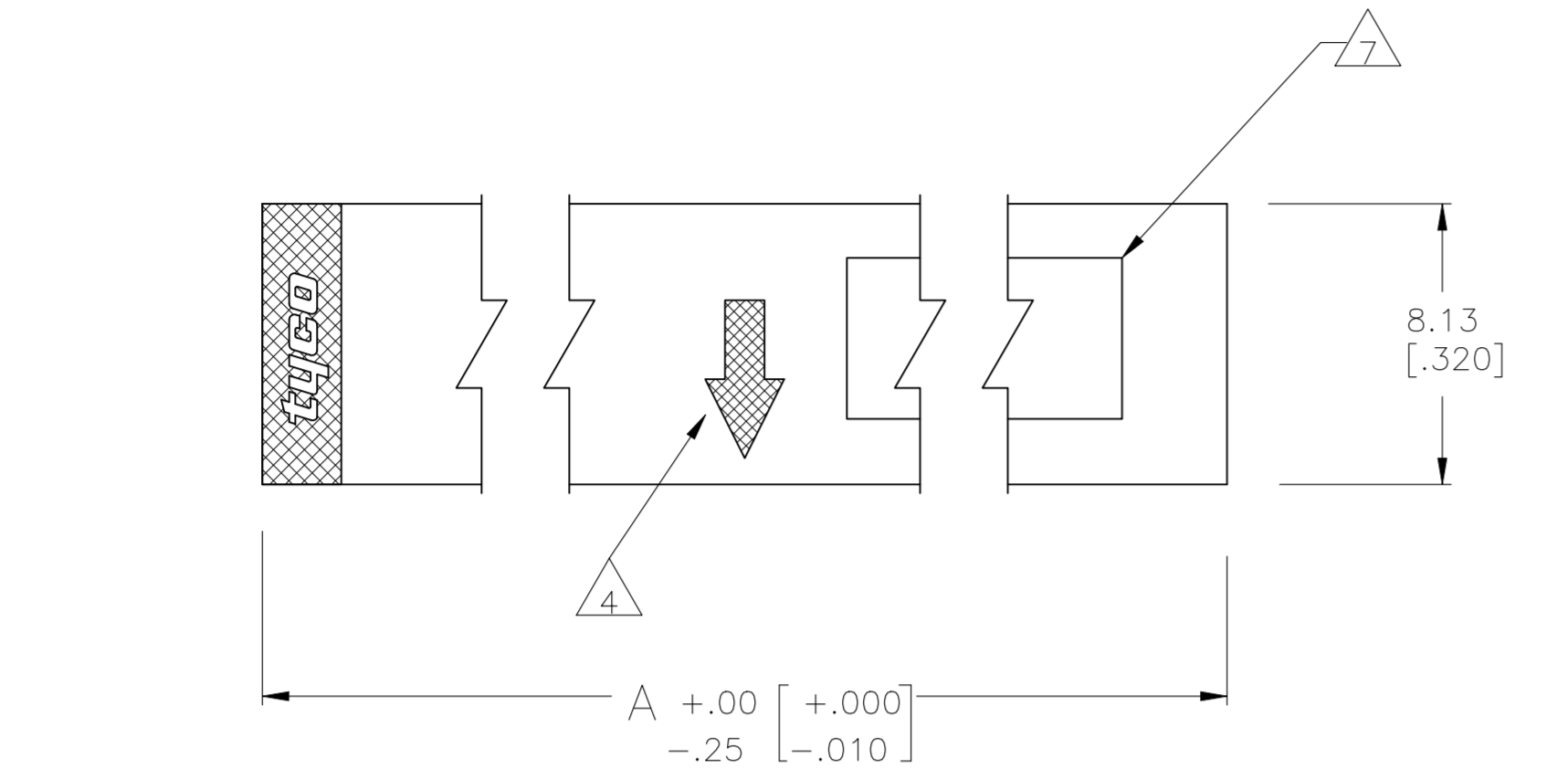
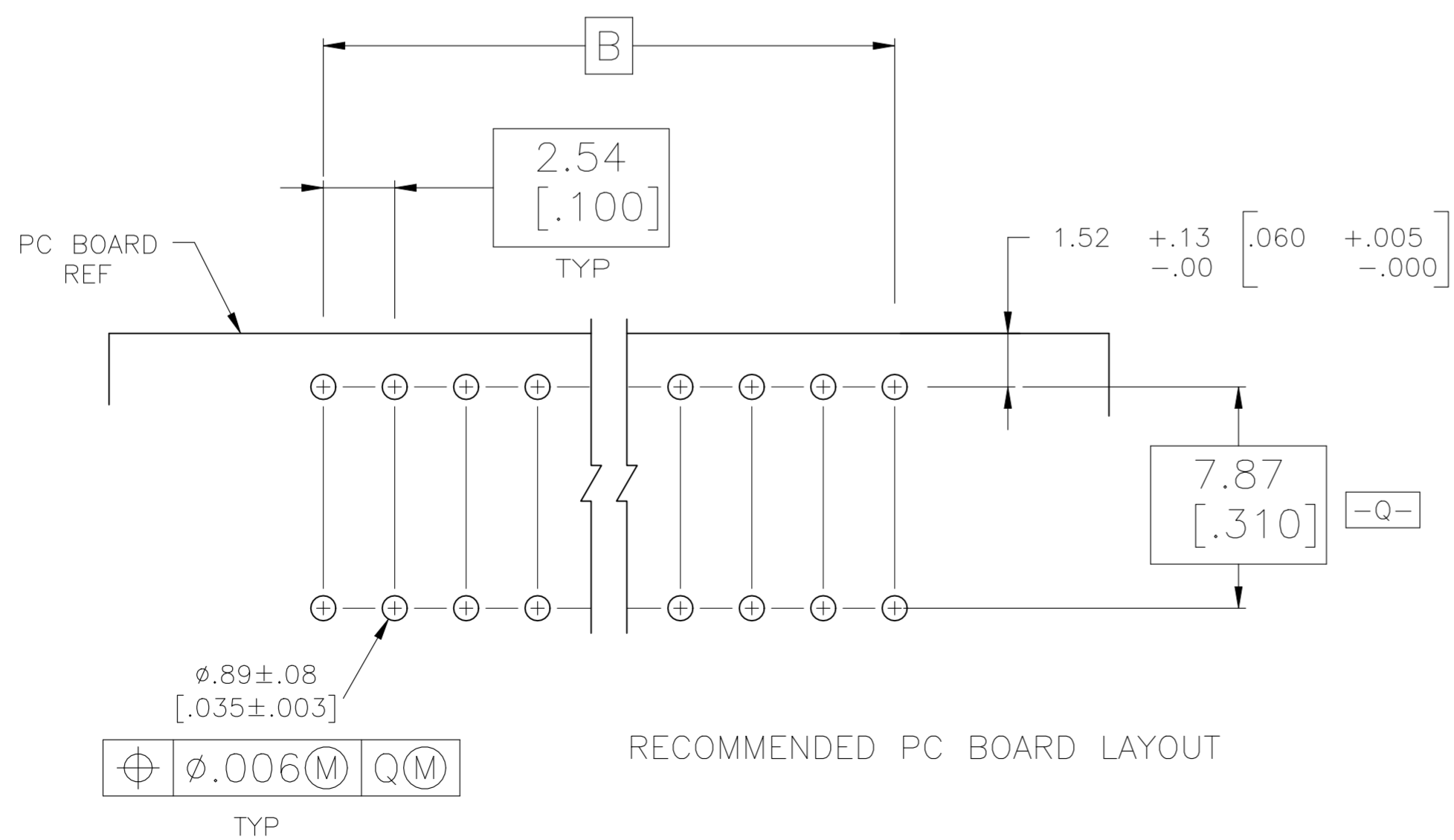


REVISIONS					
P	LTR	DESCRIPTION	DATE	DWN	APVD
D		RESIN SUPPLIER CHANGE FOR THE HOUSING	03DEC2021	SCB	KJK



- 1 HOUSING MATERIAL : GLASS FILLED, FLAME RETARDANT POLYESTER, COLOR-BLACK.
- 2 CONTACT MATERIAL: PHOSPHOR BRONZE.
- 3 CONTACT FINISH : DUPLEX PLATED 0.00076 [.000030] GOLD ON CONTACT AREA, .00381-.00762 [.000150-.000300] BRIGHT TIN-LEAD ON SOLDER TINES, ALL OVER 0.00127 [.000050] MIN. NICKEL.
- 4 MOLDED IN ARROW DESIGNATES THE MATING FACE OF THE CONNECTOR.
- 5 DIMENSIONS PERTAIN TO CAVITY CENTERLINES.
- 6 POINT OF MEASUREMENT FOR PLATING THICKNESS OF CONTACT AREA.
- 7 DATE CODE AND PART NUMBER MARKED IN APPROXIMATE LOCATION SHOWN.
- 8 CONTACT FINISH : DUPLEX PLATED 0.00076 [.000030] GOLD ON CONTACT AREA, .00381-.00762 [.000150-.000300] MATTE TIN ON SOLDER LEADS, ALL OVER 1.27 [.000050] MIN. NICKEL.
- 9 ROHS 2002 /95/EC COMPLIANT
- 10 OBSOLETE PARTS: OBSOLETE CIS STREAMLINING PER D.RENAUD/D.SINISI



10	8	2, 6, 7, 9 THRU 14	35.56 [1.400]	38.10 [1.500]	15	9	5-146769-2
	8	2 THRU 7, 9 THRU 14	35.56 [1.400]	38.10 [1.500]	15	9	5-146769-1
10	3	2, 6, 7, 9 THRU 14	35.56 [1.400]	38.10 [1.500]	15		146769-2
	3	2 THRU 7, 9 THRU 14	35.56 [1.400]	38.10 [1.500]	15		146769-1
FINISH		POSN NUMBERS OMITTED	B	A	NO OF POSN		PART NUMBER

THIS DRAWING IS A CONTROLLED DOCUMENT.		DWN	30-AUG-96	E. BRANDBERG		TE Connectivity	
DIMENSIONS: mm [INCHES]		CHK	30-AUG-96	B. STAUCH		NAME	
TOLERANCES UNLESS OTHERWISE SPECIFIED:		APVD	30-AUG-96	B. STAUCH		PRODUCT SPEC	
0 PLC ± -		APPLICATION SPEC		-		SIZE	
1 PLC ± -		WEIGHT		-		CAGE CODE	
2 PLC ± -		CUSTOMER DRAWING		SCALE		SHEET	
3 PLC ± -		SCALE		5:1		1 of 1	
4 PLC ± -		SHEET		1 of 1		REV	
ANGLES ± -		REV		D			
FINISH		WEIGHT		-		DRAWING NO	
1 2		DRAWING NO		A2 00779		RESTRICTED TO	
3 8		RESTRICTED TO		-			