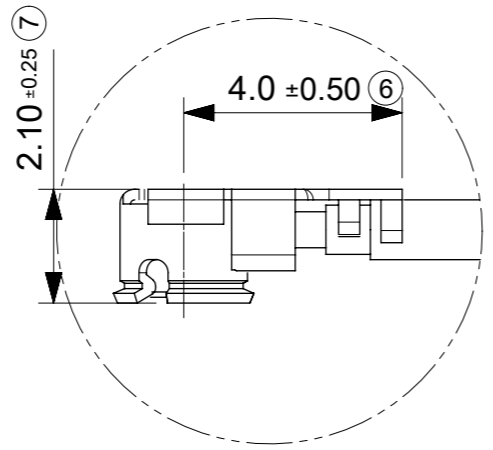
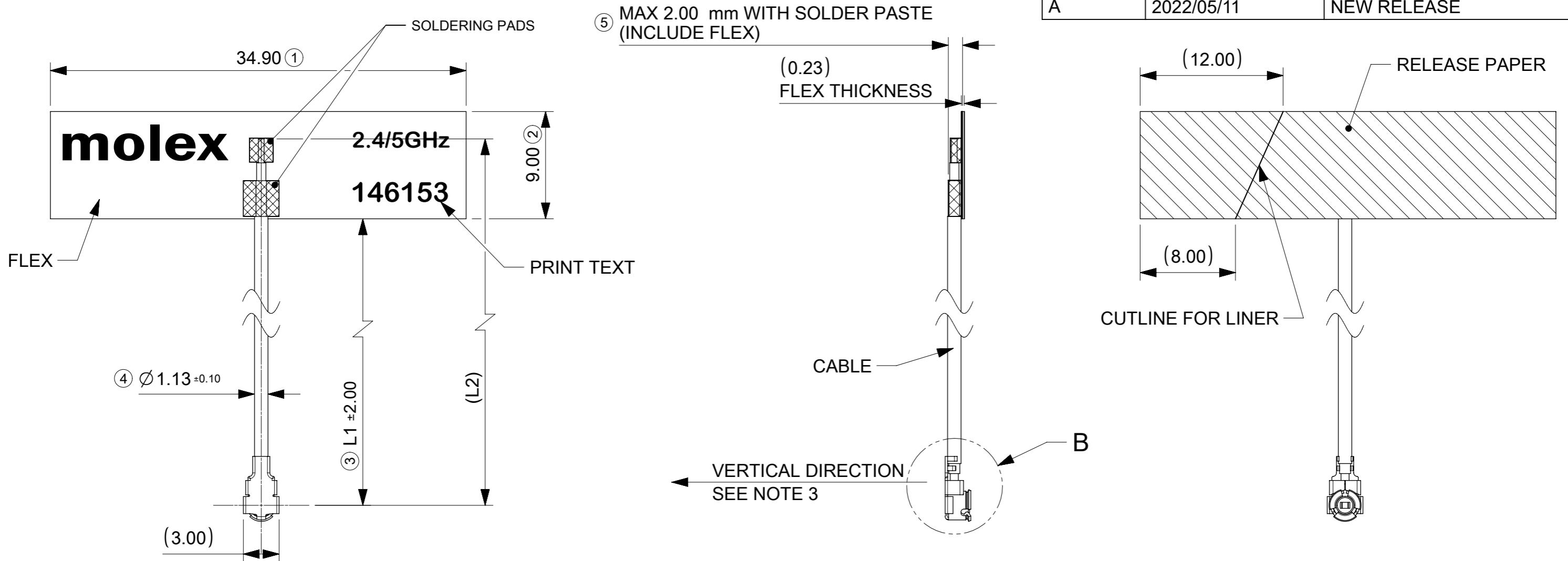


REV	DATE	DESCRIPTION
A	2022/05/11	NEW RELEASE



- NOTES:
- MATERIAL:  
 FLEX SIZE: 34.9\*9mm.  
 FLEX SOLDER MASK BLACK IN COLOR.  
 PRINT TEXT WHITE IN COLOR.  
 CABLE:  $\varnothing 1.13$ MM, BLACK IN COLOR.  
 CONNECTOR: MHF-1 PLUG AU TYPE (P/N: 20278-112R-13).  
 ADHESIVE: 3M9077.
  - THE CONNECTOR WILL BE PROTECTED WITH A CAP.
  - FOR PULL TEST, CAN NOT LIFT UP IN THE VERTICAL DIRECTION.
  - APPLICATION SPEC PLEASE REFER TO AS OF AS-146153-100.
  - PRODUCT SPEC PLEASE REFER TO PS OF PS-1461539100.

ITEM	MATERIAL NO.	CABLE LENGTH"L1"	CABLE LENGTH"L2"
1	1461539050	43.3 mm	50 mm
2	1461539100	93.3 mm	100 mm
3	1461539150	143.3 mm	150 mm
4	1461539200	193.3 mm	200 mm
5	1461539250	243.3 mm	250 mm
6	1461539300	293.3 mm	300 mm

THIS DRAWING CONTAINS INFORMATION THAT IS PROPRIETARY TO MOLEX ELECTRONIC TECHNOLOGIES, LLC AND SHOULD NOT BE USED WITHOUT WRITTEN PERMISSION		CURRENT REV DESC: EC DESCRIPTION		<b>molex</b>	
DIMENSION UNITS	SCALE	EC NO: 706413			
mm	3:1	DRWN: KCHENG06 2022/05/11		PRODUCT CUSTOMER DRAWING	
GENERAL TOLERANCES (UNLESS SPECIFIED)		CHK'D: HORACM1 2022/05/13		DOCUMENT NUMBER	
ANGULAR TOL	$\pm 2.0^\circ$	APPR: HORACM1 2022/05/13		1461539100	
4 PLACES	$\pm$	INITIAL REVISION:		DOC TYPE	DOC PART
3 PLACES	$\pm 0.2$	DRWN: KCHENG06 2022/05/11		PSD	000
2 PLACES	$\pm 0.25$	APPR: HORACM1 2022/05/13		REVISION	A
1 PLACE	$\pm 0.3$	DRAFT WHERE APPLICABLE MUST REMAIN WITHIN DIMENSIONS		MATERIAL NUMBER	CUSTOMER
0 PLACES	$\pm 0.5$	THIRD ANGLE PROJECTION	DRAWING	146153	GENERAL MARKET
		A3-SIZE	SERIES	SEE TABLE	SHEET NUMBER
			146153	1 OF 1	