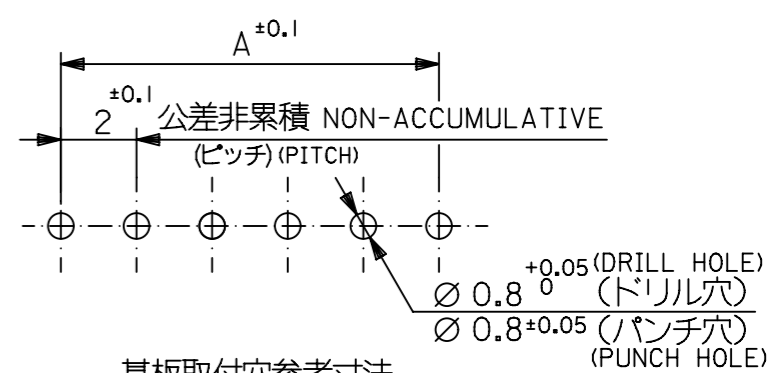
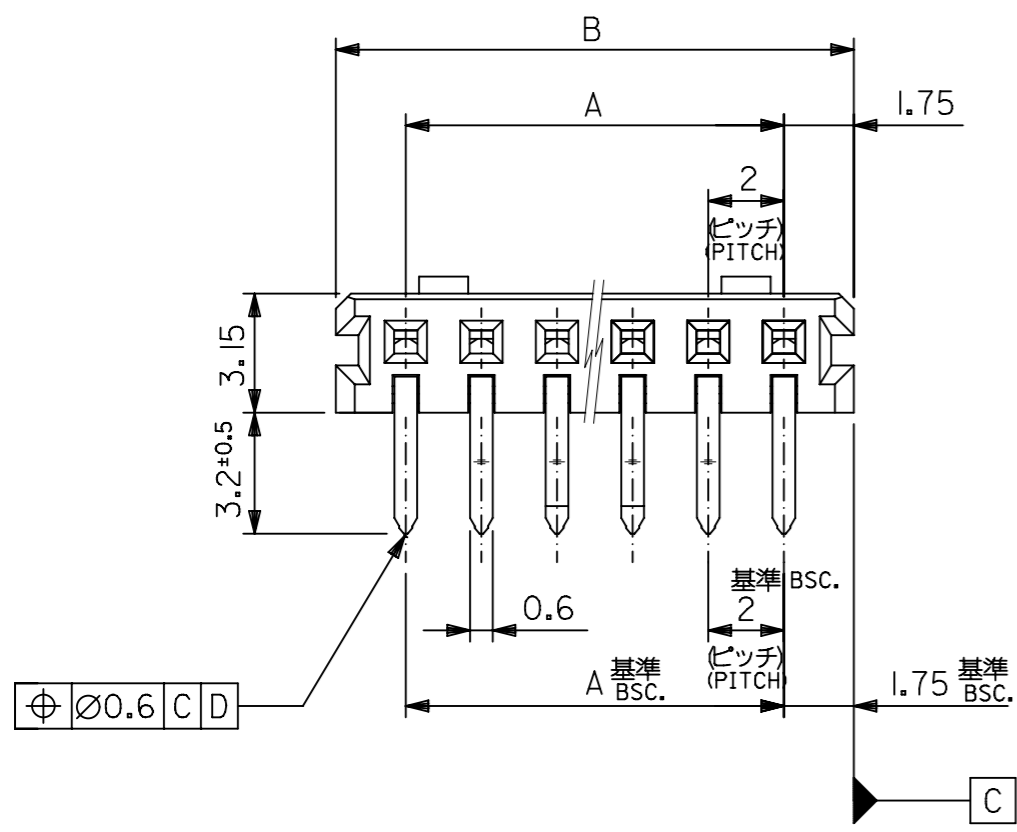


注記 NOTES

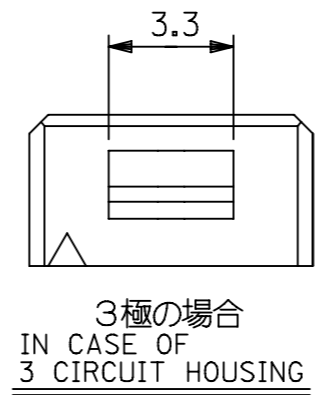
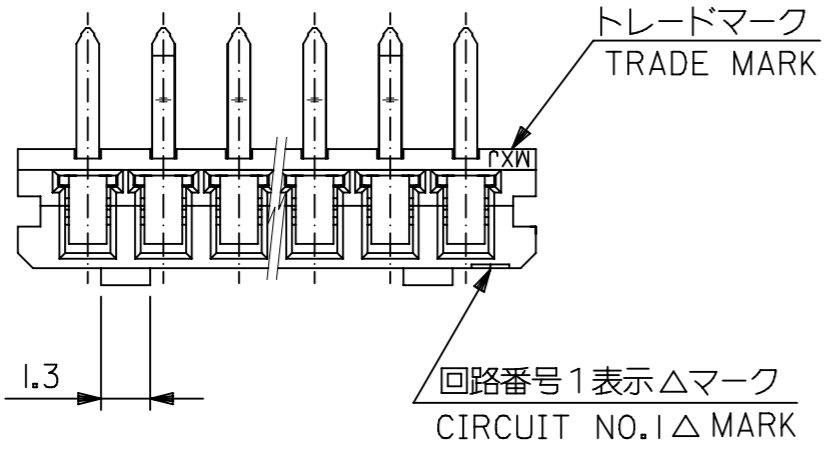
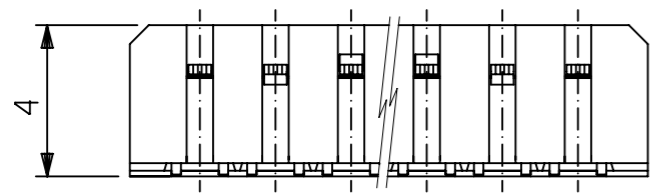
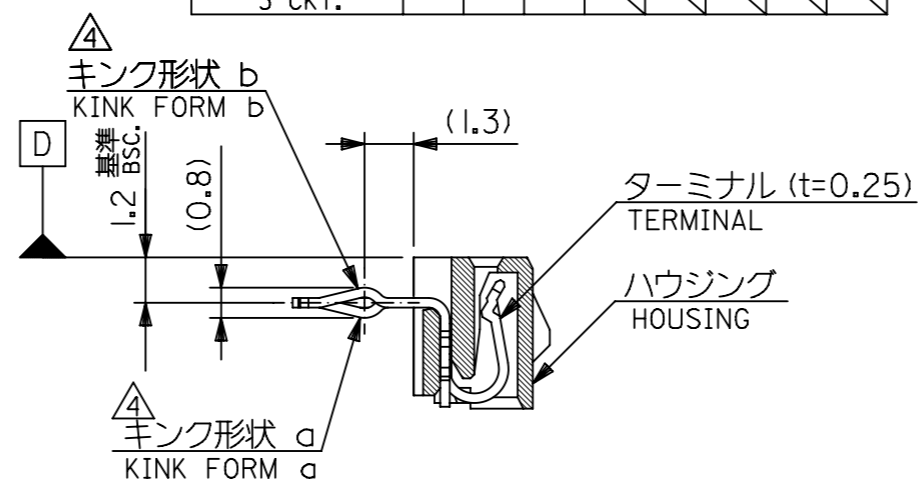
1. 材料 MATERIAL
 ハウジング: PBT (ガラス15%入り), UL94V-0
 HOUSING G.F. 15%
 ターミナル: リン青銅、錫メッキ
 TERMINAL PHOS.BRO. PRE-TINNED
2. 嵌合相手: 53290-**10, -**20
 MATES WITH
3. 各部のソリは0.2MAX.
 CAMBER; 0.2MAX.
4. キングは、下記表の位置に付加。
 KINK TO BE APPLIED AS FOLLOWS.
 (N: 極数 CKT.)



基板取付穴参考寸法
 RECOMMENDED P.C. BOARD
 HOLE DIM.(REFERENCE)
 (t=1.6)



極数 CKT.	回路番号 CKT. No.	1	2	3	4	5	N-2	N-1	N
6 極以上 MORE THAN 6 CKT.		-	a	b	-	-	b	a	-
5 極 5 CKT.		a	b	-	b	a			
4 極 4 CKT.		a	b	b	a				
3 極 3 CKT.		a	b	a					



41.5	38	52418-2010	20
37.5	34	-1810	18
35.5	32	-1710	17
33.5	30	-1610	16
31.5	28	-1510	15
29.5	26	-1410	14
27.5	24	-1310	13
25.5	22	-1210	12
23.5	20	-1110	11
21.5	18	-1010	10
19.5	16	-0910	9
17.5	14	-0810	8
15.5	12	-0710	7
13.5	10	-0610	6
11.5	8	-0510	5
9.5	6	-0410	4
7.5	4	52418-0310	3
B	A	ENG. NO.	極数 CKT.

THIS DRAWING CONTAINS INFORMATION THAT IS PROPRIETARY TO MOLEX ELECTRONIC TECHNOLOGIES, LLC AND SHOULD NOT BE USED WITHOUT WRITTEN PERMISSION

DIMENSION UNITS	SCALE	CURRENT REV DESC: REMOVED OBSOLETE PART NUMBERS AS PER PCN#511689.
mm	NTS	
GENERAL TOLERANCES (UNLESS SPECIFIED)		
ANGULAR TOL	±	°
4 PLACES	±	
3 PLACES	±	
2 PLACES	±	
1 PLACE	±	
0 PLACES	±	
DRAFT WHERE APPLICABLE MUST REMAIN WITHIN DIMENSIONS		
THIRD ANGLE PROJECTION	DRAWING	SERIES
	A3-SIZE	52418
MATERIAL NUMBER CUSTOMER SHEET NUMBER		
SEE TABLE	GENERAL MARKET	1 OF 1

EC NO: 745492
 DRWN: LIKITV 2023/04/26
 CHK'D: GGA 2023/05/25
 APPR: GGA 2023/05/25

INITIAL REVISION:
 DRWN: RFC_PLMIMP 2018/12/13
 APPR: RFC_PLMIMP 2018/12/13

DOCUMENT NUMBER: SD-52418-XX10
 DOC TYPE: PSD
 DOC PART: 001
 REVISION: C1

PRODUCT CUSTOMER DRAWING

角 度	AN	角 度	AN	角 度	AN	角 度	AN	角 度	AN
角度	ANGLE	±3°							
30 以上	OVER	±0.3							
10 以上	30 未	±0.25							
10 未	満	±0.2							
一般公差	GENERAL TOLERANCES	REVISE ONLY ON CAD SYSTEM							