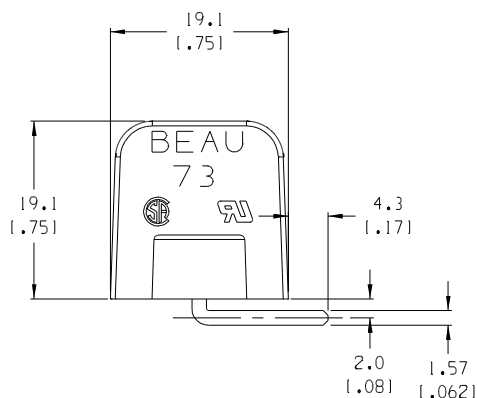
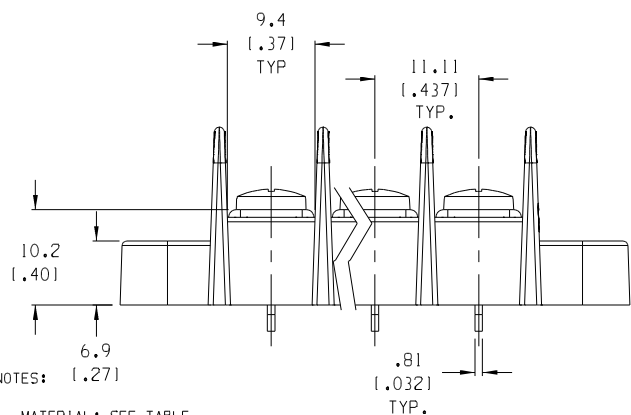


PTH PATTERN
SCALE 1:1



NUMBER OF CIRCUITS	"A" DIM.	"B" DIM.	"C" DIM.	MATERIAL NUMBER
03	54.62 [2.150]	22.23 [0.875]	44.46 [1.750]	387322103
04	65.73 [2.588]	33.34 [1.313]	55.57 [2.188]	387322104
05	76.84 [3.025]	44.45 [1.750]	66.68 [2.625]	387322105

- NOTES:
1. MATERIAL: SEE TABLE
 2. FINISHES: SEE TABLE
 3. PRODUCT SPECIFICATION: AS REQUIRED
 4. PACKAGING: NOT REQUIRED
 5. MATES WITH: NONE
 6. INCH DIMS ARE SHOWN IN PARENTHESIS (XXX)
 7. "XX" REFERS TO THE NUMBER OF CIRCUITS

ITEM	QTY.	DESCRIPTION	MATERIAL	FINISH
3	"XX"	SCREW #8-32 X .290 BINDING HEAD	STEEL	ZINC CHROMATE
2	"XX"	TERMINAL 8-32, WIRE WRAP	BRASS	TIN
1	1	INSULATOR	THERMOPLASTIC	BLACK

EC NO. RELEASED
DRAWN: JF 07-29-04
CH: K1
APPR:

DESCRIPTION

MAJOR

CRITICAL

SPC

REV

QUALITY SYMBOLS

GENERAL TOLERANCES: (UNLESS SPECIFIED)

	mm	INCH
4 PLACES		±.0015
3 PLACES	±.038	±.005
2 PLACES	±.13	±.01
1 PLACE	±.3	

ANGULAR: ±2°

DRAFT WHERE APPLICABLE MUST REMAIN WITHIN DIMENSIONS

SCALE 2:1

DESIGN UNITS mm INCH

THIRD ANGLE PROJECTION

DRAWN BY & DATE
J. FARMER 07-29-04

CHECKED BY & DATE

APPROVED BY & DATE

CAD FILENAME
738XX-A.PRT

TITLE:
SR BTS, PC, RA, -A, ASY

MOLEX INCORPORATED

CAD FILENAME: 738XX-A.PRT

MATERIAL NO.: SEE CHART

DRAWING NO.: SD-38732-001

SHEET NO.: 1 OF 1

SIZE B

PROJECT NO. - -

DIMENSIONS: mm INCH mm ONLY

SHT REV

REVISE ON CAD ONLY