

OJE-SS-112DM,801 ✓ ACTIVE

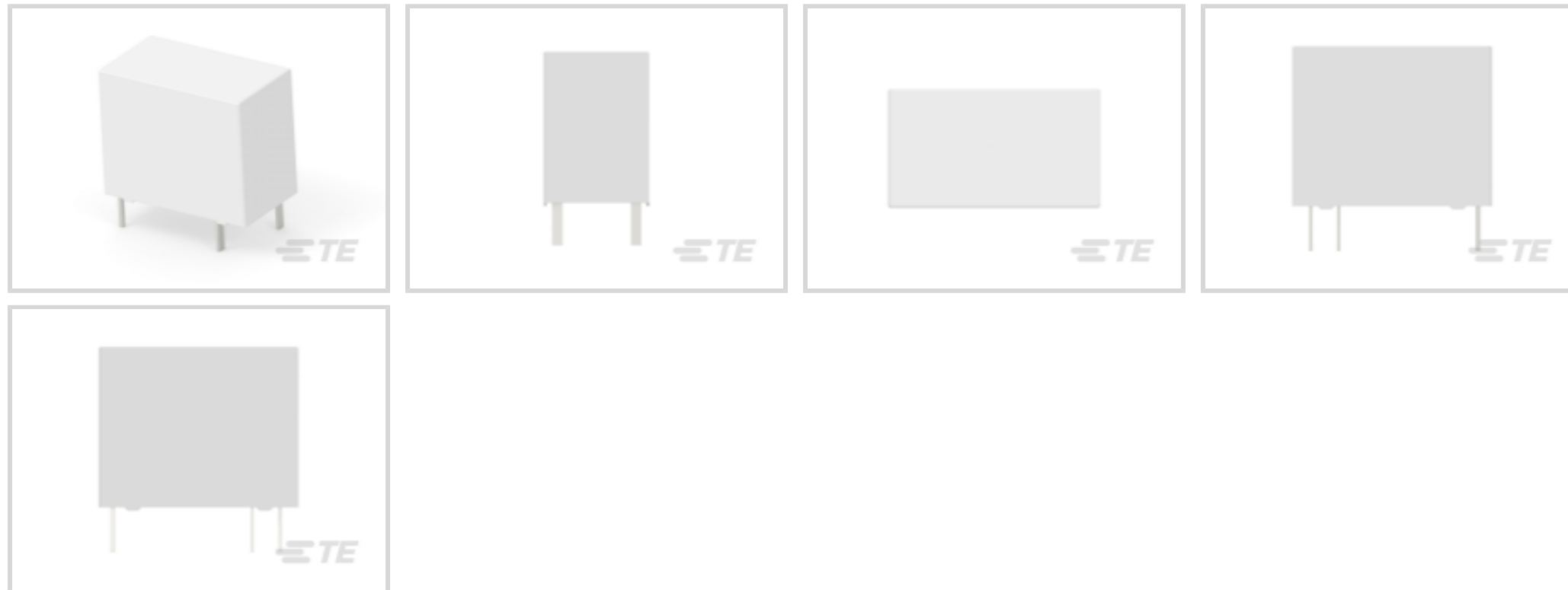
TE Internal #: 1649222-1

Power Relays, Standard, Monostable, DC, 450 mW Coil Power Rating DC, 320 Ω Coil Resistance, UL Coil Insulation Class F, 12 VDC Coil Voltage

[View on TE.com >](#)



Relays & Contactors > Relays > Power Relays



Power Relay Type: **Standard**

Coil Magnetic System: **Monostable, DC**

Coil Power Rating DC: **450 mW**

Coil Resistance: **320 Ω**

Coil Special Features: **UL Coil Insulation Class F**

Features

Product Type Features

Power Relay Type	Standard
------------------	----------

Electrical Characteristics

Insulation Initial Dielectric Between Coil & Contact Class	2500 – 3000 V
Insulation Initial Dielectric Between Open Contacts	750 Vrms
Contact Limiting Making Current	5 A
Contact Limiting Short-Time Current	5 A
Insulation Creepage Class	3 – 5.5 mm
Contact Limiting Continuous Current	5 A
Insulation Initial Dielectric Between Contacts & Coil	3000 Vrms
Insulation Creepage Between Contact & Coil	3.6 mm[.141 in]
Contact Limiting Breaking Current	5 A
Coil Magnetic System	Monostable, DC
Coil Power Rating DC	450 mW
Coil Resistance	320 Ω
Coil Special Features	UL Coil Insulation Class F

Coil Voltage Rating	12 VDC
---------------------	--------

Contact Switching Load (Min)	100mA @ 5V
------------------------------	------------

Contact Switching Voltage (Max)	30 VDC
---------------------------------	--------

Contact Voltage Rating	30 VDC
------------------------	--------

Body Features

Insulation Special Features	Tracking Index of Relay Base PTI250
-----------------------------	-------------------------------------

Product Weight	9 g[.318 oz]
----------------	--------------

Contact Features

Contact Arrangement	1 Form A (NO)
---------------------	---------------

Contact Current Class	16 A
-----------------------	------

Contact Current Rating (Max)	5 A
------------------------------	-----

Contact Material	AgNi
------------------	------

Contact Number of Poles	1
-------------------------	---

Relay Terminal Type	PCB-THT
---------------------	---------

Mechanical Attachment

Relay Mounting Type	Printed Circuit Board
---------------------	-----------------------

Dimensions

Length Class (Mechanical)	16 – 20 mm
---------------------------	------------

Insulation Clearance Class	0 – 2.5 mm
----------------------------	------------

Height Class (Mechanical)	14 – 15 mm
---------------------------	------------

Insulation Clearance Between Contact & Coil	3.2 mm[.125 in]
---	-----------------

Width Class (Mechanical)	10 – 12 mm
--------------------------	------------

Product Width	10.2 mm[.4 in]
---------------	----------------

Product Length	18.2 mm[.717 in]
----------------	------------------

Product Height	14.7 mm[.579 in]
----------------	------------------

Usage Conditions

Environmental Ambient Temperature (Max)	85 °C
---	-------

Packaging Features

Packaging Method	Bundle
------------------	--------

Product Compliance

For compliance documentation, visit the product page on [TE.com](https://www.te.com)>



EU RoHS Directive 2011/65/EU	Compliant
EU ELV Directive 2000/53/EC	Compliant
China RoHS 2 Directive MIIT Order No 32, 2016	No Restricted Materials Above Threshold
EU REACH Regulation (EC) No. 1907/2006	Current ECHA Candidate List: JUNE 2023 (235) Candidate List Declared Against: JUNE 2023 (235) Does not contain REACH SVHC
Halogen Content	Not Low Halogen - contains Br or Cl > 900 ppm.
Solder Process Capability	Wave solder capable to 265°C

Product Compliance Disclaimer

This information is provided based on reasonable inquiry of our suppliers and represents our current actual knowledge based on the information they provided. This information is subject to change. The part numbers that TE has identified as EU RoHS compliant have a maximum concentration of 0.1% by weight in homogenous materials for lead, hexavalent chromium, mercury, PBB, PBDE, DBP, BBP, DEHP, DIBP, and 0.01% for cadmium, or qualify for an exemption to these limits as defined in the Annexes of Directive 2011/65/EU (RoHS2). Finished electrical and electronic equipment products will be CE marked as required by Directive 2011/65/EU. Components may not be CE marked. Additionally, the part numbers that TE has identified as EU ELV compliant have a maximum concentration of 0.1% by weight in homogenous materials for lead, hexavalent chromium, and mercury, and 0.01% for cadmium, or qualify for an exemption to these limits as defined in the Annexes of Directive 2000/53/EC (ELV). Regarding the REACH Regulation, the information TE provides on SVHC in articles for this part number is based on the latest European Chemicals Agency (ECHA) 'Guidance on requirements for substances in articles' posted at this URL: <https://echa.europa.eu/guidance-documents/guidance-on-reach>

Compatible Parts

 <p>TE Part # 4-1419144-7 OJE-SH-112HMF,F095</p>	 <p>TE Part # 1-1649222-2 OJE-SH-112DM,000T0</p>	 <p>TE Part # 1-1721539-7 OJE-SS-112HM2.000T0</p>	 <p>TE Part # 1649222-6 OJE-SS-112DM,0A000</p>
 <p>TE Part # 1721261-7 OJE-SS-112LMH2,000T0</p>	 <p>TE Part # 2071369-1 OJE-SH-112DM,00E0W</p>	 <p>TE Part # 1649222-4 OJE-SH-112DM,801</p>	 <p>TE Part # 2071385-2 OJE-SH-112HM2F,000</p>

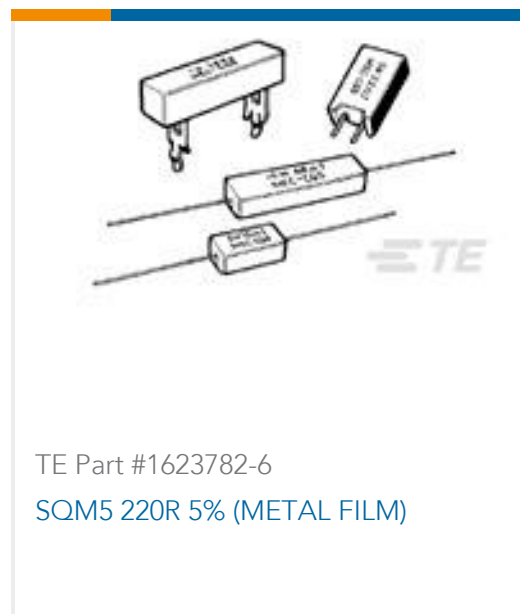


TE Part # 1721923-4
OJE-SS-112HMF,00D00

Customers Also Bought



TE Part #4-1419128-4
STD OEG Miniature PCB OJ/OJE Pow Relays



TE Part #1623782-6
SQM5 220R 5% (METAL FILM)



TE Part #9-1393243-7
RT444012



TE Part #175150-2
AMP UNIVE. POWER CONN TAB CONT



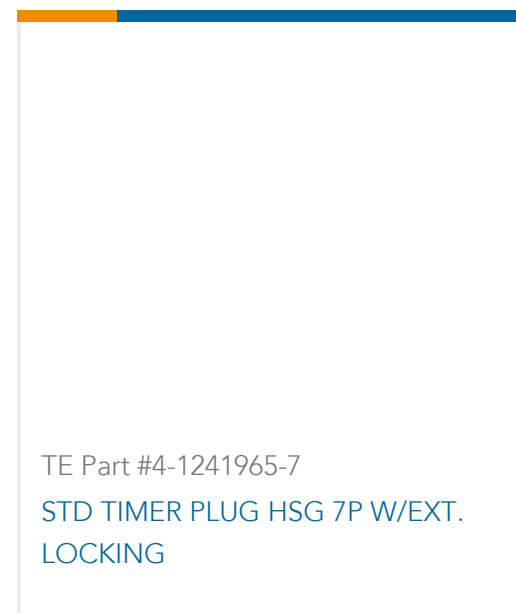
TE Part #4-1419108-0
RTE24005F



TE Part #63688-1
250 FASTON REC 18-14 AWG NPST



TE Part #4-1419144-7
OJE-SH-112HMF,F095



TE Part #4-1241965-7
STD TIMER PLUG HSG 7P W/EXT. LOCKING

Documents

Product Drawings

OJE-SS-112DM,801

English

CAD Files

3D PDF

3D

Customer View Model

[ENG_CVM_CVM_1649222-1_C7.2d_dxf.zip](#)

English

Customer View Model

[ENG_CVM_CVM_1649222-1_C7.3d_igs.zip](#)

English

Customer View Model

[ENG_CVM_CVM_1649222-1_C7.3d_stp.zip](#)

English

By downloading the CAD file I accept and agree to the [Terms and Conditions](#) of use.



Datasheets & Catalog Pages

[OJ_OJE Series Relay Data Sheet English](#)

English

Product Specifications

[Definitions General Purpose Relays](#)

English

Agency Approvals

[VDE Certificate](#)

English