



CII | CII FCA-125 Series

TE Internal #: 9-1617748-1

Mid-Range Relays, Contact Arrangement 2 Form C, DPDT, 2 C/O, Tin-Lead Terminal Plating, 10A Contact Current Rating (Max), CII FCA-125 Series

[View on TE.com >](#)

Relays & Contactors > Relays > Mil-Aero Relays > Mid-Range Relays



Contact Arrangement: **2 Form C, DPDT, 2 C/O**

Terminal Plating: **Tin-Lead**

Contact Current Rating (Max): **10 A**

Coil Voltage Rating: **12 VDC**

Coil Resistance: **20 Ω**

Features

Product Type Features

Enclosure Type	Hermetically Sealed
Terminal Configuration	Solder Hooks

Electrical Characteristics

Vibration Resistance	30G's, 10 – 3000Hz
Actuating System	DC
Shock Resistance	200G's, 6ms
Coil Magnetic System	Polarized, Monostable
Coil Voltage Rating	12 VDC
Coil Resistance	20 Ω

Contact Features

Contact Base Material	Silver Cadmium Oxide
Contact Arrangement	2 Form C, DPDT, 2 C/O
Terminal Plating	Tin-Lead
Contact Current Rating (Max)	10 A

Mechanical Attachment

Product Mounting Feature Type	Mounting Brackets
Product Mount Type	Panel



Usage Conditions

Operating Temperature Range	-70 – 125 °C
-----------------------------	--------------

Product Compliance

[For compliance documentation, visit the product page on TE.com>](#)

EU RoHS Directive 2011/65/EU	Not Compliant
EU ELV Directive 2000/53/EC	Not Compliant
China RoHS 2 Directive MIIT Order No 32, 2016	Restricted Materials Above Threshold
EU REACH Regulation (EC) No. 1907/2006	Current ECHA Candidate List: JUNE 2023 (235) Candidate List Declared Against: JUNE 2022 (224) Does not contain REACH SVHC
Halogen Content	Low Halogen - Br, Cl, F, I < 900 ppm per homogenous material. Also BFR/CFR/PVC Free
Solder Process Capability	Not lead free process capable

Product Compliance Disclaimer

This information is provided based on reasonable inquiry of our suppliers and represents our current actual knowledge based on the information they provided. This information is subject to change. The part numbers that TE has identified as EU RoHS compliant have a maximum concentration of 0.1% by weight in homogenous materials for lead, hexavalent chromium, mercury, PBB, PBDE, DBP, BBP, DEHP, DIBP, and 0.01% for cadmium, or qualify for an exemption to these limits as defined in the Annexes of Directive 2011/65/EU (RoHS2). Finished electrical and electronic equipment products will be CE marked as required by Directive 2011/65/EU. Components may not be CE marked. Additionally, the part numbers that TE has identified as EU ELV compliant have a maximum concentration of 0.1% by weight in homogenous materials for lead, hexavalent chromium, and mercury, and 0.01% for cadmium, or qualify for an exemption to these limits as defined in the Annexes of Directive 2000/53/EC (ELV). Regarding the REACH Regulation, the information TE provides on SVHC in articles for this part number is based on the latest European Chemicals Agency (ECHA) 'Guidance on requirements for substances in articles' posted at this URL: <https://echa.europa.eu/guidance-documents/guidance-on-reach>

Compatible Parts

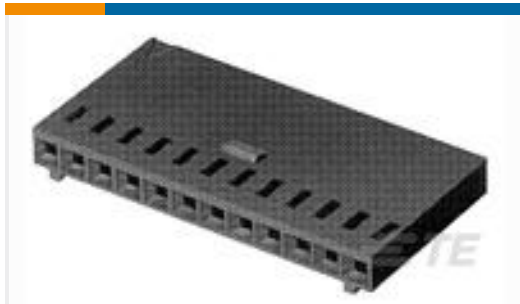


Also in the Series | [CII FCA-125 Series](#)



Mid-Range Relays(80)

Customers Also Bought



TE Part #102241-4
06 MODIV HSG COMP SR .100 POL



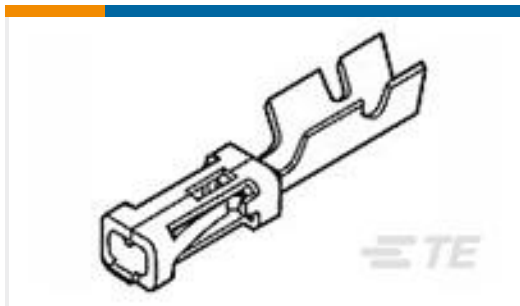
TE Part #3-2176509-5
CJP 400W 1K0 5% Lead



TE Part #CTJ116E01D-513
MODULE ASSY



TE Part #53417-1
TERMINAL,PIDG PVF2 R 16-14 8



TE Part #86016-5
MOD IV RECP LP



TE Part #207683-6
PIM CONT,SZ 22D,AMPLIMITE



TE Part #1-2176516-6
CJH 2000W 180R 5% Lead



TE Part #YDIV46E13-98SNC009
PLUG ASSY



TE Part #YCTJ122E04FC015000
ELEC MODULE



TE Part #EP6640-000
S200-4-01-CS4535

Documents

Product Drawings

[FCA-210-0917M=M83536/9-017M](#)

English

Datasheets & Catalog Pages

[5-1773450-5_sec5_FCA-210](#)

English