

**EM2535 Series  
EuroMag Terminal Blocks**

Header (Mates with EM2525,  
EM3105 Series); 5.00 Centers

**SPECIFICATIONS**

**Rating:** 16A, 300V

**Center Spacing:** 0.197" (5.00mm)

Consult factory for 0.394" (10.00mm)

**Housing Material:** UL rated 94V0 Thermoplastic

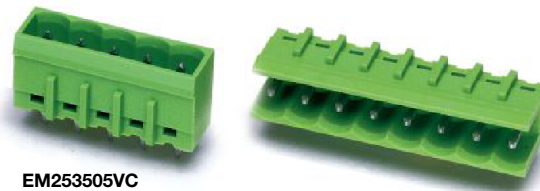
**Contact Material:** Brass Tin-Plated

**Operating Temperature:** 105°C (221°F) max., -40°C (-40°F) min.

**Recommended PCB Hole Diameters:** 0.055" (1.40mm)

**Construction:** Mold-to-Length

**Agency Information:** cUL File E62622; CE Certified

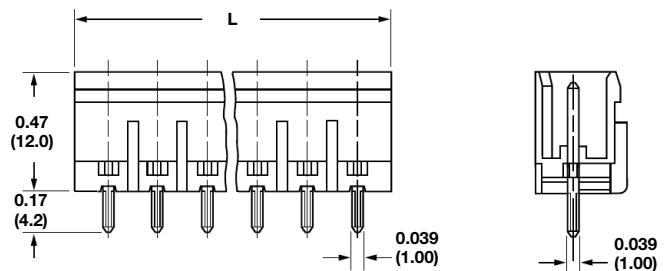


EM253505VC

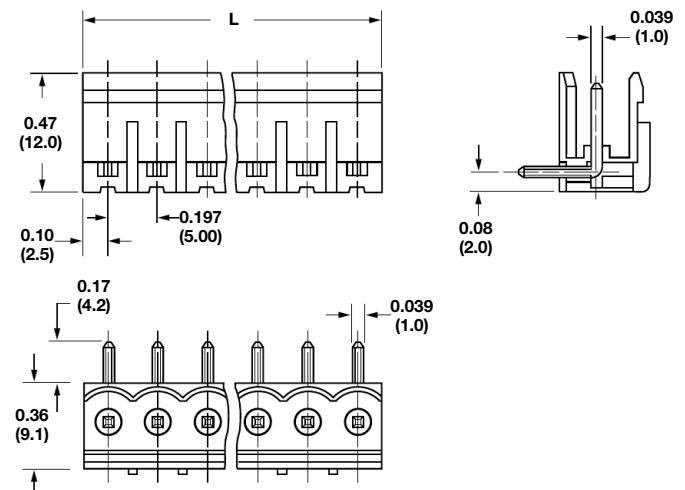
EM253508HO

**Dimensions - in (mm)**

**VERTICAL - CLOSED**



**HORIZONTAL - OPEN**



Position	Open L (mm)	Closed L (mm)	Position	Open L (mm)	Closed L (mm)
02	10.0	12.0	14	70.0	72.0
03	15.0	17.0	15	75.0	77.0
04	20.0	22.0	16	80.0	82.0
05	25.0	27.0	17	85.0	87.0
06	30.0	32.0	18	90.0	92.0
07	35.0	37.0	19	95.0	97.0
08	40.0	42.0	20	100.0	102.0
09	45.0	47.0	21	105.0	107.0
10	50.0	52.0	22	110.0	112.0
11	55.0	57.0	23	115.0	117.0
12	60.0	62.0	24	120.0	122.0
13	65.0	67.0			

To convert to inches, divide by 25.4

**Part Numbering System**

Series	# of Positions	Orientations	Side Base
EM2535	<input type="checkbox"/> <input type="checkbox"/>	<input type="checkbox"/>	<input type="checkbox"/>
	02 to 24	H - horizontal V - vertical	O - open C - closed

**Mating Plugs:** EM2525 pg. 85  
EM2485 pg. 86  
EM3105 pg. 87

Terminal Blocks:  
Single Row

EuroMag Series  
Plug & Header

Edge Connectors,  
One-Sided Boards

Compliance  
References