



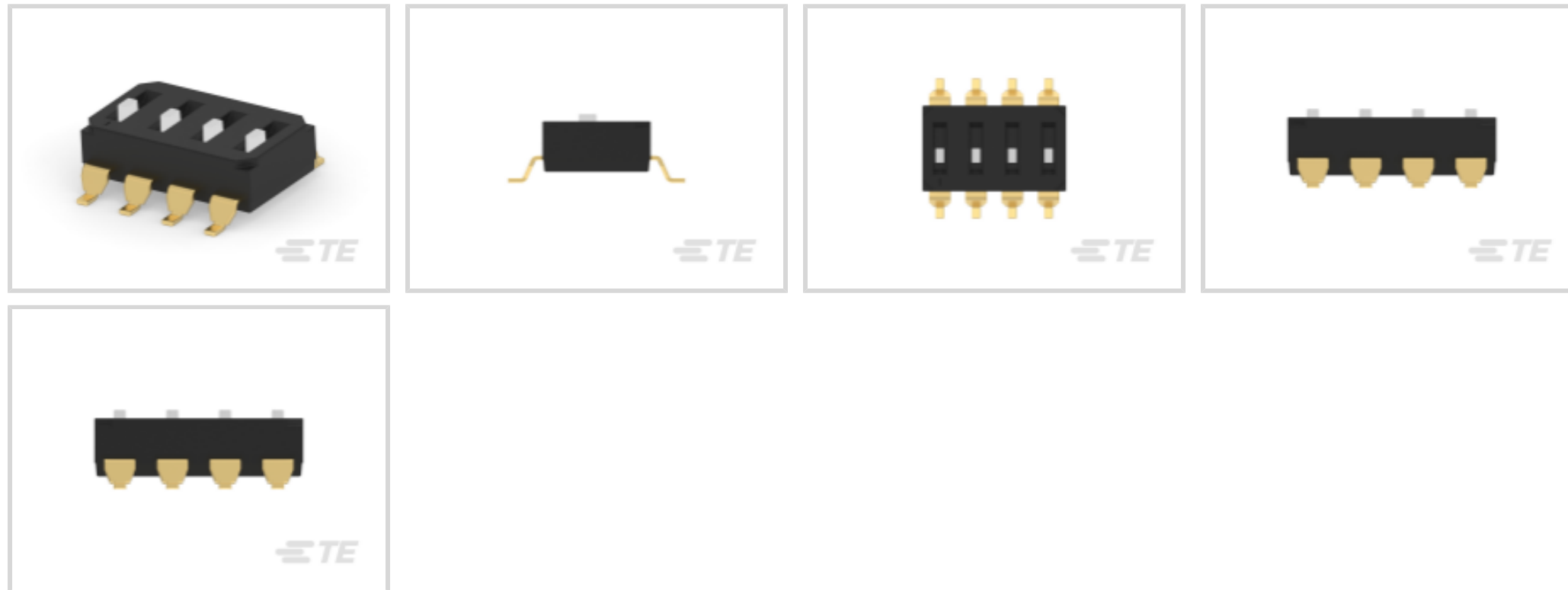
Alcoswitch | Alcoswitch DIP EDS

TE Internal #: 2-2319847-5

DIP & SIP Switches, Gold Flash, Black, High Temperature Nylon, 4 Switch, -20 – 85 °C, DIP, Slide Actuator Style, Alcoswitch DIP EDS

[View on TE.com >](#)

Switches > DIP & SIP Switches



Switch Contact Plating Material: **Gold Flash**

Case Color: **Black**

Case Material: **High Temperature Nylon**

Sealed Device: **No**

Number of Switches: **4**

## Features

### Product Type Features

Sealed Device	No
DIP & SIP Switch Type	DIP
Actuator Style	Slide

### Configuration Features

Number of Positions	4
Number of Switches	4
Configuration (Pole-Throw)	Single Pole - Single Throw

### Electrical Characteristics

Operating Voltage	24 VDC
-------------------	--------

### Body Features

Actuator Color	White
Sealing Method	Sealing Tape
Product Orientation	Vertical
Case Color	Black



Case Material	High Temperature Nylon
---------------	------------------------

### Contact Features

Contact Underplating Material	Nickel
-------------------------------	--------

PCB Contact Termination Area Plating Material	Gold Flash
---	------------

Switch Contact Plating Material	Gold Flash
---------------------------------	------------

Contact Current Rating	.025 A
------------------------	--------

Contact Base Material	Copper Alloy
-----------------------	--------------

### Termination Features

Termination Method to Printed Circuit Board	Surface Mount
---	---------------

### Housing Features

Centerline (Pitch)	2.54 mm[.1 in]
--------------------	----------------

### Dimensions

Product Length	10.06 mm[.396 in]
----------------	-------------------

Product Height	3.8 mm[.15 in]
----------------	----------------

### Usage Conditions

Operating Temperature Range	-20 – 85 °C
-----------------------------	-------------

### Packaging Features

Packaging Quantity	900
--------------------	-----

Packaging Method	Tape & Reel
------------------	-------------

### Product Compliance

[For compliance documentation, visit the product page on TE.com>](#)

EU RoHS Directive 2011/65/EU	Compliant
------------------------------	-----------

EU ELV Directive 2000/53/EC	Not Yet Reviewed
-----------------------------	------------------

China RoHS 2 Directive MIIT Order No 32, 2016	No Restricted Materials Above Threshold
---	---

EU REACH Regulation (EC) No. 1907/2006	Current ECHA Candidate List: JUNE 2023 (235) Candidate List Declared Against: JUNE 2023 (235) Does not contain REACH SVHC
--	---

Halogen Content	Low Halogen - Br, Cl, F, I < 900 ppm per homogenous material. Also BFR/CFR/PVC Free
-----------------	---

Solder Process Capability	Not reviewed for solder process capability
---------------------------	--



Product Compliance Disclaimer

This information is provided based on reasonable inquiry of our suppliers and represents our current actual knowledge based on the information they provided. This information is subject to change. The part numbers that TE has identified as EU RoHS compliant have a maximum concentration of 0.1% by weight in homogenous materials for lead, hexavalent chromium, mercury, PBB, PBDE, DBP, BBP, DEHP, DIBP, and 0.01% for cadmium, or qualify for an exemption to these limits as defined in the Annexes of Directive 2011/65/EU (RoHS2). Finished electrical and electronic equipment products will be CE marked as required by Directive 2011/65/EU. Components may not be CE marked. Additionally, the part numbers that TE has identified as EU ELV compliant have a maximum concentration of 0.1% by weight in homogenous materials for lead, hexavalent chromium, and mercury, and 0.01% for cadmium, or qualify for an exemption to these limits as defined in the Annexes of Directive 2000/53/EC (ELV). Regarding the REACH Regulation, the information TE provides on SVHC in articles for this part number is based on the latest European Chemicals Agency (ECHA) 'Guidance on requirements for substances in articles' posted at this URL: <https://echa.europa.eu/guidance-documents/guidance-on-reach>

### Compatible Parts



TE Part # 6-2319848-4  
 END STACK DIP1PGRECESSSEALT&R



TE Part # 4-2319848-5  
 END STACK DIP 3P G RECESS T&R



TE Part # 6-2319848-7  
 END STACK DIP 4P G RECESS SEAL T&R



TE Part # 6-2319848-8  
 END STACK DIP 5P G RECESS SEAL T&R



TE Part # 1-2319847-0  
 END STACK DIP 10P G RAISED TUBE



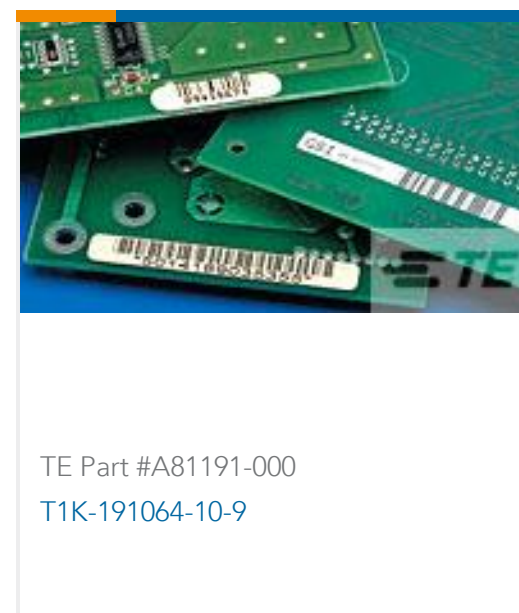
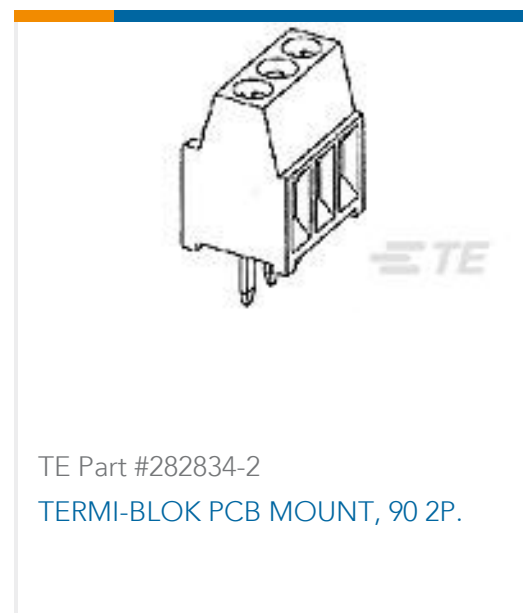
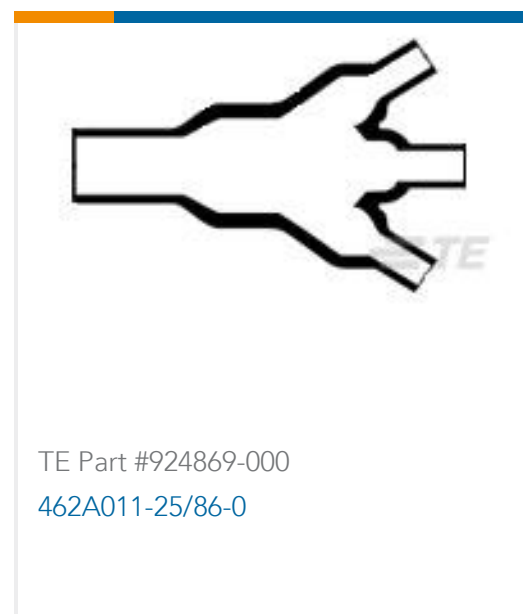
TE Part # 2319847-7  
 END STACK DIP 7P G RAISED TUBE

### Also in the Series | Alcoswitch DIP EDS



DIP & SIP Switches(121)

### Customers Also Bought



## Documents

### Product Drawings

END STACK DIP 4P G RAISED T&R

English

### CAD Files

3D PDF

3D

Customer View Model

[ENG\\_CVM\\_CVM\\_2-2319847-5\\_A.2d\\_dxf.zip](#)

English

Customer View Model

[ENG\\_CVM\\_CVM\\_2-2319847-5\\_A.3d\\_igs.zip](#)

English

Customer View Model

[ENG\\_CVM\\_CVM\\_2-2319847-5\\_A.3d\\_stp.zip](#)

English

By downloading the CAD file I accept and agree to the [Terms and Conditions](#) of use.

### Datasheets & Catalog Pages



[SWITCHES\\_CORE\\_PROGRAM\\_CATALOG](#)

English