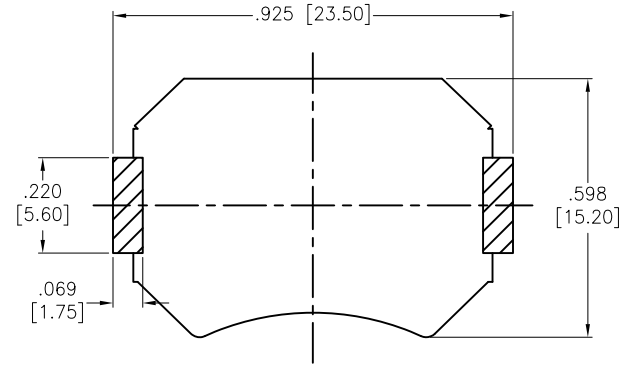
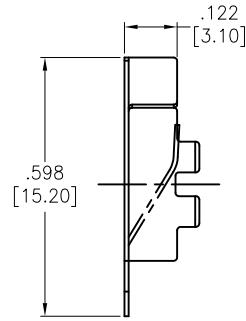
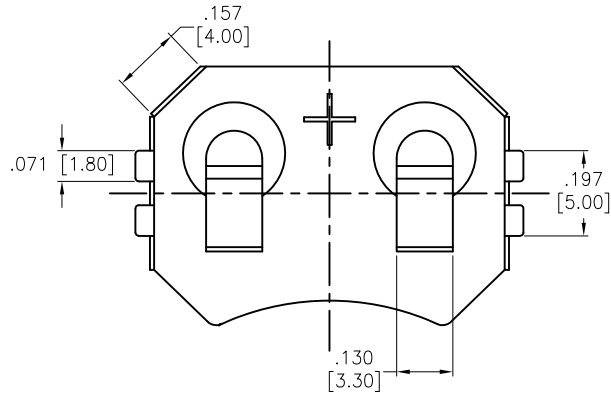
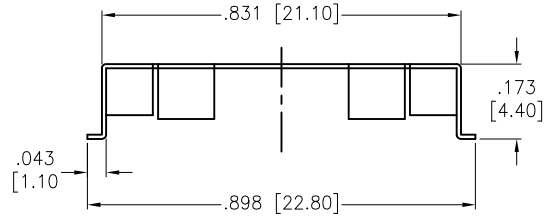


APPROVED: _____
 DATE: _____ TITLE: _____

Rev	AWO #	Description	Date	Appr
-		RELEASED	3/10/17	
A		UPDATED DRAWING	1/15/19	HR/YC



RECOMMENDED PCB LAYOUT



SPECIFICATIONS:
 Material: T=0.25mm Phosphor Bronze , Nickel plated.
 Environmental:
 Lead free, RoHS compliant



UNLESS OTHERWISE SPECIFIED
 ALL DIMENSIONS ARE INCHES [MM]
 TOLERANCES: EXCEPT AS NOTED
 INCHES HOLES
 .X ± .10 Ø.X ± .10
 .XX ± .020 Ø.XX ± .015
 .XXX ± .015 Ø.XXX ± .010

ADAM TECH
 INTERCONNECTS
 909 Rahway Avenue,
 Union, NJ 07083
 Phone: 908-687-5000
 Fax: 908-687-5710

APPROVALS		DATE
DRAWN	HR	3/10/17
CHECKED	MY	3/10/17
APPROVED		

TITLE		
BATTERY CLIP, CR 2032		
SIZE	PART NO.	REV.
X	BH-67B-5	A
REF: S00136C	SCALE: NTS	SHEET 1 OF 1