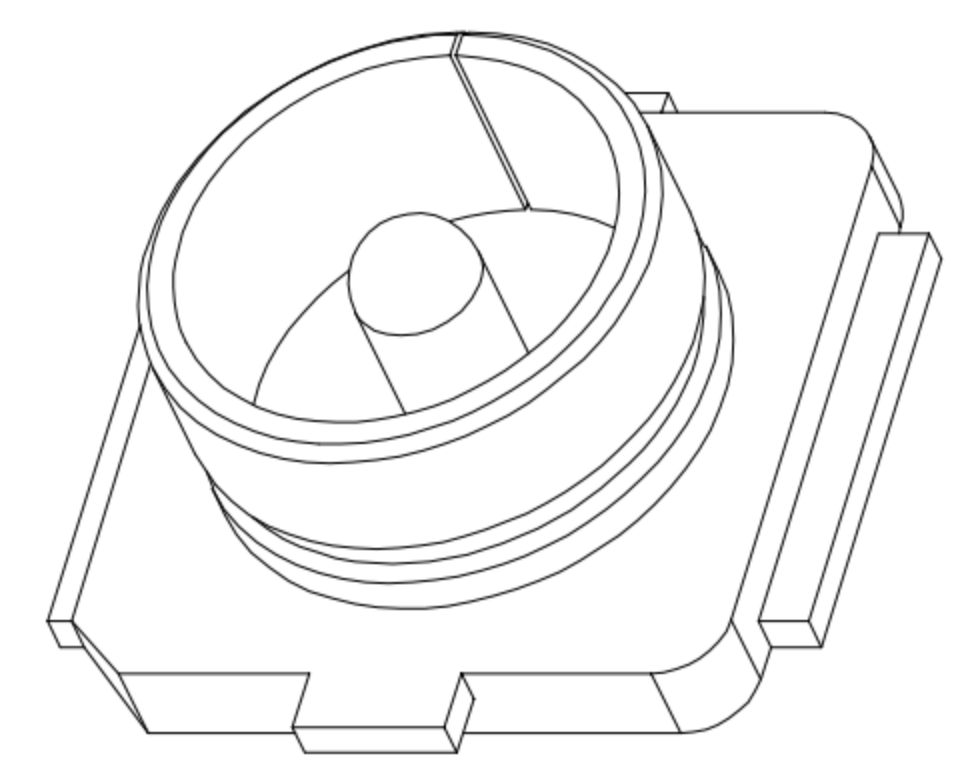
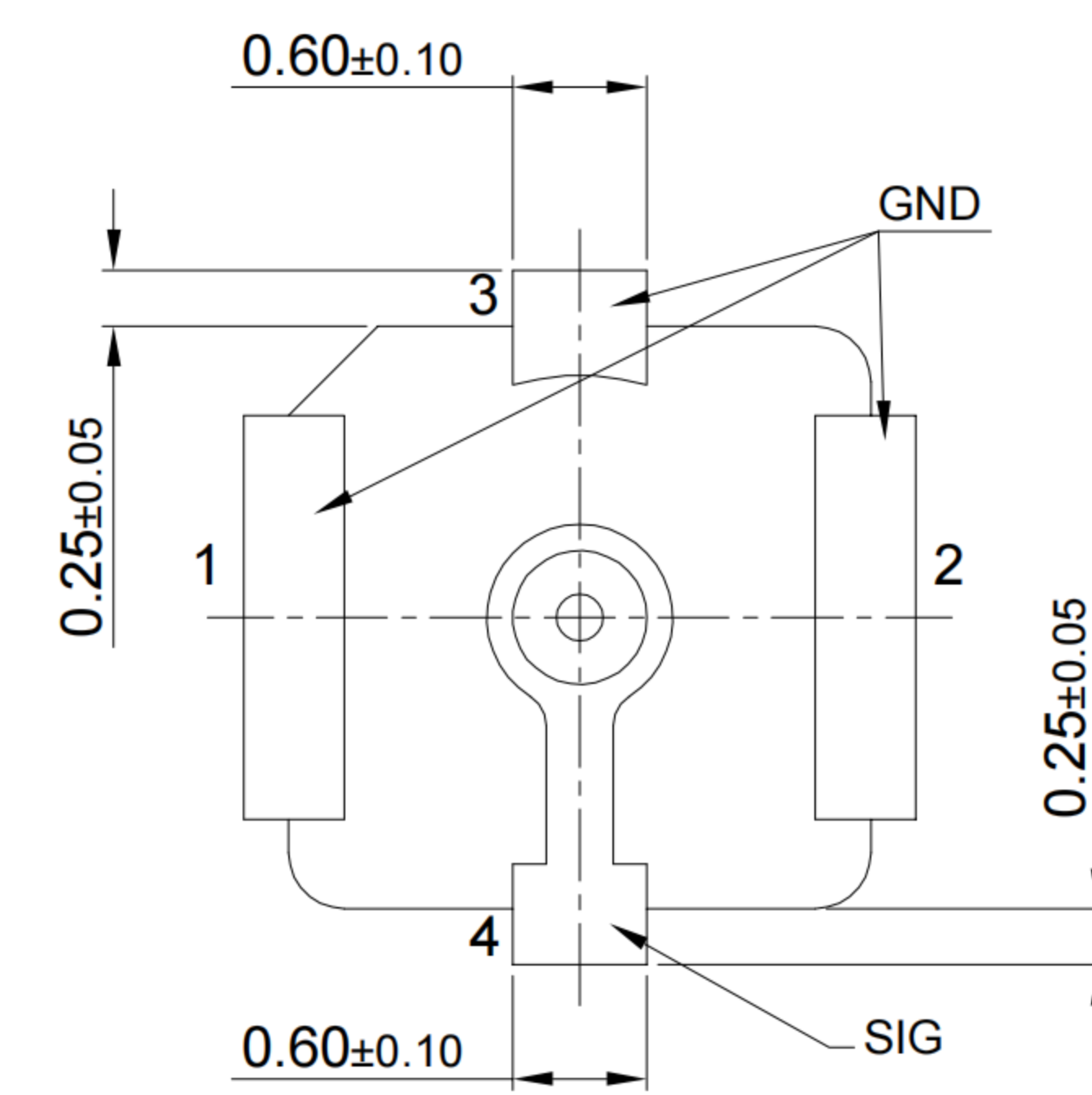


RECOMMENDED PCB LAYOUT 1
TOLERANCE:±0.05

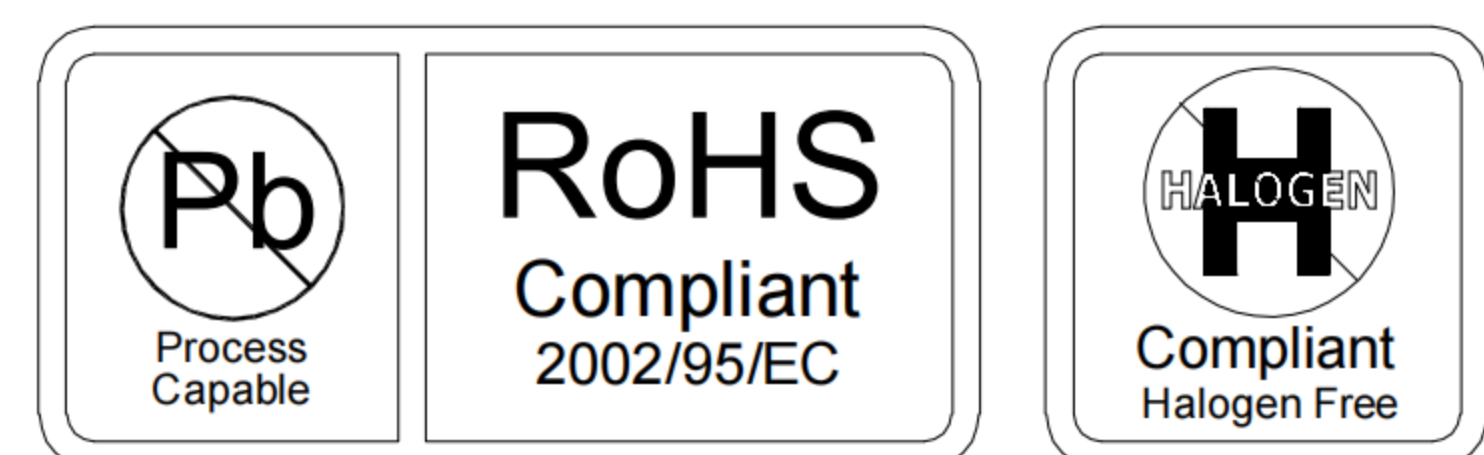
RECOMMENDED PCB LAYOUT 2
TOLERANCE:±0.05



G-Switch RF Specification:

- 1.Contact Resistance: 20mΩ Max;
- 2.Dielectric Withstanding Voltage: 200V AC For 1 Minute;
- 3.Insulation Resistance: 1000MΩ Min;
- 4.Frequency Range: DC up to 6GHz
Vswr:1.3 Max. at 0~3GHz;
Vswr:1.4 Max. at 3~6GHz;
- 5.Operating Temperature: -40°C to + 90°C.
- 6.Heat sealed packaging

Item	Title	Material/Finish
1	Terminal	Copper Alloy/Gold Plated Over Ni
2	Shell	Copper Alloy/Gold Plated Over Ni
3	Housing	High Temp. Platic UL94V-0/White



SCALE: 9:1	UNIT: mm
SIZE: A4	
Unless otherwise General Tolerance:	
X.	±0.30
X.x	±0.20
X.xx	±0.15
X.xxx	±0.10
Angles	±3°

Title: RF I Receptacle Conn SMT 2.6×2.6×H1.25mm			
Molde Code: GT-RF1125A-03G			
DRAWN	CHECKED	APPROVED	DATE
Xia	Chen	Chen	2022.11.30

