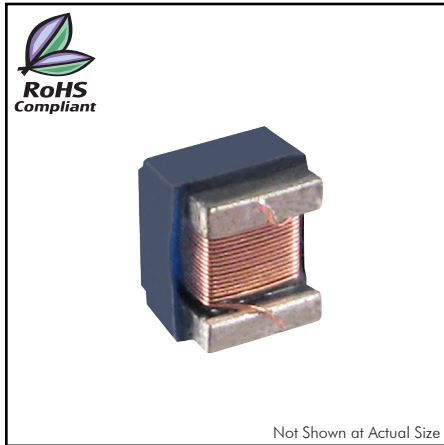


CT0805LSF Series

From 78 nH to 47000 nH



SPECIFICATIONS

Please specify tolerance code when ordering.
CT0805LSF-78N ← J = ±5%, K = ±10%

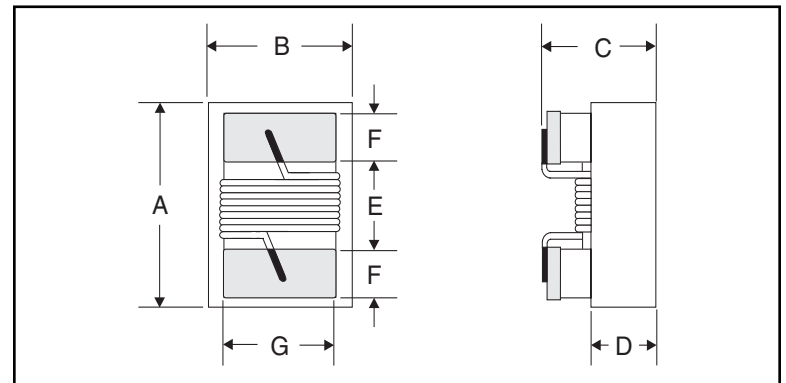
| Part Number | Inductance (nH) | L Test Freq. (MHz) | Q Fact. Min. | Q Test Freq. (MHz) | SRF Min. (MHz) | DCR Max. (Ω) | Rated DC (mA) |
|----------------|-----------------|--------------------|--------------|--------------------|----------------|--------------|---------------|
| CT0805LSF-78N_ | 78 | 7.9 | 19 | 7.9 | 1400 | 0.06 | 2000 |
| CT0805LSF-111_ | 110 | 7.9 | 19 | 7.9 | 1200 | 0.07 | 2000 |
| CT0805LSF-471_ | 470 | 7.9 | 19 | 7.9 | 480 | 0.40 | 800 |
| CT0805LSF-681_ | 680 | 7.9 | 20 | 7.9 | 480 | 0.40 | 800 |
| CT0805LSF-102_ | 1000 | 7.9 | 20 | 7.9 | 400 | 0.69 | 700 |
| CT0805LSF-122_ | 1200 | 7.9 | 20 | 7.9 | 330 | 0.83 | 700 |
| CT0805LSF-152_ | 1500 | 7.9 | 20 | 7.9 | 330 | 0.83 | 700 |
| CT0805LSF-182_ | 1800 | 7.9 | 20 | 7.9 | 300 | 1.00 | 650 |
| CT0805LSF-222_ | 2200 | 7.9 | 20 | 7.9 | 250 | 1.10 | 650 |
| CT0805LSF-272_ | 2700 | 7.9 | 20 | 7.9 | 200 | 1.25 | 650 |
| CT0805LSF-332_ | 3300 | 7.9 | 20 | 7.9 | 160 | 1.45 | 650 |
| CT0805LSF-392_ | 3900 | 7.9 | 20 | 7.9 | 90 | 1.50 | 600 |
| CT0805LSF-471_ | 4700 | 7.9 | 20 | 7.9 | 70 | 1.60 | 530 |
| CT0805LSF-562_ | 5600 | 7.9 | 20 | 7.9 | 65 | 1.70 | 500 |
| CT0805LSF-682_ | 6800 | 7.9 | 20 | 7.9 | 45 | 1.95 | 470 |
| CT0805LSF-822_ | 8200 | 2.5 | 16 | 2.5 | 45 | 2.10 | 450 |
| CT0805LSF-103_ | 10000 | 2.5 | 16 | 2.5 | 40 | 2.40 | 400 |
| CT0805LSF-123_ | 12000 | 2.5 | 16 | 2.5 | 38 | 3.20 | 360 |
| CT0805LSF-153_ | 15000 | 2.5 | 16 | 2.5 | 35 | 3.55 | 350 |
| CT0805LSF-183_ | 18000 | 2.5 | 16 | 2.5 | 25 | 4.90 | 300 |
| CT0805LSF-223_ | 22000 | 2.5 | 16 | 2.5 | 20 | 5.45 | 270 |
| CT0805LSF-273_ | 27000 | 2.5 | 16 | 2.5 | 19 | 7.80 | 240 |
| CT0805LSF-473_ | 47000 | 2.5 | 16 | 2.5 | 15 | 14.5 | 180 |

CHARACTERISTICS

- Description:** SMD ferrite core wire-wound chip inductor
- Applications:** LC resonant circuits such as oscillator and signal generators, impedance matching, circuit isolation, RF filters, disk drives and computer peripherals, audio and video equipment, TV, radio and telecommunication equipment
- Operating Temperature:** -25°C to +85°C
- Inductance Tolerance:** ±5%, ±10%
- Testing:** Inductance and Q are tested on an HP4287A at specified frequency
- Packaging:** Tape & Reel
- Miscellaneous:** RoHS Compliant
- Miscellaneous:** Additional values available
- Additional Information:** Additional electrical & physical information available upon request
- Samples available.** See website for ordering information.

PHYSICAL DIMENSIONS

| Size | A Max. | B Max. | C Max. | D Ref. | E | F | G |
|--------|--------|--------|--------|--------|-------|-------|-------|
| mm | 2.29 | 1.60 | 1.52 | 0.70 | 1.02 | 0.50 | 1.27 |
| inches | 0.090 | 0.063 | 0.060 | 0.028 | 0.040 | 0.020 | 0.050 |



PAD LAYOUT

