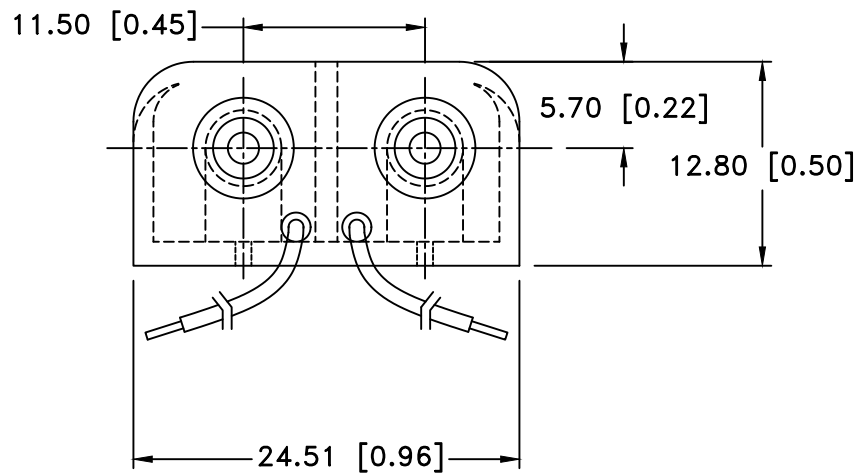
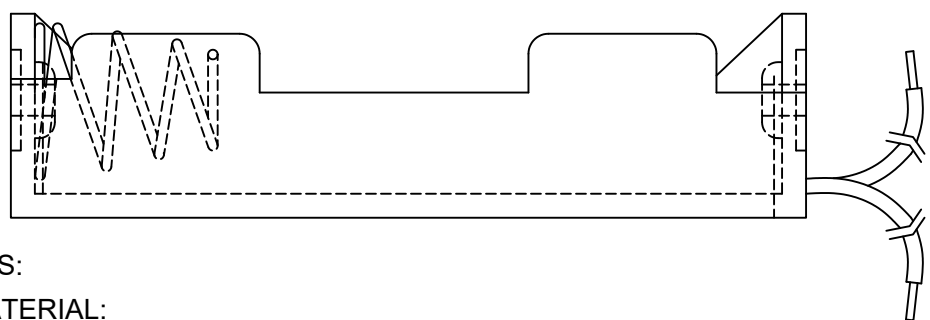
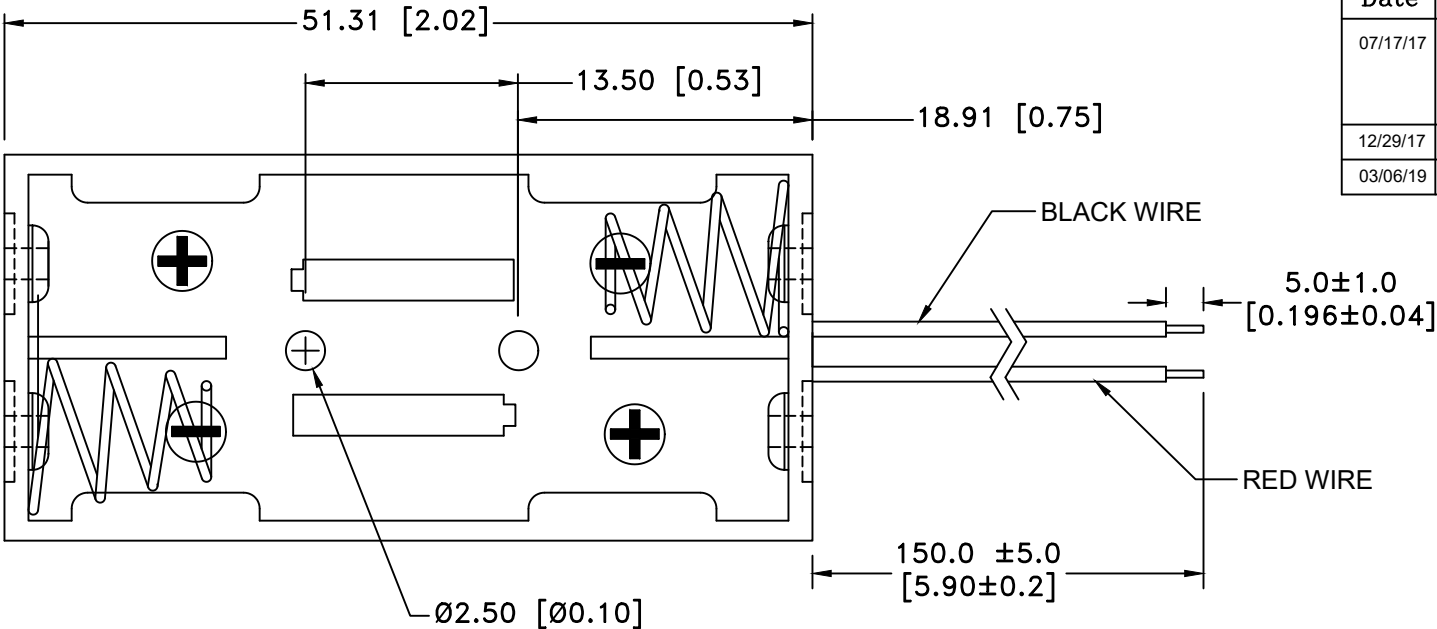



Date	SYM	REVISION RECORD	AUTH	DR.	CK.
07/17/17	H	DIM. 51.31 WAS 51.40 DIM. 13.50 WAS 13.60 DIM. 18.91 WAS 18.29 DIM. 24.51 WAS 24.20 DIM. 5.70 WAS 5.49	T.B.	B.S.	
12/29/17	J	REMOVED CUT AWAY FEATURE	T.B.	B.S.	
03/06/19	K	UPDATED TO "ROHS COMPLIANT"	T.B.	B.S.	



NOTES:
 1. MATERIAL:
 HOUSING : POLYPROPYLENE, UL94-HB, UL FILE NO. E216959
 TEMPERATURE RANGE: -10°C to +140°C
 RIVETS: BRASS, NICKEL PLATED.
 SPRING: SPRING STEEL, NICKEL PLATED.
 WIRE: 26 AWG, UL1007, CSA, TR64
 CONTACT RESISTANCE: UNDER 50mΩ FOR +/- CONTACTS PER EIA-540J000

ROHS COMPLIANT

Mounting Instruction:
 Use 2-56 machine screws or eyelets 0.089" OD by 0.15" flange simpson GS-3 series or equivalent. also adhesives and double sided tapes work well.

Tolerance (Except as noted)	 Memory Protection Devices, Inc 200 Broad Hollow Road, Farmingdale, New York 11735		
decimal ±.5 (.020)		Scale	Drawn By B.S.
Fractional ± .8 (.030)	Title TWO "AAA" CELL HOLDER WITH WIRE LEADS		
Angular ± 3°	Date 03/06/19	Drawing Number BC2AAAW	
		Approved By T.B.	