

66590-2 ✓ ACTIVE

AMP | AMP Type IV

TE Internal #: 66590-2

Socket Contact, Gold, 250 VAC, 250 VDC, Size 16 Contact Size, 18 – 16 AWG Wire Size, .8 – 1.4 mm² Wire Size, Crimp, Brass, Power, AMP Type IV

[View on TE.com >](#)



Connectors > Contacts > Connector Contacts



Contact Type: **Socket**

Contact Mating Area Plating Material: **Gold**

Wire Contact Termination Area Plating Material: **Tin-Lead**

Operating Voltage: **250 VDC**

Features

Product Type Features

Sealable	No
----------	----

Electrical Characteristics

Operating Voltage	250 VDC
-------------------	---------

Contact Features

Mating Pin Diameter	1.57 mm[.062 in]
---------------------	------------------

Contact Underplating Material Thickness	1.27 μm[50 μin]
---	-----------------

Wire Contact Termination Area Plating Thickness	1.27 μm[50 μin]
---	-----------------

Wire Contact Termination Area Plating Material Finish	Bright
---	--------

Contact Mating Area Plating Material Thickness	.76 μm[30 μin]
--	----------------

Contact Mating Area Plating Material Finish	Bright
---	--------

Contact Orientation	Straight
---------------------	----------

Contact Underplating Material	Nickel
-------------------------------	--------

Contact Type	Socket
--------------	--------

Contact Mating Area Plating Material	Gold
--------------------------------------	------

Wire Contact Termination Area Plating Material	Tin-Lead
--	----------



Contact Retention Within Housing	With
Contact Size	Size 16
Contact Base Material	Brass
Contact Current Rating (Max)	1.8 A

Termination Features

Termination Method to Wire & Cable	Crimp
Product Terminates To	Wire & Cable

Mechanical Attachment

Wire Insulation Support	With
-------------------------	------

Dimensions

Compatible Insulation Diameter Range	2.03 – 2.54 mm [.08 – .1 in]
Wire Size	.8 – 1.4 mm ²

Usage Conditions

Operating Temperature Range	-55 – 150 °C [-67 – 302 °F]
-----------------------------	-----------------------------

Operation/Application

Circuit Application	Power
---------------------	-------

Packaging Features

Packaging Method	Carton
------------------	--------

Product Compliance

For compliance documentation, visit the product page on [TE.com](https://www.te.com)>

EU RoHS Directive 2011/65/EU	Not Compliant
EU ELV Directive 2000/53/EC	Compliant with Exemptions
China RoHS 2 Directive MIIT Order No 32, 2016	Restricted Materials Above Threshold
EU REACH Regulation (EC) No. 1907/2006	Current ECHA Candidate List: JUNE 2023 (235) Candidate List Declared Against: JUNE 2023 (235) SVHC > Threshold: Pb (13% in Component Part) Article Safe Usage Statements: Do not eat, drink or smoke when using this product. Wash thoroughly after handling. Recycle if possible and dispose of the article by following all applicable governmental regulations relevant to your geographic location.
Halogen Content	Low Halogen - Br, Cl, F, I < 900 ppm per homogenous material. Also BFR/CFR/PVC Free

Solder Process Capability

Not applicable for solder process capability

Product Compliance Disclaimer

This information is provided based on reasonable inquiry of our suppliers and represents our current actual knowledge based on the information they provided. This information is subject to change. The part numbers that TE has identified as EU RoHS compliant have a maximum concentration of 0.1% by weight in homogenous materials for lead, hexavalent chromium, mercury, PBB, PBDE, DBP, BBP, DEHP, DIBP, and 0.01% for cadmium, or qualify for an exemption to these limits as defined in the Annexes of Directive 2011/65/EU (RoHS2). Finished electrical and electronic equipment products will be CE marked as required by Directive 2011/65/EU. Components may not be CE marked. Additionally, the part numbers that TE has identified as EU ELV compliant have a maximum concentration of 0.1% by weight in homogenous materials for lead, hexavalent chromium, and mercury, and 0.01% for cadmium, or qualify for an exemption to these limits as defined in the Annexes of Directive 2000/53/EC (ELV). Regarding the REACH Regulation, the information TE provides on SVHC in articles for this part number is based on the latest European Chemicals Agency (ECHA) 'Guidance on requirements for substances in articles' posted at this URL: <https://echa.europa.eu/guidance-documents/guidance-on-reach>

Compatible Parts



TE Part # 58495-2
PROCRIMPER DIE ASSY MULTIMATE



TE Part # 91505-1
CCII TYPE III+ 24-16 ASSY




TE Part # 58495-1
PRO CRIMPER ASSY MULTIMATE



TE Part # 91523-1
CCII TYPE III+ PIN SKT 24-16 ASSY

Also in the Series | AMP Type IV



Connector Contacts(52)

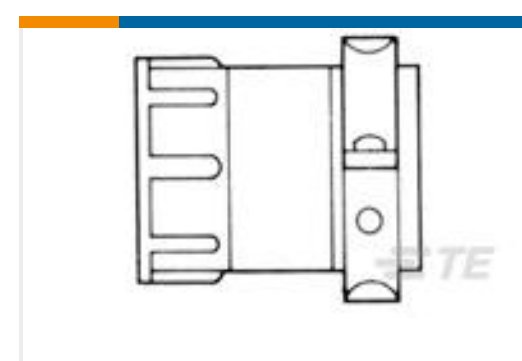
Customers Also Bought



TE Part #227699-2
BNC PCB VERTICAL



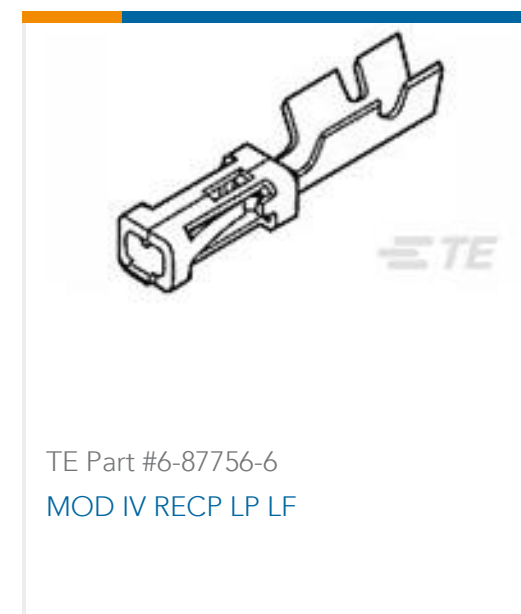
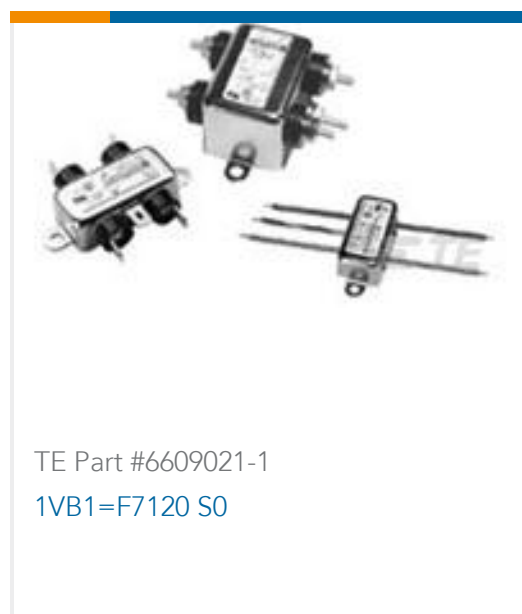
TE Part #206039-1
CPC PLUG ASSEMBLY SIZE 17-28



TE Part #206322-9
CABLE CLAMP SIZE 17



TE Part #5747871-8
09 PLUG SP/FMS INSRT



Documents

Product Drawings

TYPE VI SKT, MULTI-MATE, L.P.

English

CAD Files

3D PDF

3D

Customer View Model

[ENG_CVM_CVM_66590-2_N.2d_dxf.zip](#)

English

Customer View Model

[ENG_CVM_CVM_66590-2_N.3d_igs.zip](#)

English

Customer View Model

[ENG_CVM_CVM_66590-2_N.3d_stp.zip](#)

English

3D PDF

English

Customer View Model

[ENG_CVM_66590-2_G.2d_dxf.zip](#)

English

Customer View Model

[ENG_CVM_66590-2_G.3d_igs.zip](#)

English

Customer View Model

[ENG_CVM_66590-2_G.3d_stp.zip](#)

English



By downloading the CAD file I accept and agree to the [Terms and Conditions](#) of use.

Product Specifications

Application Specification

Japanese

Application Specification

English

Instruction Sheets

Instruction Sheet (U.S.)

Japanese

Instruction Sheet (U.S.)

English

Agency Approvals

Agency Approval Document

English