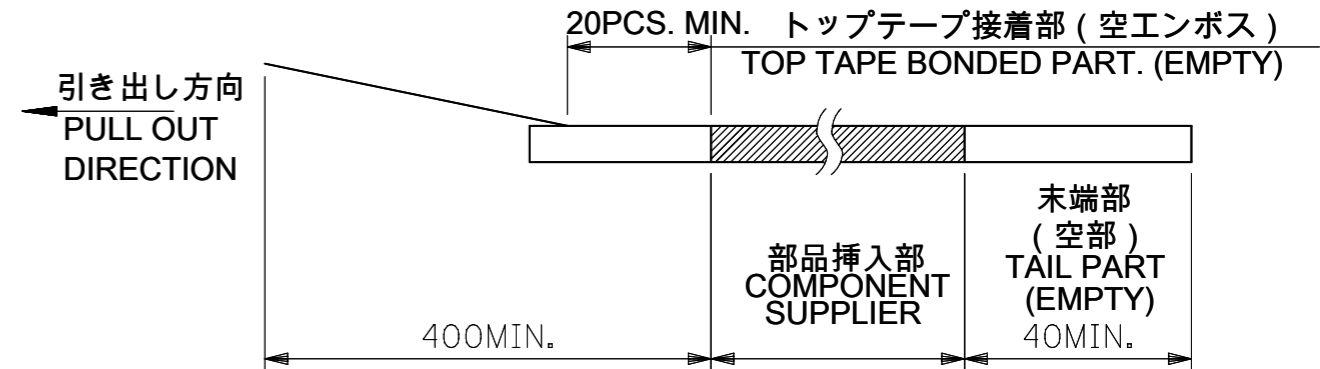


注記 NOTES

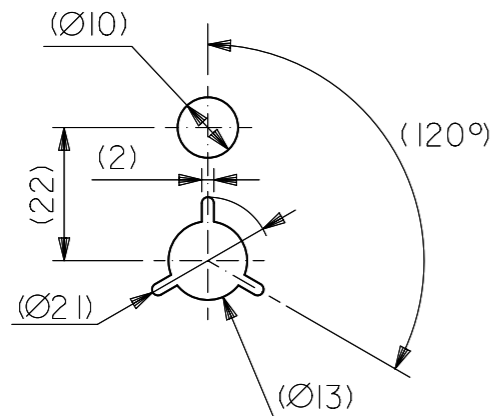
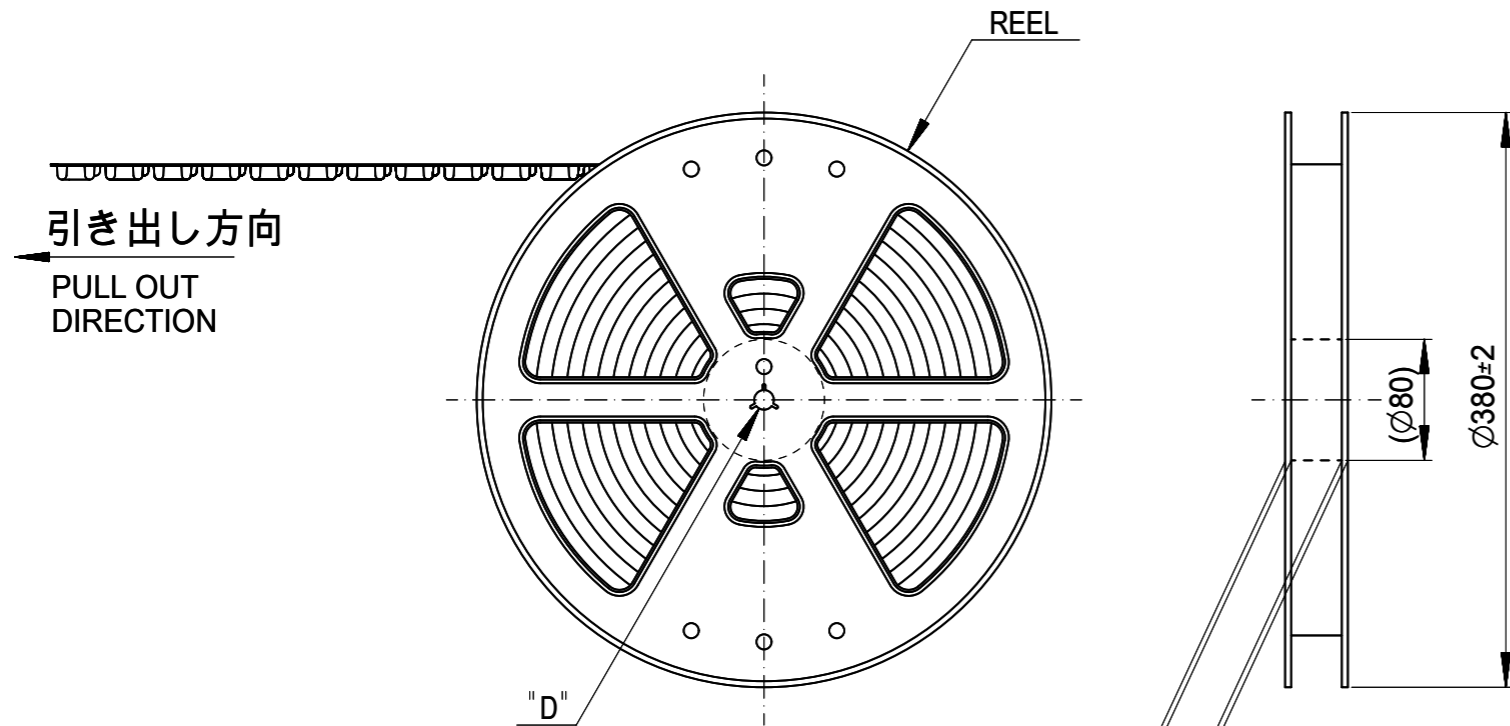
- 製品詳細寸法については製品単体図面を参照下さい。  
SEE PRODUCT DRAWING ABOUT DETAILED DIMENSION.
- 梱包数量：9000個 / リール  
NUMBER OF CONNECTORS : 9000PCS/REEL
- リードテープ長さ LEAD TAPE LENGTH



- カバーテープの剥離強度については、IEC60286-3に準拠  
COVER TAPE PEEL FORCE IS DEFINED BY IEC 60286-3

5. 材料 MATERIAL

キャリアテープ:ポリスチレン ( P S )  
CARRIER TAPE:POLYSTYRENE(PS)  
トップテープ:PET,OTHER  
TOP TAPE:PET,OTHER  
リール:ポリスチレン<リサイクル材を含む>  
REEL:POLYSTYRENE(PS) < RECYCLE MATERIAL CONTAINED >

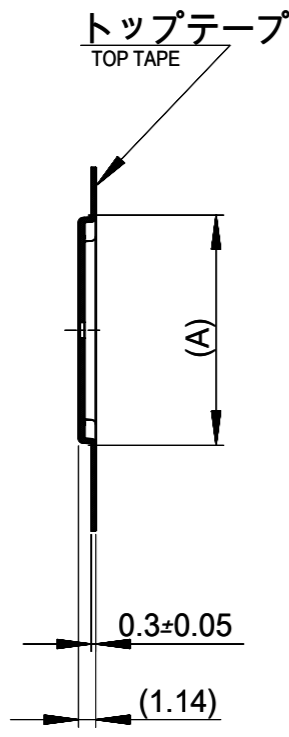


DETAIL "D"

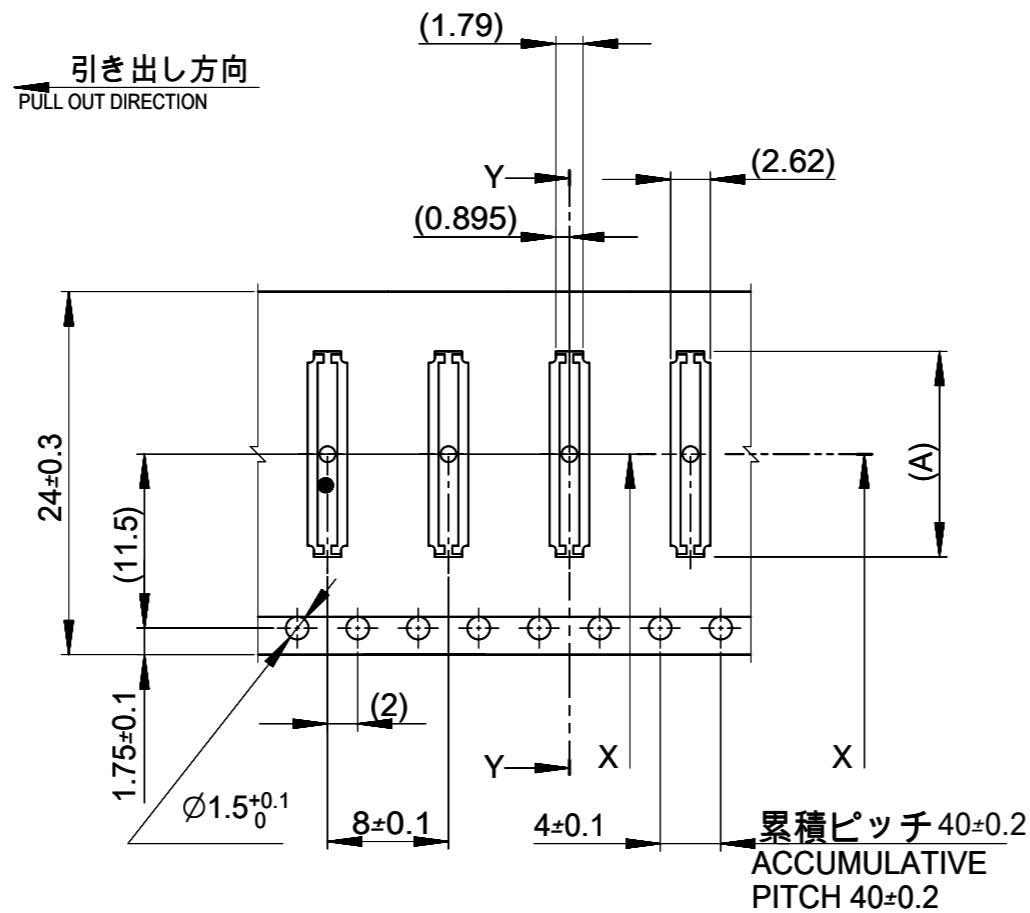
MODEL NO. 503308-\*\*12

THIS DRAWING CONTAINS INFORMATION THAT IS PROPRIETARY TO MOLEX ELECTRONIC TECHNOLOGIES, LLC AND SHOULD NOT BE USED WITHOUT WRITTEN PERMISSION									
EC NO: 169127 DRWN: ESATO CHK'D: TNAKAGAWA01 APPR: MSASAO	2017/09/26 2017/12/06 2017/12/06	GENERAL TOLERANCES (UNLESS SPECIFIED)		DIMENSION UNITS	SCALE				
				mm	NTS				
		ANGULAR TOL ±		DRWN BY	DATE	0.4 B-TO-B CONN. HGT=0.7 PLUG ASSY EMBSTP PKG			
		4 PLACES ±		MISOGAYA	2016/12/14				
		3 PLACES ±		CHK'D BY	DATE	PRODUCT CUSTOMER DRAWING			
		2 PLACES ±		KTAKAHASHI	2017/01/19				
1 PLACE ±		APPR BY	DATE	SERIES MATERIAL NUMBER CUSTOMER					
0 PLACES ±		MSASAO	2017/01/19					503308	SEE CHART
DRAFT WHERE APPLICABLE MUST REMAIN WITHIN DIMENSIONS		DRAWING SIZE	THIRD ANGLE PROJECTION	DOCUMENT NUMBER DOC TYPE DOC PART SHEET NUMBER					
		A3		5033080002 PSD 000 1 OF 3					

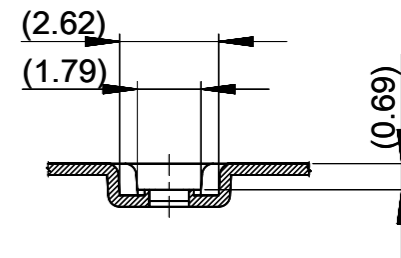




SECTION Y-Y



24mm 幅キャリアテープ  
24mm WIDTH CARRIER TAPE



SECTION X-X

24	29.4	25.4	13.59	503308-6012	60
			11.59	503308-5012	50
			10.39	503308-4412	44
			9.99	503308-4212	42
			9.59	503308-4012	40
			7.59	503308-3012	30
キャリアテープ幅 CARRIER TAPE WIDTH	C	B	(A)	EMBOSSED PACKAGE	極数
				オーダー番号 ORDER No.	CIRCUIT
				CONNECTOR SERIES No.503308-**09	

THIS DRAWING CONTAINS INFORMATION THAT IS PROPRIETARY TO MOLEX ELECTRONIC TECHNOLOGIES, LLC AND SHOULD NOT BE USED WITHOUT WRITTEN PERMISSION

EC NO: 169127 DRWN: ESATO CHK'D: TNAKAGAWA01 APPR: MSASAO	2017/09/26 2017/12/06 2017/12/06	GENERAL TOLERANCES (UNLESS SPECIFIED)		DIMENSION UNITS	SCALE	
		ANGULAR TOL ± °		mm	NTS	
		4 PLACES ±	°	DRWN BY	DATE	
		3 PLACES ±	°	MISOGAYA	2016/12/14	
		2 PLACES ±	°	CHK'D BY	DATE	
		1 PLACE ±	°	KTAKAHASHI	2017/01/19	
0 PLACES ±	°	APPR BY	DATE	MSASAO	2017/01/19	0.4 B-TO-B CONN. HGT=0.7 PLUG ASSY EMBSTP PKG
DRAFT WHERE APPLICABLE MUST REMAIN WITHIN DIMENSIONS				DRAWING SIZE	THIRD ANGLE PROJECTION	
				A3		
PRODUCT CUSTOMER DRAWING			SERIES	MATERIAL NUMBER	CUSTOMER	
			503308	SEE CHART	GENERAL	
DOCUMENT NUMBER			DOC TYPE	DOC PART	SHEET NUMBER	
5033080002			PSD	000	3 OF 3	

注記 NOTES

1. 使用材料 MATERIAL

ハウジング : 液晶ポリマー ( LCP ) UL94V-0 ( 黒 )  
 HOUSING: LIQUID CRYSTAL POLYMER UL94V-0 ( COLOR:BLACK)  
 ターミナル : 銅合金  
 TERMINAL : COPPER ALLOY  
 金具 : 銅合金  
 FITTING NAIL : COPPER ALLOY

2. メッキ仕様 PLATING

ターミナル TERMINAL  
 金メッキ  
 GOLD  
 下地メッキ : ニッケルメッキ  
 UNDER PLATING : NICKEL  
 ※コンタクト部とテール部はニッケルメッキによって分断されている金メッキです。  
 DIVIDE INTO PARTS THE GOLD PLATING OF THE CONTACT  
 AND THE TAIL PART BY THE NICKEL PLATING.

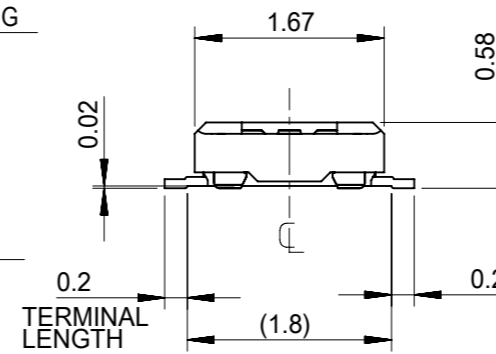
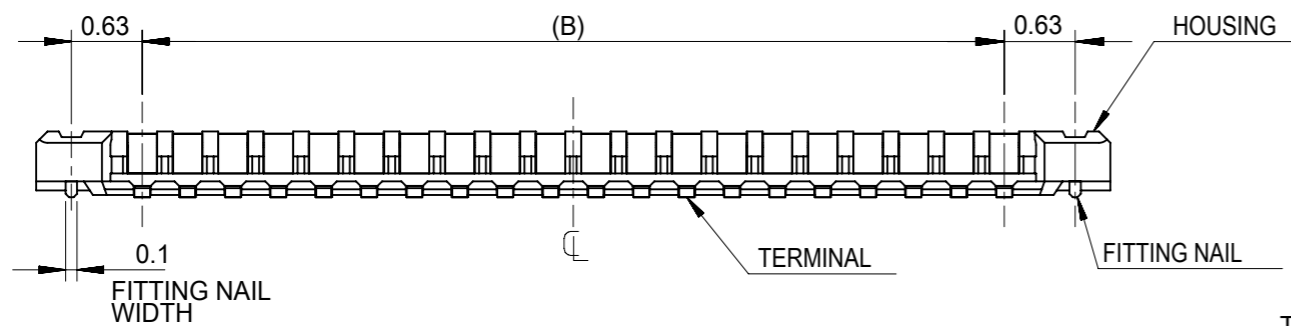
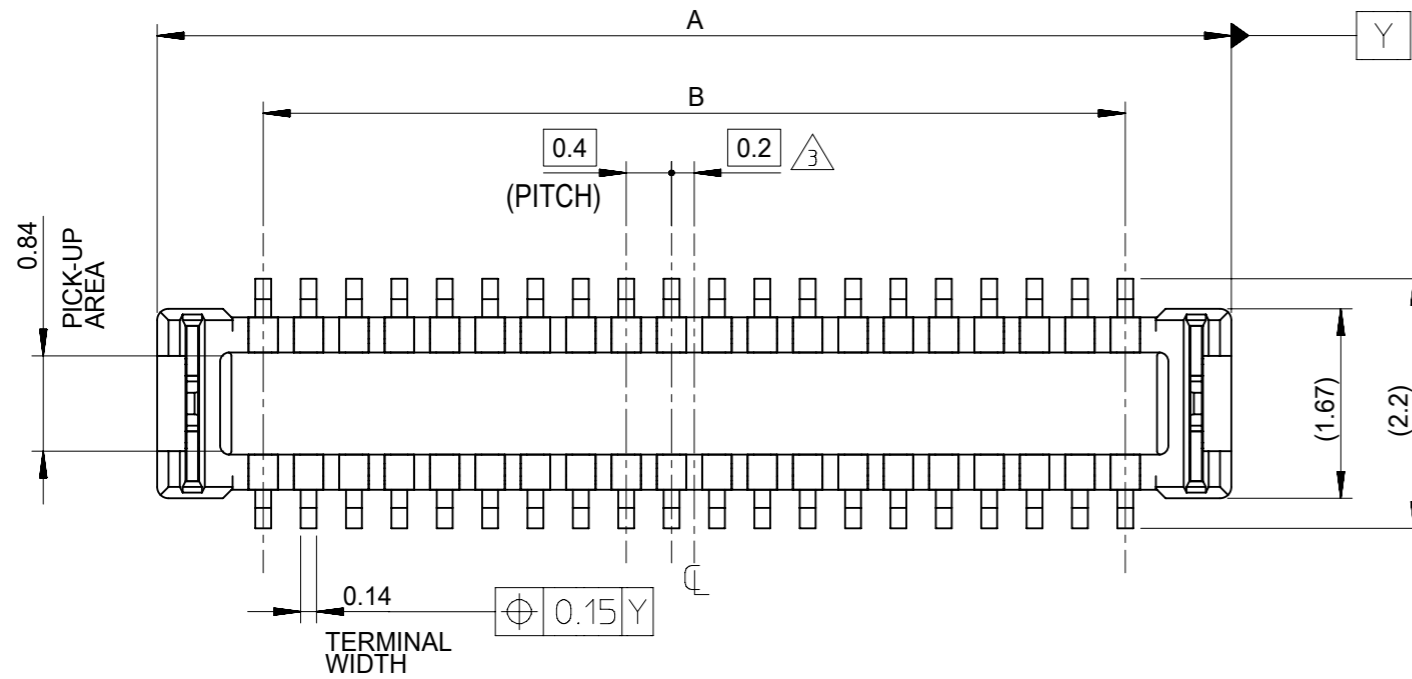
金具 FITTING NAIL

錫メッキ Tin PLATING  
 下地メッキ : ニッケルメッキ  
 UNDER PLATING : NICKEL

( 全極数 / 2 ) = 偶数の場合に適用。  
 APPLY FOR (CIRCUIT/2)=EVEN.

4. 嵌合相手 : 503304シリーズ  
 MATE WITH : 503304 SERIES.

5. テール平坦度は、0.08以下  
 テール及び金具の平坦度は、0.1以下  
 TAIL COPLANARITY TO BE 0.08MAXIMUM.  
 TAIL AND FITTING NAIL COPLANARITY  
 TO BE 0.1MAXIMUM.

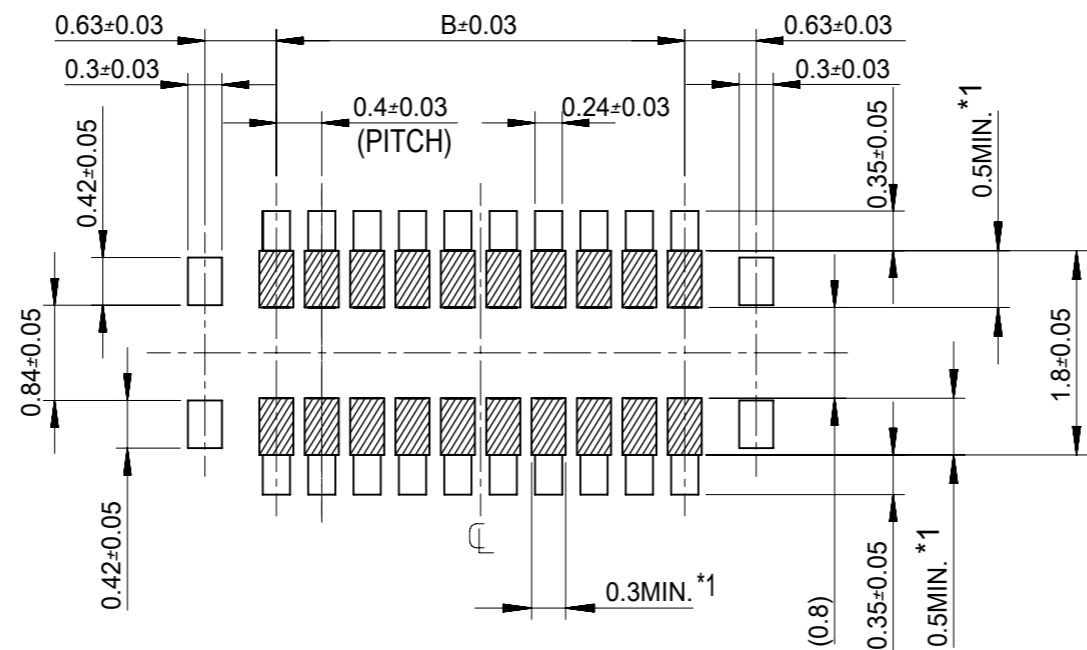


11.6	13.47	503308-6012	60
9.6	11.47	503308-5012	50
8.4	10.27	503308-4412	44
8.0	9.87	503308-4212	42
7.6	9.47	503308-4012	40
5.6	7.47	503308-3012	30
4.8	6.67	503308-2612	26
4.4	6.27	503308-2412	24
3.6	5.47	503308-2012	20
3.2	5.07	503308-1812	18
2.8	4.67	503308-1612	16
2.0	3.87	503308-1212	12
B	A	EMBOSSED PACKAGE	
		オーダー番号 ORDER No.	極数 CIRCUITS
		CONNECTOR SERIES No. : 503308-**09	

GENERAL TOLERANCES (UNLESS SPECIFIED)	
10 UNDER	±0.2
10 OVER 30 UNDER	±0.25
30 OVER	±0.3
ANGULAR	± 1 °
DRAFT WHERE APPLICABLE MUST REMAIN	

THIS DRAWING CONTAINS INFORMATION THAT IS PROPRIETARY TO MOLEX ELECTRONIC TECHNOLOGIES, LLC AND SHOULD NOT BE USED WITHOUT WRITTEN PERMISSION

EC NO: 122477	DRWN: ESATO	CHK'D: KTAKAHASHI	APPR: NUKITA	DATE: 2017/09/26	DATE: 2017/09/28	DATE: 2017/09/28
GENERAL TOLERANCES (UNLESS SPECIFIED)				DIMENSION UNITS	SCALE	
ANGULAR TOL ± °				mm	15:1	
4 PLACES ±				DRWN BY	DATE	
3 PLACES ±				MISOGAYA	2016/12/14	
2 PLACES ±				CHK'D BY	DATE	0.4 B-TO-B CONN.HGT=0.7 W=2.6 PLUG ASSY
1 PLACE ±				KTAKAHASHI	2017/01/19	
0 PLACES ±				APPR BY	DATE	
DRAFT WHERE APPLICABLE MUST REMAIN WITHIN DIMENSIONS				MSASAO	2017/01/19	PRODUCT CUSTOMER DRAWING
DRAWING SIZE		THIRD ANGLE PROJECTION		SERIES	MATERIAL NUMBER	CUSTOMER
A3				503308	SEE TABLE	GENERAL
RELEASE STATUS				DOC TYPE	DOC PART	SHEET NUMBER
P1				PSD	000	1 OF 2
RELEASE DATE				DOCUMENT NUMBER		
28.09.2017 08:08:54				5033081002		



RECOMMENDED P.W. BOARD  
PATTERN LAYOUT

\*1 パターン引き回し、および半田禁止エリア  
(当該箇所においては、これと接する回路以外の配線を禁止する。  
半田は無きこととする。)

\*1 PROHIBITED AREA OF PATTERN WIRING AND SOLDER.  
(FOR EACH AREA, THE WIRING THAT TOUCHES ON THE SOLDER  
CAN BE ATTACHED, THEN COVERED WITH A FILM TO KEEP SOLDER OUT.)

GENERAL TOLERANCES (UNLESS SPECIFIED)	
10 UNDER	±0.2
10 OVER 30 UNDER	±0.25
30 OVER	±0.3
ANGULAR	± 1 °
DRAFT WHERE APPLICABLE MUST REMAIN WITHIN DIMENSIONS	

THIS DRAWING CONTAINS INFORMATION THAT IS PROPRIETARY TO MOLEX ELECTRONIC TECHNOLOGIES, LLC AND SHOULD NOT BE USED WITHOUT WRITTEN PERMISSION											
EC NO: 122477 DRWN: ESATO CHK'D: KTAKAHASHI REV APPR: NUKITA	GENERAL TOLERANCES (UNLESS SPECIFIED)		DIMENSION UNITS	SCALE							
	ANGULAR TOL ± °		mm	15:1							
	4 PLACES ±	DRWN BY	DATE								
	3 PLACES ±	MISOGAYA	2016/12/14								
2 PLACES ±	CHK'D BY	DATE	0.4 B-TO-B CONN.HGT=0.7 W=2.6 PLUG ASSY								
1 PLACE ±	KTAKAHASHI	2017/01/19	PRODUCT CUSTOMER DRAWING								
0 PLACES ±	APPR BY	DATE	SERIES			MATERIAL NUMBER			CUSTOMER		
DRAFT WHERE APPLICABLE MUST REMAIN WITHIN DIMENSIONS	MSASAO	2017/01/19	503308	SEE TABLE			GENERAL				
	DRAWING SIZE	THIRD ANGLE PROJECTION	DOCUMENT NUMBER			DOC TYPE	DOC PART	SHEET NUMBER			
	A3		5033081002			PSD	000	2 OF 2			