

RAD-ISM-2400-ANT-OMNI-9-0 - Antenna



2867623

<https://www.phoenixcontact.com/us/products/2867623>

Please be informed that the data shown in this PDF document is generated from our online catalog. Please find the complete data in the user documentation. Our general terms of use for downloads are valid.



Omnidirectional antenna, 2.4 GHz, gain: 9 dBi, polarization: linear, opening angle: h/v 360°/15°, degree of protection: IP65, connection: N (female), incl. mounting bracket and mast clips

Your advantages

- For medium distances
- For freely mobile applications
- For multipoint or mesh connections

Commercial data

Item number	2867623
Packing unit	1 pc
Minimum order quantity	1 pc
Sales key	DN23
Product key	DNN2Z1
Catalog page	Page 524 (IF-2007)
GTIN	4017918939007
Weight per piece (including packing)	850 g
Weight per piece (excluding packing)	853 g
Customs tariff number	85177100
Country of origin	PL

Technical data

Product properties

Product type	Antenna
Gain	9 dBi
Vertical beamwidth	15 °
Horizontal beamwidth	360 °
Polarization	Linear vertical

Electrical properties

Frequency band	2.4 GHz
Frequency range	2.4 GHz ... 2.5 GHz
Impedance	50 Ω

Connection data

Connection technology

Connection method	N (female)
Outside diameter	28 mm ... 47 mm (Mast)

Dimensions

Width	25 mm
Height	625 mm

External dimensions

Outside diameter	28 mm ... 47 mm (Mast)
------------------	------------------------

Material specifications

Material	Fiberglass-reinforced plastic
	Aluminum
	V2A

Cable/line

Connecting cable	No
------------------	----

Environmental and real-life conditions

Ambient conditions

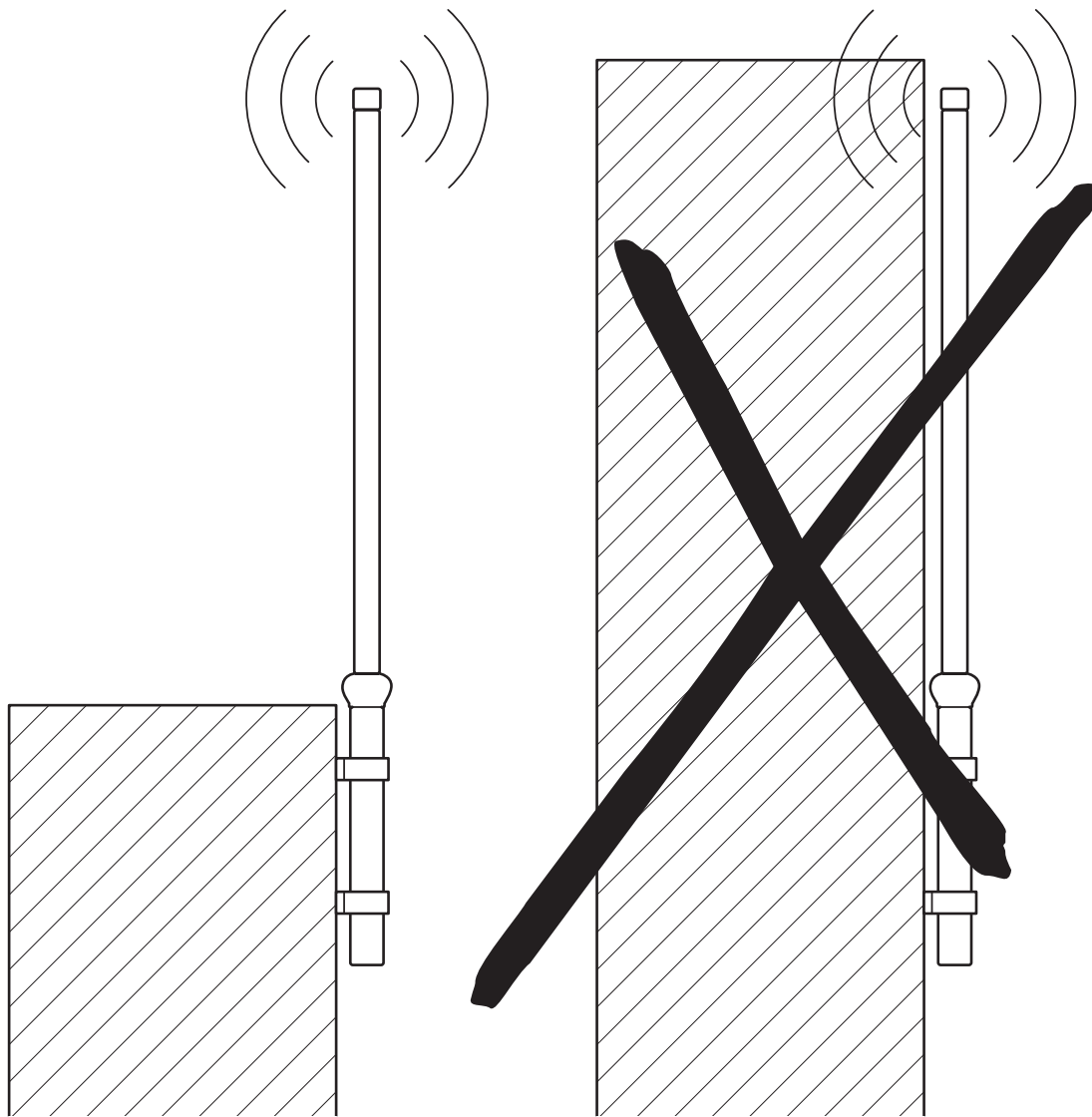
Degree of protection	IP65
Ambient temperature (operation)	-40 °C ... 75 °C
Ambient temperature (storage/transport)	-40 °C ... 75 °C

Mounting

Mounting type	Wall mounting
	Mast mounting
Connection method	N (female)

Drawings

Schematic diagram



Mounting

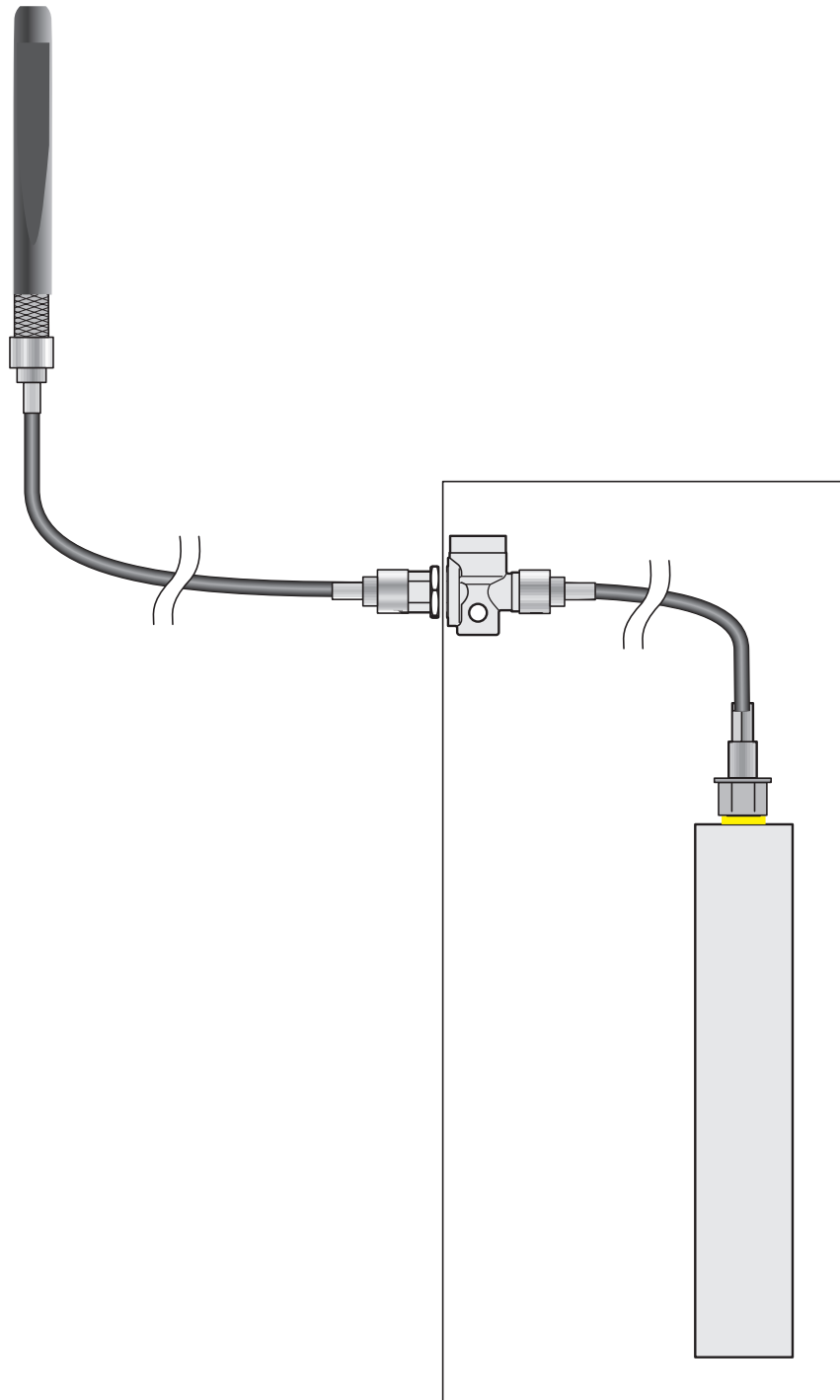
RAD-ISM-2400-ANT-OMNI-9-0 - Antenna



2867623

<https://www.phoenixcontact.com/us/products/2867623>

Schematic diagram



Installation example

RAD-ISM-2400-ANT-OMNI-9-0 - Antenna



2867623

<https://www.phoenixcontact.com/us/products/2867623>

Classifications

ECLASS

ECLASS-11.0	19070105
ECLASS-12.0	19070105
ECLASS-13.0	19070105

ETIM

ETIM 9.0	EC001698
----------	----------

UNSPSC

UNSPSC 21.0	43223100
-------------	----------

RAD-ISM-2400-ANT-OMNI-9-0 - Antenna



2867623

<https://www.phoenixcontact.com/us/products/2867623>

Environmental product compliance

REACH SVHC	Lead 7439-92-1
China RoHS	Environmentally Friendly Use Period = 25; For information on hazardous substances, refer to the manufacturer's declaration available under "Downloads"

Phoenix Contact 2024 © - all rights reserved
<https://www.phoenixcontact.com>

Phoenix Contact USA
586 Fulling Mill Road
Middletown, PA 17057, United States
(+717) 944-1300
info@phoenixcon.com