

# ST-REL4-KG230/21-21 - Relay connectors



2822419

<https://www.phoenixcontact.com/us/products/2822419>

Please be informed that the data shown in this PDF document is generated from our online catalog. Please find the complete data in the user documentation. Our general terms of use for downloads are valid.



Relay connector, equipped with miniature switching relay, contacts (AgNi): medium to large loads, 2 changeover contacts, input voltage 230 V AC/DC, with LED display, pluggable into basic terminal blocks

## Commercial data

Item number	2822419
Packing unit	10 pc
Minimum order quantity	10 pc
Sales key	C460
Product key	CK6125
Catalog page	Page 89 (IF-2005)
GTIN	4017918077273
Weight per piece (including packing)	46.86 g
Weight per piece (excluding packing)	46.86 g
Customs tariff number	85364900
Country of origin	DE

# ST-REL4-KG230/21-21 - Relay connectors



2822419

<https://www.phoenixcontact.com/us/products/2822419>

## Technical data

### Product properties

Product type	Relay Module
Operating mode	100% operating factor
Mechanical service life	approx. $2 \times 10^7$ cycles

### Electrical properties

Maximum power dissipation for nominal condition	0.92 W
Test voltage (Winding/contact)	2.5 kV AC (50 Hz, 1 min., winding/contact)
Test voltage (Changeover contact/changeover contact)	1 kV AC (50 Hz, 1 min., changeover contact/changeover contact)

### Input data

#### Coil side

Nominal input voltage $U_N$	230 V AC/DC
Input voltage range	207 V AC/DC ... 253 V AC/DC (20 °C)
Drive and function	monostable
Drive (polarity)	polarized
Typical input current at $U_N$	4 mA
Typical response time	6 ms (with DC)
Typical release time	7 ms (with DC)
Protective circuit	Bridge rectifier, varistor
Operating voltage display	yes

### Output data

#### Switching

Contact switching type	2 changeover contacts
Type of switch contact	Single contact
Contact material	AgNi
Maximum switching voltage	250 V AC/DC
Limiting continuous current	3 A
Maximum inrush current	5 A
Interrupting rating (ohmic load) max.	70 W (at 24 V DC) 85 W (at 48 V DC) 60 W (at 60 V DC) 40 W (at 110 V DC) 60 W (at 220 V DC) 750 VA (for 250 V AC)

### Dimensions

Width	27 mm
Height	33 mm
Depth	66.5 mm

# ST-REL4-KG230/21-21 - Relay connectors



2822419

<https://www.phoenixcontact.com/us/products/2822419>

## Material specifications

Color	green (RAL 6021)
-------	------------------

## Environmental and real-life conditions

### Ambient conditions

Ambient temperature (operation)	-20 °C ... 50 °C
Ambient temperature (storage/transport)	-20 °C ... 70 °C

## Standards and regulations

Standards/regulations	DIN VDE 0110b, Gr. C for 250 V DC
	IEC 60255/DIN VDE 0435 (in relevant parts)
	DIN EN 50178/VDE 0160 (in relevant parts)
	EN 60730/DIN VDE 0631
	DIN VDE 0160 (in relevant parts)

## Mounting

Mounting type	Plug-in mounting
---------------	------------------

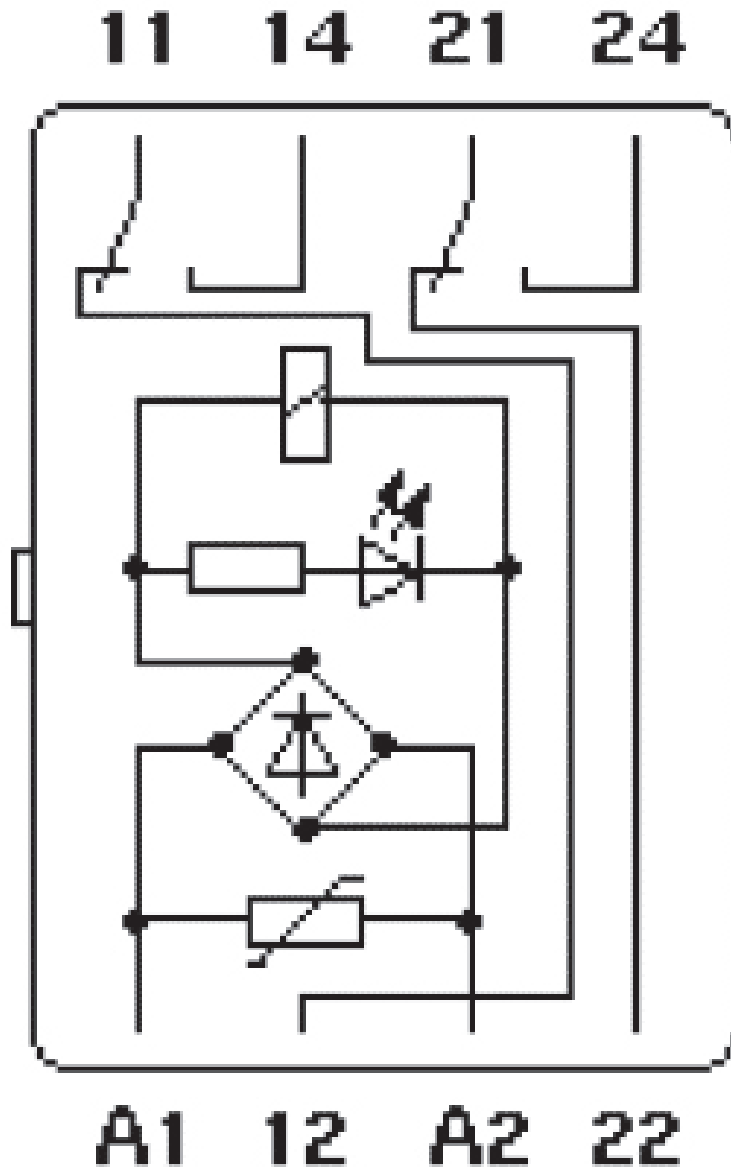
# ST-REL4-KG230/21-21 - Relay connectors

2822419

<https://www.phoenixcontact.com/us/products/2822419>

## Drawings

Circuit diagram



# ST-REL4-KG230/21-21 - Relay connectors



2822419

<https://www.phoenixcontact.com/us/products/2822419>

## Approvals

To download certificates, visit the product detail page: <https://www.phoenixcontact.com/us/products/2822419>



**EAC**

Approval ID: TR\_TS\_D\_00573\_c



**EAC**

Approval ID: RU\*C-DE.\*08.B.00010

# ST-REL4-KG230/21-21 - Relay connectors



2822419

<https://www.phoenixcontact.com/us/products/2822419>

## Classifications

### ECLASS

ECLASS-11.0	27371601
ECLASS-12.0	27371601
ECLASS-13.0	27371601

### ETIM

ETIM 8.0	EC001437
----------	----------

### UNSPSC

UNSPSC 21.0	39122300
-------------	----------

# ST-REL4-KG230/21-21 - Relay connectors



2822419

<https://www.phoenixcontact.com/us/products/2822419>

## Environmental product compliance

REACH SVHC	Lead 7439-92-1
	Hexahydromethylphthalic anhydride
China RoHS	Environmentally Friendly Use Period = 50 years
	For information on hazardous substances, refer to the manufacturer's declaration available under "Downloads"

# ST-REL4-KG230/21-21 - Relay connectors

2822419

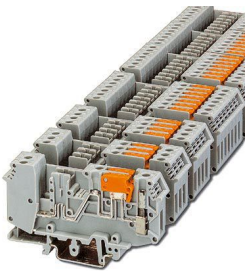
<https://www.phoenixcontact.com/us/products/2822419>

## Accessories

### URELG 4-PMTK - Basic terminal block

2820712

<https://www.phoenixcontact.com/us/products/2820712>



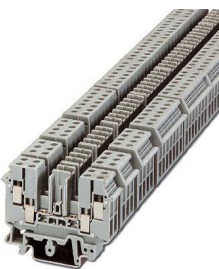
Basic terminal blocks with test pick-off on both sides and knife disconnection for NS 32 and NS 35/7,5 DIN rail, with end cover, for ST-REL..., ST-OV..., and ST-OE... plugs, 4-pos.

---

### UDK-RELG 4 - Basic terminal block

2777056

<https://www.phoenixcontact.com/us/products/2777056>



Basic terminal blocks with test pick-off on both sides and double connections with the same potential for NS 32 and NS 35/7,5 DIN rail, with end cover, for ST-REL..., ST-OV..., and ST-OE... plugs, 4-pos.



# ST-REL4-KG230/21-21 - Relay connectors



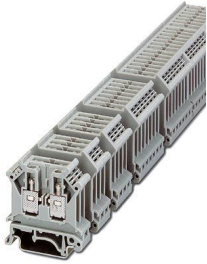
2822419

<https://www.phoenixcontact.com/us/products/2822419>

## URELG 4 - Basic terminal block

2820149

<https://www.phoenixcontact.com/us/products/2820149>



Basic termination blocks with screw connection for NS 32 and NS 35/7.5 DIN rail, with end cover, for ST-REL..., ST-OV... and ST-OE... plugs, 4-pos.

---

Phoenix Contact 2024 © - all rights reserved

<https://www.phoenixcontact.com>

Phoenix Contact USA  
586 Fulling Mill Road  
Middletown, PA 17057, United States  
(+717) 944-1300  
[info@phoenixcon.com](mailto:info@phoenixcon.com)