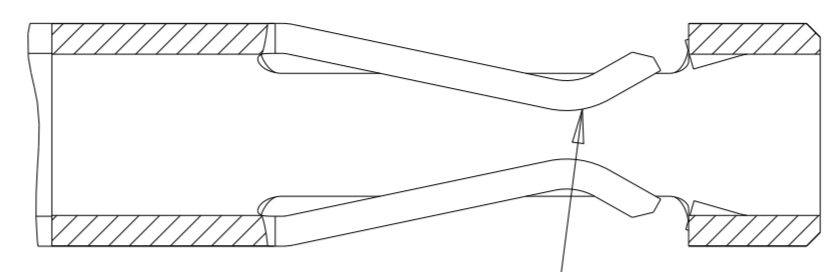
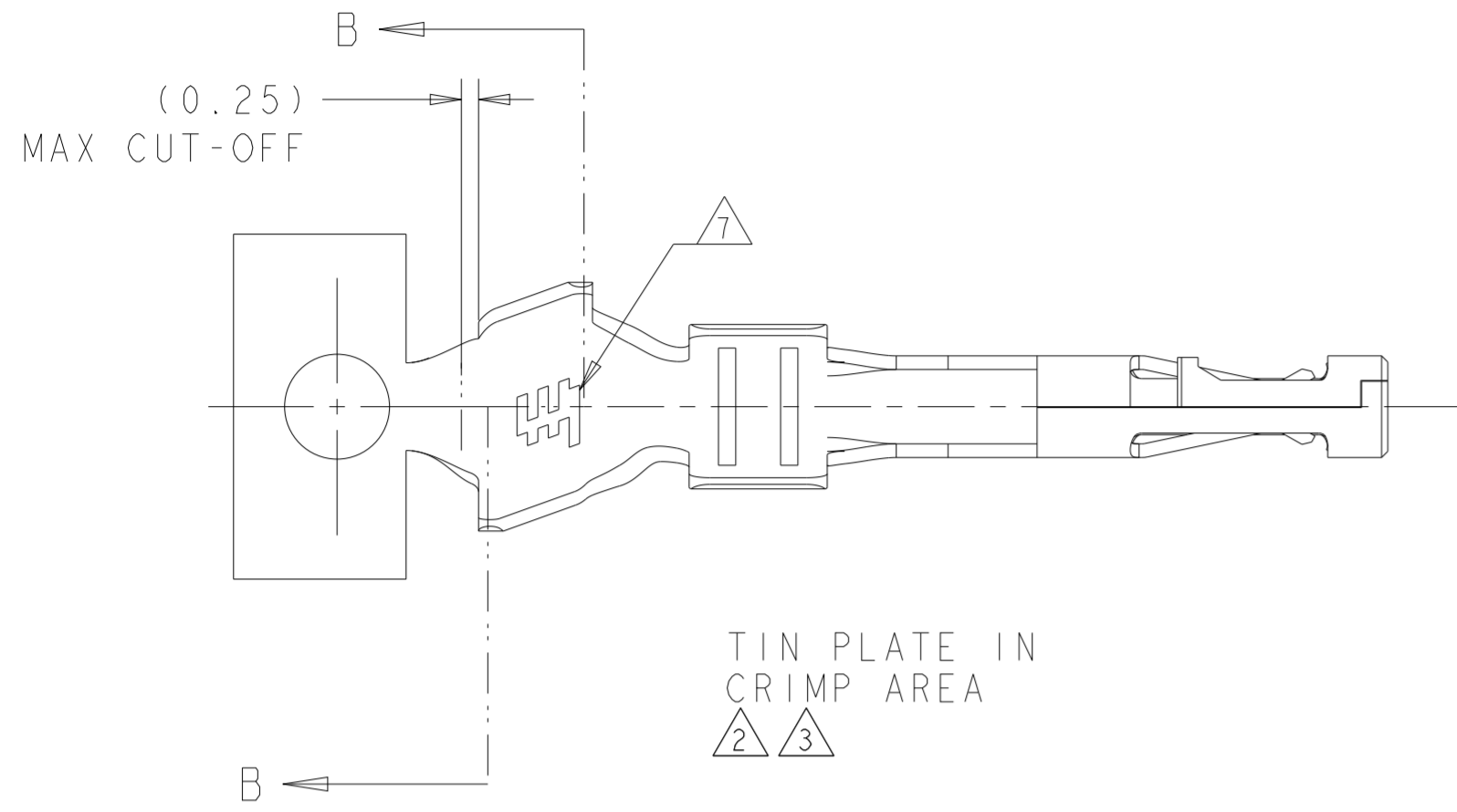


THIS DRAWING IS UNPUBLISHED. RELEASED FOR PUBLICATION 20  
 © COPYRIGHT 20 BY TYCO ELECTRONICS CORPORATION. ALL RIGHTS RESERVED.

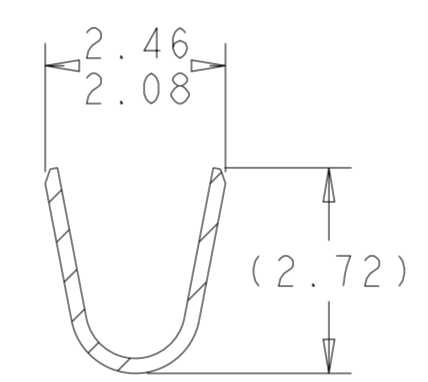
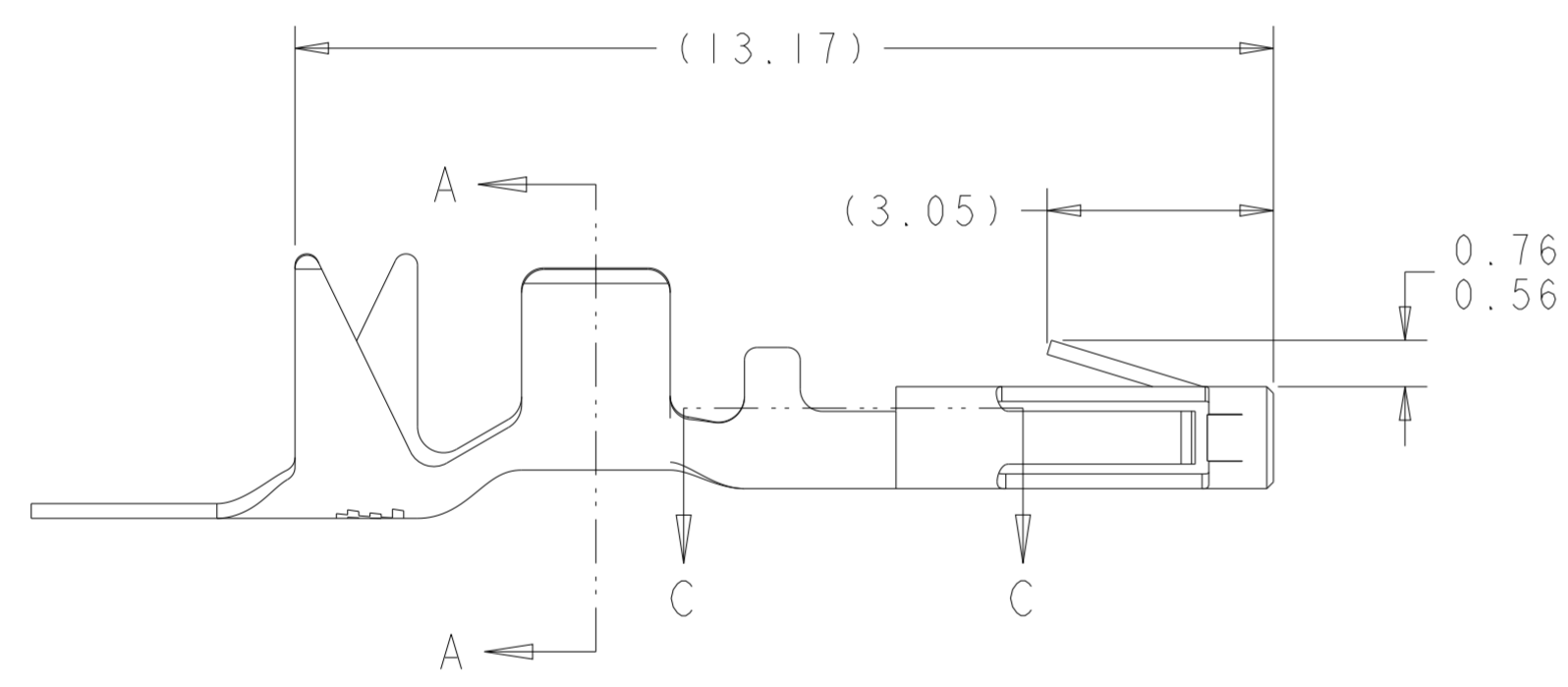
LOC	DIST	REVISIONS					
CM	0	P	LTR	DESCRIPTION	DATE	DWN	APVD
		A		REVISED PER ECO-09-012256	22MAY2009	HMR	SM
		A1		ECO-19-006909	03MAY2019	AP	WS
		A2		REVISED PER ECR-21-114419	28SEP2021	WLS	VS
		A3		REVISED PER ECN-22-174913	16SEP2022	WLS	VS



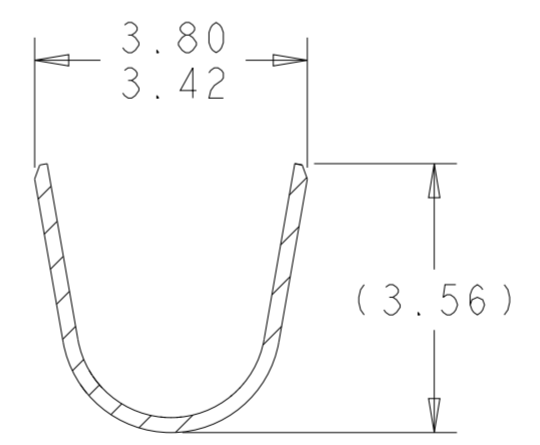
SECTION C-C  
SCALE 20:1

△2 △3  
GOLD STRIPE TO BE ON THIS SIDE OF MATERIAL IN CONTACT AREA

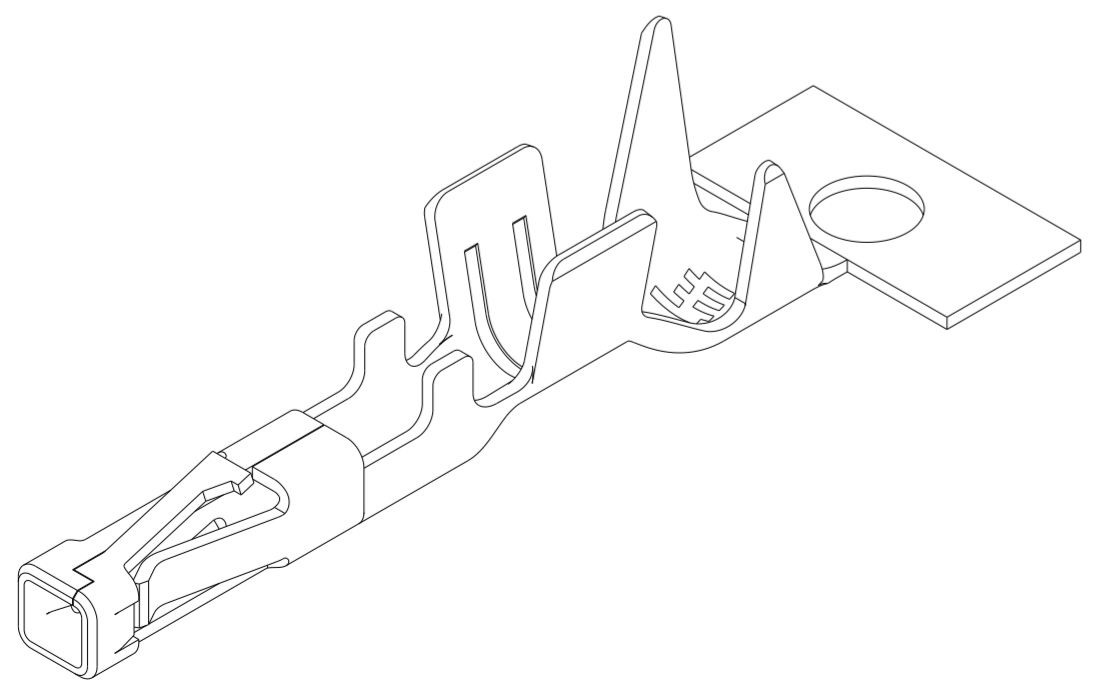
- △1 PHOSPHOR BRONZE, 0.2 THK REF.
- △2 0.381 μm MIN THK GOLD STRIPE IN CONTACT AREA, 1.27 μm MIN BRIGHT TIN PLATE IN CRIMP AREA, 1.27 μm MIN NICKEL PLATE ALL OVER.
- △3 0.762 μm MIN THK GOLD STRIPE IN CONTACT AREA, 1.27 μm MIN BRIGHT TIN PLATE IN CRIMP AREA, 1.27 μm MIN NICKEL PLATE ALL OVER.
- 4. WIRE RANGE : 22 - 18 AWG
- 5. INSULATION RANGE : Ø1.50 - 2.79
- △6 0.8 μm MIN THK BRIGHT TIN PLATE, LUBRICATED.
- △7 TYCO ELECTRONICS LOGO LOCATED APPROXIMATELY AS SHOWN.
- 8 THIS TERMINAL IS RECOMMENDED TO BE USED IN THE 18AWG WAYS OF THE CONNECTORS PNS 2008570 AND 2008571 VERSIONS.



SECTION A-A



SECTION B-B



△3	2008625-3
△2	2008625-2
△6	2008625-1
FINISH	PART NUMBER



THIS DRAWING IS A CONTROLLED DOCUMENT FOR TYCO ELECTRONICS CORPORATION. IT IS SUBJECT TO CHANGE AND THE CONTROLLING ENGINEERING ORGANIZATION SHOULD BE CONTACTED FOR THE LATEST REVISION.		DWN R BROWN 03APR2008	Tyco Electronics Harrisburg, PA 17105-3608	
DIMENSIONS: mm		CHK M McCARTHY 03APR2008	NAME CONTACT, RECEPTACLE, CRIMP SNAP-IN MICRO MATE-N-LOK(TM) 22-18 AWG	
TOLERANCES UNLESS OTHERWISE SPECIFIED: 0 PLC ± 1 PLC ± 2 PLC ±0.13 3 PLC ± 4 PLC ± ANGLES ±°		APVD C JONES 28MAY2008	PRODUCT SPEC 108-1836	
MATERIAL △1 -		APPLICATION SPEC 114-13000	SIZE A2	CAGE CODE 00779
SEE NOTES		WEIGHT -	DRAWING NO C-2008625	RESTRICTED TO -
CUSTOMER DRAWING		SCALE 10:1	SHEET 1	OF 1
			REV A3	