

ELR H5-IES-SC/500AC-06-IFS - Hybrid motor starter



2905151

<https://www.phoenixcontact.com/us/products/2905151>

Please be informed that the data shown in this PDF document is generated from our online catalog. Please find the complete data in the user documentation. Our general terms of use for downloads are valid.



Networkable hybrid motor starter for reversing 3~ AC motors up to 500 V AC, and 0.6 A output current, with adjustable overload shutdown, emergency stop function to SIL 3/PL e and screw connection, DIN rail connector provided.

Your advantages

- 22.5 mm wide
- Safety level in accordance with IEC 61508-1: SIL 3, ISO 13849: PL e
- Reduction in wiring
- Space saving
- Long service life
- 3-phase loop bridges
- Adjustable current for bimetal function
- Low-wear switching

Commercial data

Item number	2905151
Packing unit	1 pc
Minimum order quantity	1 pc
Sales key	C478
Product key	CK7432
Catalog page	Page 24 (C-5-2019)
GTIN	4046356920322
Weight per piece (including packing)	315 g
Weight per piece (excluding packing)	282.7 g
Customs tariff number	85371098
Country of origin	DE

Technical data

Product properties

Product type	Hybrid motor starters
Product family	CONTACTRON
Operating mode	100% operating factor

Electrical properties

Number of phases	3
Motor starter type	Reversing starter
Maximum power dissipation for nominal condition	0.5 W
Switching frequency	≤ 2 Hz (Load-dependent)
Maximum power dissipation	2.5 W
Minimum power dissipation	0.88 W
Coordination type	1

Supply

Rated control circuit supply voltage U_S	24 V DC
Control supply voltage range	19.2 V DC ... 30 V DC
Rated control supply current I_S	60 mA
Protective circuit	Surge protection
	Reverse polarity protection; Parallel polarity protection diode

Insulation characteristics

Rated insulation voltage	550 V
Rated surge voltage	6 kV
Overvoltage category	III
Degree of pollution	2
Insulation characteristics between the control input and control supply voltage, and auxiliary circuit to the main circuit	Safe isolation (IEC 60947-1)
Isolation characteristics between the control input and control supply voltage to auxiliary circuit	Safe isolation (IEC 60947-1) in the auxiliary circuit ≤ 300 V AC

Emergency tripping

Operate threshold	> 10 A
Response time	< 0.5 s

Input data

Control

Input name	Enable input
Note	The enable input is compatible with signals with blanking (semiconductor output signals with test pulse with max. 3 ms duration), unblanking pulses of max. 4 ms are tolerated without adversely affecting the safety function.
Rated actuating voltage U_C	24 V DC

ELR H5-IES-SC/500AC-06-IFS - Hybrid motor starter



2905151

<https://www.phoenixcontact.com/us/products/2905151>

Triggering voltage range	19.2 V DC ... 30 V DC
Rated actuating current I_C	7 mA
Switching threshold	9.6 V ("0" signal)
	19.2 V ("1" signal)
Switching level	< 5 V DC (For EMERGENCY STOP)
Typical turn-off time	< 30 ms
Protective circuit	Reverse polarity protection

Output data

AC output

Rated operating voltage U_e	500 V AC
Operating voltage range	42 V AC ... 550 V AC
Rated operating current I_e	0.6 A (AC-51)
	0.6 A (AC-53a)
Mains frequency	50/60 Hz
Load current range	75 mA ... 600 mA (see to derating)
Trigger characteristic in acc. with IEC 60947-4-2	Class 10
Cooling time	20 min. (for auto reset)
Leakage current	0 mA
Protective circuit	Surge protection; Varistor

Connection data

Control circuits

Connection method	Screw connection
Stripping length	8 mm
Screw thread	M3
Conductor cross section rigid	0.2 mm ² ... 2.5 mm ²
Conductor cross section flexible	0.2 mm ² ... 2.5 mm ²
Conductor cross section AWG	24 ... 14
Tightening torque	0.5 Nm ... 0.6 Nm
	5 lb _F -in. ... 7 lb _F -in.

Load circuit

Connection method	Screw connection
Stripping length	8 mm
Screw thread	M3
Conductor cross section rigid	0.2 mm ² ... 2.5 mm ²
Conductor cross section flexible	0.2 mm ² ... 2.5 mm ²
Conductor cross section AWG	24 ... 14
Tightening torque	0.5 Nm ... 0.6 Nm
	5 lb _F -in. ... 7 lb _F -in.

Signaling

Status display	Yellow LED
----------------	------------

ELR H5-IES-SC/500AC-06-IFS - Hybrid motor starter



2905151

<https://www.phoenixcontact.com/us/products/2905151>

Operating voltage display	Green LED
Error indication	Red LED

Dimensions

Width	22.5 mm
Height	107 mm
Depth	114 mm

Material specifications

Flammability rating according to UL 94	V0 (Housing)
--	--------------

Environmental and real-life conditions

Ambient conditions

Degree of protection	IP20
Ambient temperature (operation)	-5 °C ... 60 °C (observe derating)
Ambient temperature (storage/transport)	-40 °C ... 80 °C
Altitude	≤ 2000 m

Approvals

UKCA

Certificate	UKCA-compliant
-------------	----------------

ATEX

Identification	⊕ II (2) G [Ex eb] [Ex db] [Ex pxb] ⊕ II (2) D [Ex tb] [Ex pb]
Certificate	PTB 15 ATEX 3000

UL approval

Certificate	NLDX.E228652 NRNT.E172140
-------------	------------------------------

Safety Integrity Level (SIL, IEC 61508)

Identification	≤ 3
Note	Safe shutdown

Safety Integrity Level (SIL, IEC 61508)

Identification	2
Note	Motor protection

Performance Level (ISO 13849)

Identification	e
Note	Safe shutdown

Category (ISO 13849)

Identification	≤ 3
Note	Safe shutdown

ELR H5-IES-SC/500AC-06-IFS - Hybrid motor starter



2905151

<https://www.phoenixcontact.com/us/products/2905151>

UL data

SCCR	100 kA (480 V AC (fuse: 30 A class CC/30 A class J (high fault)))
	5 kA (480 V AC (fuse: 20 A RK5 (standard fault)))
FLA	0.6 A (480 V AC)
Group installation	20 A (class RK5, SCCR 5kA (480 V AC), #24 - 14 AWG max. solid and stranded)
	30 A (class CC or J, SCCR 100kA (480 V AC), #24 - 14 AWG max, solid and stranded)
Category code	NLDX / NRNT

Standards and regulations

Standards/regulations

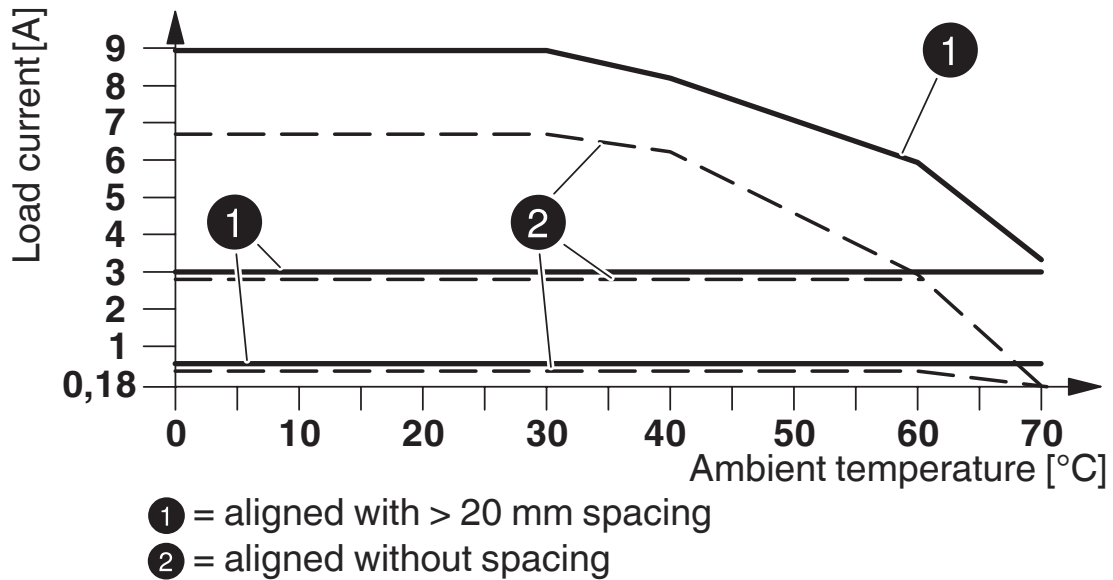
Standards/regulations	IEC 60947-1
	EN 60947-4-2
	IEC 61508
	ISO 13849

Mounting

Mounting type	DIN rail mounting
Assembly instructions	alignable, for spacing see derating
Mounting position	vertical (horizontal DIN rail, motor output below)

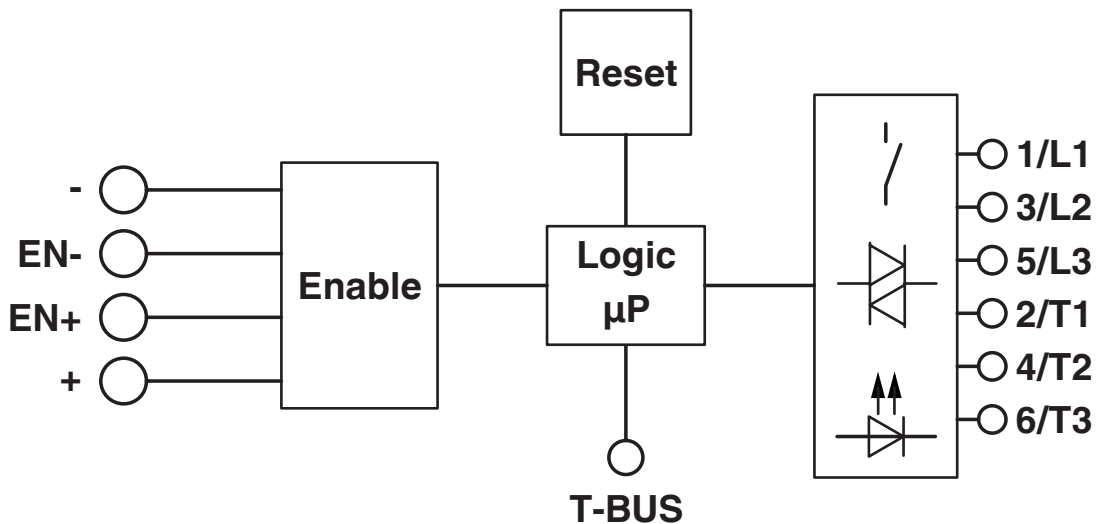
Drawings

Diagram



Derating diagram

Block diagram



2905151

<https://www.phoenixcontact.com/us/products/2905151>

Approvals

To download certificates, visit the product detail page: <https://www.phoenixcontact.com/us/products/2905151>



IECEE CB Scheme
Approval ID: DE1-60807



EAC
Approval ID: RU*C-DE.*08.B.00520*



UL Listed
Approval ID: FILE E 172140



CCC
Approval ID: 2016010304900298



cUL Listed
Approval ID: FILE E 172140



cUL Listed
Approval ID: FILE E 228652



UL Listed
Approval ID: FILE E 228652



ATEX
Approval ID: PTB 15 ATEX 3000

2905151

<https://www.phoenixcontact.com/us/products/2905151>

Classifications

ECLASS

ECLASS-11.0	27370905
ECLASS-12.0	27370905
ECLASS-13.0	27370905

ETIM

ETIM 9.0	EC001037
----------	----------

UNSPSC

UNSPSC 21.0	25173900
-------------	----------

ELR H5-IES-SC/500AC-06-IFS - Hybrid motor starter



2905151

<https://www.phoenixcontact.com/us/products/2905151>

Environmental product compliance

REACH SVHC	Lead 7439-92-1
China RoHS	Environmentally Friendly Use Period = 50 years
	For information on hazardous substances, refer to the manufacturer's declaration available under "Downloads"

2905151

<https://www.phoenixcontact.com/us/products/2905151>

Accessories

BRIDGE- 2 - Bridge

2900746

<https://www.phoenixcontact.com/us/products/2900746>

3-phase loop bridge for CONTACTRON modules, with screw connection and 22.5 mm housing width, connecting cable: 0.3 m, with ferrules.



BRIDGE- 3 - Bridge

2900747

<https://www.phoenixcontact.com/us/products/2900747>

3-phase loop bridge for 3 CONTACTRON modules, with screw connection and 22.5 mm housing width, connecting cable: 0.3 m, with ferrules.



ELR H5-IES-SC/500AC-06-IFS - Hybrid motor starter



2905151

<https://www.phoenixcontact.com/us/products/2905151>

BRIDGE- 4 - Bridge

2900748

<https://www.phoenixcontact.com/us/products/2900748>

3-phase loop bridge for 4 CONTACTRON modules, with screw connection and 22.5 mm housing width, connecting cable: 0.3 m, with ferrules.



BRIDGE- 5 - Bridge

2900749

<https://www.phoenixcontact.com/us/products/2900749>

3-phase loop bridge for 5 CONTACTRON modules, with screw connection and 22.5 mm housing width, connecting cable: 0.3 m, with ferrules.



ELR H5-IES-SC/500AC-06-IFS - Hybrid motor starter



2905151

<https://www.phoenixcontact.com/us/products/2905151>

BRIDGE- 6 - Bridge

2900750

<https://www.phoenixcontact.com/us/products/2900750>

3-phase loop bridge for 6 CONTACTRON modules, with screw connection and 22.5 mm housing width, connecting cable: 0.3 m, with ferrules.



BRIDGE- 7 - Bridge

2900751

<https://www.phoenixcontact.com/us/products/2900751>

3-phase loop bridge for 7 CONTACTRON modules, with screw connection and 22.5 mm housing width, connecting cable: 0.3 m, with ferrules.



ELR H5-IES-SC/500AC-06-IFS - Hybrid motor starter



2905151

<https://www.phoenixcontact.com/us/products/2905151>

BRIDGE- 8 - Bridge

2900752

<https://www.phoenixcontact.com/us/products/2900752>

3-phase loop bridge for 8 CONTACTRON modules, with screw connection and 22.5 mm housing width, connecting cable: 0.3 m, with ferrules.



BRIDGE- 9 - Bridge

2900753

<https://www.phoenixcontact.com/us/products/2900753>

3-phase loop bridge for 9 CONTACTRON modules, with screw connection and 22.5 mm housing width, connecting cable: 0.3 m, with ferrules.



ELR H5-IES-SC/500AC-06-IFS - Hybrid motor starter



2905151

<https://www.phoenixcontact.com/us/products/2905151>

BRIDGE-10 - Bridge

2900754

<https://www.phoenixcontact.com/us/products/2900754>

3-phase loop bridge for 10 CONTACTRON modules, with screw connection and 22.5 mm housing width, connecting cable: 0.3 m, with ferrules.



BRIDGE- 2-1M - Bridge

2901542

<https://www.phoenixcontact.com/us/products/2901542>

3-phase loop bridge for 2 CONTACTRON modules, with screw connection and 22.5 mm housing width, connecting cable: 1 m



ELR H5-IES-SC/500AC-06-IFS - Hybrid motor starter



2905151

<https://www.phoenixcontact.com/us/products/2905151>

BRIDGE- 3-1M - Bridge

2901655

<https://www.phoenixcontact.com/us/products/2901655>

3-phase loop bridge for 3 CONTACTRON modules, with screw connection and 22.5 mm housing width, connecting cable: 1 m



BRIDGE- 4-1M - Bridge

2901658

<https://www.phoenixcontact.com/us/products/2901658>

3-phase loop bridge for 4 CONTACTRON modules, with screw connection and 22.5 mm housing width, connecting cable: 1 m



ELR H5-IES-SC/500AC-06-IFS - Hybrid motor starter



2905151

<https://www.phoenixcontact.com/us/products/2905151>

BRIDGE- 5-1M - Bridge

2901544

<https://www.phoenixcontact.com/us/products/2901544>

3-phase loop bridge for 5 CONTACTRON modules, with screw connection and 22.5 mm housing width, connecting cable: 1 m



BRIDGE- 6-1M - Bridge

2901649

<https://www.phoenixcontact.com/us/products/2901649>

3-phase loop bridge for 6 CONTACTRON modules, with screw connection and 22.5 mm housing width, connecting cable: 1 m



ELR H5-IES-SC/500AC-06-IFS - Hybrid motor starter



2905151

<https://www.phoenixcontact.com/us/products/2905151>

BRIDGE- 2-3M - Bridge

2901543

<https://www.phoenixcontact.com/us/products/2901543>

3-phase loop bridge for 2 CONTACTRON modules, with screw connection and 22.5 mm housing width, connecting cable: 3 m



BRIDGE- 3-3M - Bridge

2901656

<https://www.phoenixcontact.com/us/products/2901656>

3-phase loop bridge for 3 CONTACTRON modules, with screw connection and 22.5 mm housing width, connecting cable: 3 m



ELR H5-IES-SC/500AC-06-IFS - Hybrid motor starter



2905151

<https://www.phoenixcontact.com/us/products/2905151>

BRIDGE- 4-3M - Bridge

2901659

<https://www.phoenixcontact.com/us/products/2901659>

3-phase loop bridge for 4 CONTACTRON modules, with screw connection and 22.5 mm housing width, connecting cable: 3 m



BRIDGE- 5-3M - Bridge

2901545

<https://www.phoenixcontact.com/us/products/2901545>

3-phase loop bridge for 5 CONTACTRON modules, with screw connection and 22.5 mm housing width, connecting cable: 3 m



ELR H5-IES-SC/500AC-06-IFS - Hybrid motor starter



2905151

<https://www.phoenixcontact.com/us/products/2905151>

BRIDGE- 6-3M - Bridge

2901697

<https://www.phoenixcontact.com/us/products/2901697>

3-phase loop bridge for 6 CONTACTRON modules, with screw connection and 22.5 mm housing width, connecting cable: 3 m



BRIDGE- 7-3M - Bridge

2901698

<https://www.phoenixcontact.com/us/products/2901698>

3-phase loop bridge for 7 CONTACTRON modules, with screw connection and 22.5 mm housing width, connecting cable: 3 m



ELR H5-IES-SC/500AC-06-IFS - Hybrid motor starter



2905151

<https://www.phoenixcontact.com/us/products/2905151>

BRIDGE- 8-3M - Bridge

2901700

<https://www.phoenixcontact.com/us/products/2901700>

3-phase loop bridge for 8 CONTACTRON modules, with screw connection and 22.5 mm housing width, connecting cable: 3 m



BRIDGE- 9-3M - Bridge

2901701

<https://www.phoenixcontact.com/us/products/2901701>

3-phase loop bridge for 9 CONTACTRON modules, with screw connection and 22.5 mm housing width, connecting cable: 3 m



ELR H5-IES-SC/500AC-06-IFS - Hybrid motor starter



2905151

<https://www.phoenixcontact.com/us/products/2905151>

BRIDGE-10-3M - Bridge

2901702

<https://www.phoenixcontact.com/us/products/2901702>

3-phase loop bridge for 10 CONTACTRON modules, with screw connection and 22.5 mm housing width, connecting cable: 3 m



BRIDGE- 2- 2M/0,3M - Bridge

2909897

<https://www.phoenixcontact.com/us/products/2909897>

3-phase loop bridge for 2 CONTACTRON modules, with screw connection and 22.5 mm housing width, cable length between the modules: 0.3 m, connecting cable: 2 m



ELR H5-IES-SC/500AC-06-IFS - Hybrid motor starter



2905151

<https://www.phoenixcontact.com/us/products/2905151>

BRIDGE- 3- 2M/0,3M - Bridge

2909898

<https://www.phoenixcontact.com/us/products/2909898>



3-phase loop bridge for 3 CONTACTRON modules, with screw connection and 22.5 mm housing width, cable length between the modules: 0.3 m, connecting cable: 2 m

BRIDGE- 4- 2M/0,3M - Bridge

2909899

<https://www.phoenixcontact.com/us/products/2909899>



3-phase loop bridge for 4 CONTACTRON modules, with screw connection and 22.5 mm housing width, cable length between the modules: 0.3 m, connecting cable: 2 m

ELR H5-IES-SC/500AC-06-IFS - Hybrid motor starter



2905151

<https://www.phoenixcontact.com/us/products/2905151>

US-EMLP (15X5) - Plastic label

0828790

<https://www.phoenixcontact.com/us/products/0828790>



Plastic label, Card, white, unlabeled, can be labeled with: BLUEMARK ID COLOR, BLUEMARK ID, THERMOMARK PRIME, THERMOMARK CARD 2.0, THERMOMARK CARD, mounting type: adhesive, lettering field size: 15 x 5 mm, Number of individual labels: 189

UC-EMLP (15X5) - Plastic label

0819301

<https://www.phoenixcontact.com/us/products/0819301>



Plastic label, Sheet, white, unlabeled, can be labeled with: BLUEMARK ID COLOR, BLUEMARK ID, BLUEMARK CLED, PLOTMARK, CMS-P1-PLOTTER, mounting type: adhesive, lettering field size: 15 x 5 mm, Number of individual labels: 10

ELR H5-IES-SC/500AC-06-IFS - Hybrid motor starter



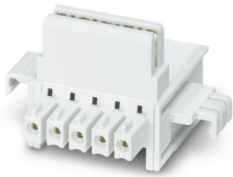
2905151

<https://www.phoenixcontact.com/us/products/2905151>

ME 22,5 TBUS 1,5/ 5-ST-3,81 GY - DIN rail bus connectors

2201937

<https://www.phoenixcontact.com/us/products/2201937>



DIN rail connector, color: gray, nominal current: 8 A (parallel contacts), rated voltage (III/2): 125 V, number of positions: 5, pitch: 3.81 mm, mounting: DIN rail mounting, locking: without, mounting: without, type of packaging: packed in cardboard, Item with gold-plated contacts, bus connectors for connecting with electronics housings, 5 parallel contacts

EM-PB-GATEWAY-IFS - Data interface

2297620

<https://www.phoenixcontact.com/us/products/2297620>



Gateway for the connection of up to 32 INTERFACE system devices to a higher-level controller via PROFIBUS DP. The INTERFACE system devices are connected to the Gateway via DIN rail connectors, the DIN rail connectors are provided.

ELR H5-IES-SC/500AC-06-IFS - Hybrid motor starter



2905151

<https://www.phoenixcontact.com/us/products/2905151>

EM-CAN-GATEWAY-IFS - Data interface

2901504

<https://www.phoenixcontact.com/us/products/2901504>



Gateway for the connection of up to 32 INTERFACE system devices to a higher-level controller via CANopen[®]. The INTERFACE system devices are connected to the Gateway via DIN rail connectors, the DIN rail connectors are provided.

EM-MODBUS-GATEWAY-IFS - Data interface

2901528

<https://www.phoenixcontact.com/us/products/2901528>



Gateway for the connection of up to 32 INTERFACE system devices via Modbus/TCP to a higher-level controller. The INTERFACE system devices are connected to the Gateway via DIN rail connectors, the DIN rail connectors are provided.

ELR H5-IES-SC/500AC-06-IFS - Hybrid motor starter



2905151

<https://www.phoenixcontact.com/us/products/2905151>

EM-PNET-GATEWAY-IFS - Data interface

2904472

<https://www.phoenixcontact.com/us/products/2904472>



Gateway for the connection of up to 32 INTERFACE system devices via PROFINET to a higher-level controller. The INTERFACE system devices are connected to the Gateway via DIN rail connectors, the DIN rail connectors are provided.

EM-ETH-GATEWAY-IFS - Data interface

2901988

<https://www.phoenixcontact.com/us/products/2901988>



Gateway for the connection of up to 32 INTERFACE system devices to a higher-level controller via EtherNet/IP™. The INTERFACE system devices are connected to the Gateway via DIN rail connectors, the DIN rail connectors are provided.

ELR H5-IES-SC/500AC-06-IFS - Hybrid motor starter



2905151

<https://www.phoenixcontact.com/us/products/2905151>

EM-D-8/4-24DC-IFS - Extension module

2904473

<https://www.phoenixcontact.com/us/products/2904473>



For more complex applications with Interface system devices (IFS), the extension module offers digital inputs and outputs for processing additional signals in the field. Easy connection to IFS gateway via the DIN rail connector as the slave.

QUINT4-SYS-PS/1AC/24DC/2.5/SC - Power supply unit

2904614

<https://www.phoenixcontact.com/us/products/2904614>



Primary-switched power supply, QUINT POWER, screw connection, DIN rail mounting, supply of devices possible via the TBUS DIN rail connector, protective coating, input: single-phase, output: 24 V DC/2.5 A

ELR H5-IES-SC/500AC-06-IFS - Hybrid motor starter



2905151

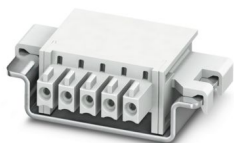
<https://www.phoenixcontact.com/us/products/2905151>

ME 22,5 TBUS ADAPTER KMGY - DIN rail bus connectors

2201756

<https://www.phoenixcontact.com/us/products/2201756>

DIN rail bus adapter for ME and ME-MAX, design width: 22.5 mm, 5 parallel positions, color: light gray (similar to RAL 7035)



Phoenix Contact 2024 © - all rights reserved

<https://www.phoenixcontact.com>

Phoenix Contact USA
586 Fulling Mill Road
Middletown, PA 17057, United States
(+717) 944-1300
info@phoenixcon.com