

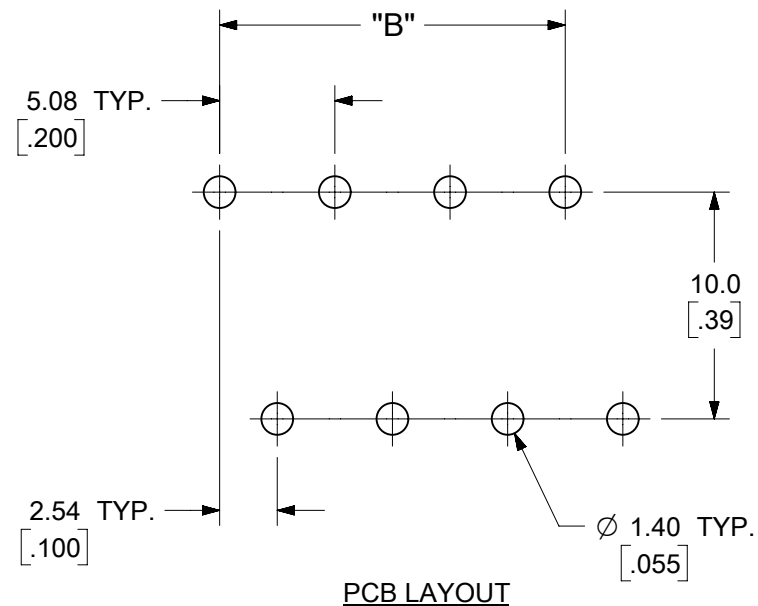
SPECIFICATIONS:

1. MATERIAL:
 - (1) BODY: PA66 (UL 94V-0).
 - (2) COVER: PBT (UL 94V-0).
 - (3) LONG TERMINAL: BRASS.
 - (4) SHORT TERMINAL: BRASS.
2. ELECTRICAL RATING: 300V, 15A.
3. DIELECTRIC WITHSTAND: AC 2500V FOR 1 MINUTE.
4. BREAKDOWN VOLTAGE: 4000V.
5. INSULATION RESISTANCE: DC 1000V, 1000 MEGOHMS.
6. OPERATING TEMPERATURE: -40°C TO +105°C.
7. NUMBER OF CIRCUIT POSITIONS AVAILABLE= 4 THROUGH 48, EVEN NUMBERED CIRCUIT SIZES ONLY.
8. ALL COMPONENTS ARE ROHS COMPLIANT.

TOLERANCES			
MM	TOL	INCH	TOL
0-6	±0.25	0-.24	±.010
>6-30	±0.40	.24-1.18	±.016
>30-120	±0.50	1.18-4.76	±.020
>120	±0.80	>4.76	±.031

THIS DRAWING CONTAINS INFORMATION THAT IS PROPRIETARY TO MOLEX ELECTRONIC TECHNOLOGIES, LLC AND SHOULD NOT BE USED WITHOUT WRITTEN PERMISSION											
SYMBOLS		DIMENSION UNITS		SCALE		CURRENT REV DESC: MIGRATION TO ECTR/NX					
▽ = 0		MM/INCH		3:1		EC NO: 634576					
▽ = 0		GENERAL TOLERANCES (UNLESS SPECIFIED)				DRWN: ABENJAMINLW		2019/08/20		molex	
▽ = 0						CHK'D: DACHAMMER		2020/03/12			
▽ = 0		4 PLACES ± --- ± ---				APPR: JFMURPHY		2020/06/10		PRODUCT CUSTOMER DRAWING	
▽ = 0		3 PLACES ± --- ± SEE CHART				INITIAL REVISION:				DOCUMENT NUMBER	
▽ = 0		2 PLACES ± SEE CHART ± SEE CHART				DRWN: CYORK		2006/07/25		SD-39538-004	
▽ = 0		1 PLACE ± SEE CHART ± ---				APPR: JPAWLICK		2006/07/26		DOC TYPE DOC PART REVISION	
▽ = 0		0 PLACES ± --- ± ---				ANGULAR TOL ± ---				PSD 001 A2	
▽ = 0		DRAFT WHERE APPLICABLE MUST REMAIN WITHIN DIMENSIONS		THIRD ANGLE PROJECTION		DRAWING		SERIES		MATERIAL NUMBER	
▽ = 0				B-SIZE		39538		SEE SHEET-2		CUSTOMER	
								GENERAL MARKET		SHEET NUMBER	
										1 OF 2	

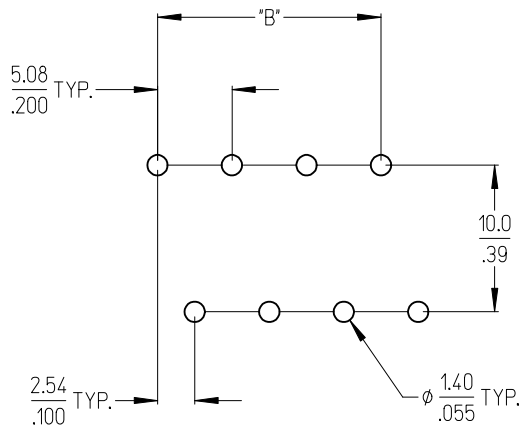
CIRCUIT SIZE	MATERIAL NUMBERS				DIMENSIONAL INFORMATION			
	BLACK		GREEN		DIM. "A"		DIM. "B"	
	100% TIN	30 u" GOLD	100% TIN	30 u" GOLD	mm	inch	mm	inch
4	395383004	395383504	395388004	395388504	12.16	.479	5.08	.200
6	395383006	395383506	395388006	395388506	17.24	.679	10.16	.400
8	395383008	395383508	395388008	395388508	22.32	.879	15.24	.600
10	395383010	395383510	395388010	395388510	27.40	1.079	20.32	.800
12	395383012	395383512	395388012	395388512	32.48	1.279	25.40	1.000
14	395383014	395383514	395388014	395388514	37.56	1.479	30.48	1.200
16	395383016	395383516	395388016	395388516	42.64	1.679	35.56	1.400
18	395383018	395383518	395388018	395388518	47.72	1.879	40.64	1.600
20	395383020	395383520	395388020	395388520	52.80	2.079	45.72	1.800
22	395383022	395383522	395388022	395388522	57.88	2.279	50.80	2.000
24	395383024	395383524	395388024	395388524	62.96	2.479	55.88	2.200
26	395383026	395383526	395388026	395388526	68.04	2.679	60.96	2.400
28	395383028	395383528	395388028	395388528	73.12	2.879	66.04	2.600
30	395383030	395383530	395388030	395388530	78.20	3.079	71.12	2.800
32	395383032	395383532	395388032	395388532	83.28	3.279	76.20	3.000
34	395383034	395383534	395388034	395388534	88.36	3.479	81.28	3.200
36	395383036	395383536	395388036	395388536	93.44	3.679	86.36	3.400
38	395383038	395383538	395388038	395388538	98.52	3.879	91.44	3.600
40	395383040	395383540	395388040	395388540	103.60	4.079	96.52	3.800
42	395383042	395383542	395388042	395388542	108.68	4.279	101.60	4.000
44	395383044	395383544	395388044	395388544	113.76	4.479	106.68	4.200
46	395383046	395383546	395388046	395388546	118.84	4.679	111.76	4.400
48	395383048	395383548	395388048	395388548	123.92	4.879	116.84	4.600



TOLERANCES			
MM	TOL	INCH	TOL
0-6	±0.25	0-.24	±.010
>6-30	±0.40	.24-1.18	±.016
>30-120	±0.50	1.18-4.76	±.020
>120	±0.80	>4.76	±.031

SYMBOLS				THIS DRAWING CONTAINS INFORMATION THAT IS PROPRIETARY TO MOLEX ELECTRONIC TECHNOLOGIES, LLC AND SHOULD NOT BE USED WITHOUT WRITTEN PERMISSION			
DIMENSION UNITS		SCALE		CURRENT REV DESC: MIGRATION TO ECTR/NX			
MM/INCH		3:1		EC NO: 634576			
GENERAL TOLERANCES (UNLESS SPECIFIED)				DRWN: ABENJAMINLW 2019/08/20			
4 PLACES ± --- ± ---		SEE CHART		CHK'D: DACHAMMER 2020/03/12			
3 PLACES ± --- ± ---		SEE CHART		APPR: JFMURPHY 2020/06/10			
2 PLACES ± --- ± ---		SEE CHART		INITIAL REVISION:			
1 PLACE ± --- ± ---		SEE CHART		DRWN: CYORK 2006/07/25			
0 PLACES ± --- ± ---		SEE CHART		APPR: JPAWLICK 2006/07/26			
ANGULAR TOL ± ---				THIRD ANGLE PROJECTION		DRAWING SERIES	
DRAFT WHERE APPLICABLE MUST REMAIN WITHIN DIMENSIONS				B-SIZE		39538	
DOCUMENT NUMBER		DOC TYPE		DOC PART		REVISION	
SD-39538-004		PSD		001		A2	
MATERIAL NUMBER		CUSTOMER		SHEET NUMBER			
SEE TABLE		GENERAL MARKET		2 OF 2			

Circuit size	Material Numbers				Dimensional Information			
	Black		Green		Dim. A		Dim D	
	100% Tin	30 u" Gold	100% Tin	30 u" Gold	mm	inch	mm	inch
4	395383004	395383504	395388004	395388504	12.16	0.479	5.08	0.200
6	395383006	395383506	395388006	395388506	17.24	0.679	10.16	0.400
8	395383008	395383508	395388008	395388508	22.32	0.879	15.24	0.600
10	395383010	395383510	395388010	395388510	27.40	1.079	20.32	0.800
12	395383012	395383512	395388012	395388512	32.48	1.279	25.40	1.000
14	395383014	395383514	395388014	395388514	37.56	1.479	30.48	1.200
16	395383016	395383516	395388016	395388516	42.64	1.679	35.56	1.400
18	395383018	395383518	395388018	395388518	47.72	1.879	40.64	1.600
20	395383020	395383520	395388020	395388520	52.80	2.079	45.72	1.800
22	395383022	395383522	395388022	395388522	57.88	2.279	50.80	2.000
24	395383024	395383524	395388024	395388524	62.96	2.479	55.88	2.200
26	395383026	395383526	395388026	395388526	68.04	2.679	60.96	2.400
28	395383028	395383528	395388028	395388528	73.12	2.879	66.04	2.600
30	395383030	395383530	395388030	395388530	78.20	3.079	71.12	2.800
32	395383032	395383532	395388032	395388532	83.28	3.279	76.20	3.000
34	395383034	395383534	395388034	395388534	88.36	3.479	81.28	3.200
36	395383036	395383536	395388036	395388536	93.44	3.679	86.36	3.400
38	395383038	395383538	395388038	395388538	98.52	3.879	91.44	3.600
40	395383040	395383540	395388040	395388540	103.60	4.079	96.52	3.800
42	395383042	395383542	395388042	395388542	108.68	4.279	101.60	4.000
44	395383044	395383544	395388044	395388544	113.76	4.479	106.68	4.200
46	395383046	395383546	395388046	395388546	118.84	4.679	111.76	4.400
48	395383048	395383548	395388048	395388548	123.92	4.879	116.84	4.600

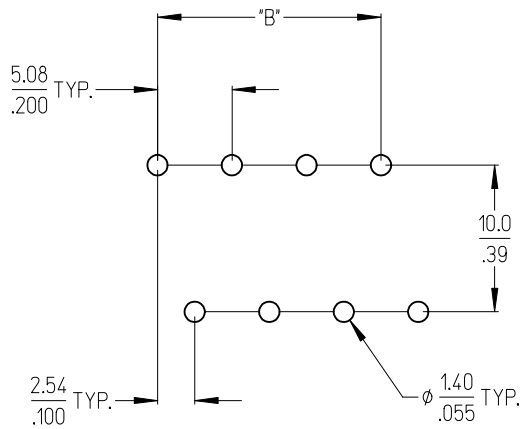


RECOMMENDED PCB LAYOUT

TOLERANCES			
MM	TOL	INCH	TOL
0-6	±0.25	0-.24	±.010
>6-30	±0.40	.24-1.18	±.016
>30-120	±0.50	1.18-4.76	±.020
>120	±0.80	>4.76	±.031

REVISED DOC TOL EC NO: IFC2017-0861 DRAWN: BENJAMIN W 2017/03/22 CHKD: APPR: BRUPERT 2017/04/18 A1	QUALITY SYMBOLS	GENERAL TOLERANCES (UNLESS SPECIFIED)	DIMENSION STYLE	SCALE	DESIGN UNITS	THIRD ANGLE PROJECTION
	▼=0 ▽=0	mm INCH 4 PLACES ± --- ± --- 3 PLACES ± --- ± --- 2 PLACES ± --- ± --- 1 PLACE ± --- ± --- ANGULAR ± ---°	MM/IN	INCH	INCH	☉ □
	DRAWN BY DATE C. YORK 2006/07/24 CHECKED BY DATE J. PAWLICKI 2006/07/24 APPROVED BY DATE J. PAWLICKI 2006/07/24	TITLE 5.08MM, EURO DUAL HEADER VERTICAL, CLOSED END, STACKABLE		MATERIAL NO. SD-39538-004		SHEET NO. 2 OF 2
	DRAFT WHERE APPLICABLE MUST REMAIN WITHIN DIMENSIONS		SEE CHART		MOLEX INCORPORATED DOCUMENT NO.	

Circuit size	Material Numbers				Dimensional Information			
	Black		Green		Dim. A		Dim D	
	100% Tin	30 u" Gold	100% Tin	30 u" Gold	mm	inch	mm	inch
4	395383004	395383504	395388004	395388504	12.16	0.479	5.08	0.200
6	395383006	395383506	395388006	395388506	17.24	0.679	10.16	0.400
8	395383008	395383508	395388008	395388508	22.32	0.879	15.24	0.600
10	395383010	395383510	395388010	395388510	27.40	1.079	20.32	0.800
12	395383012	395383512	395388012	395388512	32.48	1.279	25.40	1.000
14	395383014	395383514	395388014	395388514	37.56	1.479	30.48	1.200
16	395383016	395383516	395388016	395388516	42.64	1.679	35.56	1.400
18	395383018	395383518	395388018	395388518	47.72	1.879	40.64	1.600
20	395383020	395383520	395388020	395388520	52.80	2.079	45.72	1.800
22	395383022	395383522	395388022	395388522	57.88	2.279	50.80	2.000
24	395383024	395383524	395388024	395388524	62.96	2.479	55.88	2.200
26	395383026	395383526	395388026	395388526	68.04	2.679	60.96	2.400
28	395383028	395383528	395388028	395388528	73.12	2.879	66.04	2.600
30	395383030	395383530	395388030	395388530	78.20	3.079	71.12	2.800
32	395383032	395383532	395388032	395388532	83.28	3.279	76.20	3.000
34	395383034	395383534	395388034	395388534	88.36	3.479	81.28	3.200
36	395383036	395383536	395388036	395388536	93.44	3.679	86.36	3.400
38	395383038	395383538	395388038	395388538	98.52	3.879	91.44	3.600
40	395383040	395383540	395388040	395388540	103.60	4.079	96.52	3.800
42	395383042	395383542	395388042	395388542	108.68	4.279	101.60	4.000
44	395383044	395383544	395388044	395388544	113.76	4.479	106.68	4.200
46	395383046	395383546	395388046	395388546	118.84	4.679	111.76	4.400
48	395383048	395383548	395388048	395388548	123.92	4.879	116.84	4.600



TOLERANCES			
MM	TOL	INCH	TOL
0-6	±0.25	0-.24	±.010
>6-30	±0.40	.24-1.18	±.016
>30-120	±0.50	1.18-4.76	±.020
>120	±0.80	>4.76	±.031

REVISED DOC TOL EC NO: IFC2017-0861 DRAWN: BENJAMIN W 2017/03/22 CHKD: APPR: BRUPERT 2017/04/18 REV	QUALITY SYMBOLS ▽=0 ▽=0	GENERAL TOLERANCES (UNLESS SPECIFIED) mm INCH 4 PLACES ± --- ± --- 3 PLACES ± --- ± --- 2 PLACES ± --- ± --- 1 PLACE ± --- ± --- ANGULAR ± ---°	DIMENSION STYLE MM/IN DRAWN BY DATE C. YORK 2006/07/24 CHECKED BY DATE J. PAWLICKI 2006/07/24 APPROVED BY DATE J. PAWLICKI 2006/07/24	SCALE DESIGN UNITS INCH THIRD ANGLE PROJECTION
	DRAFT WHERE APPLICABLE MUST REMAIN WITHIN DIMENSIONS		MATERIAL NO. SEE CHART	TITLE 5.08MM, EURO DUAL HEADER VERTICAL, CLOSED END, STACKABLE MOLEX MOLEX INCORPORATED DOCUMENT NO. SD-39538-004 SHEET NO. 2 OF 2
	THIS DRAWING CONTAINS INFORMATION THAT IS PROPRIETARY TO MOLEX INCORPORATED AND SHOULD NOT BE USED WITHOUT WRITTEN PERMISSION			