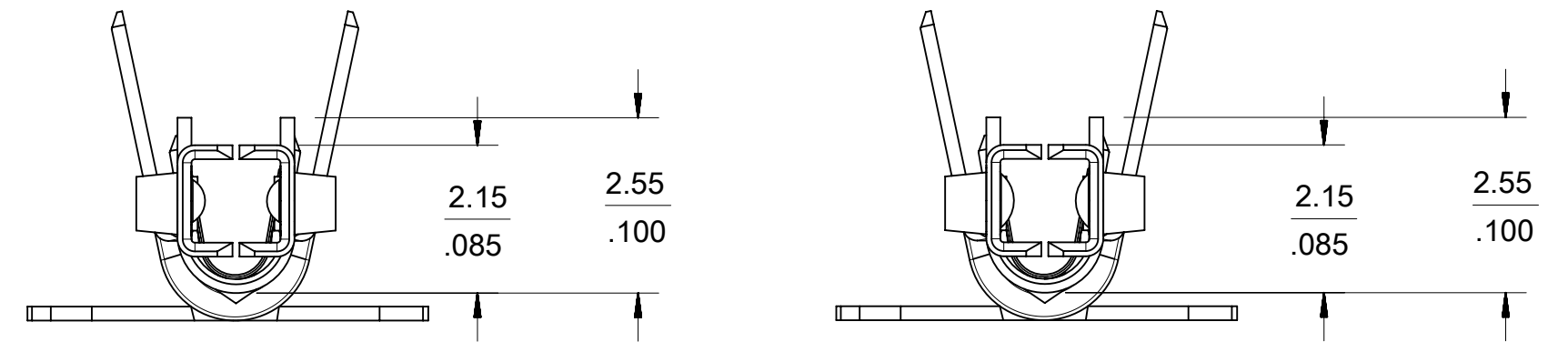
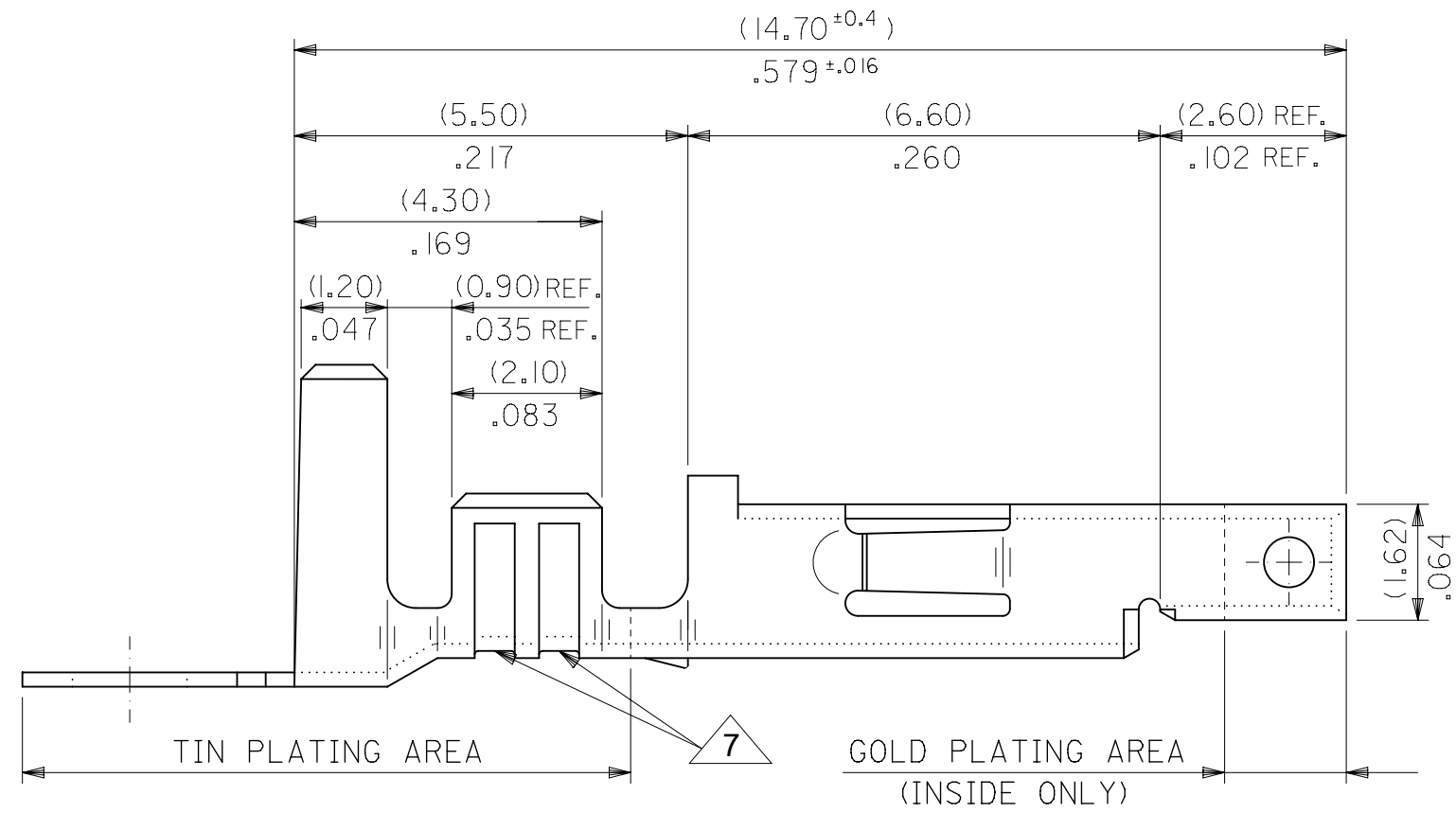
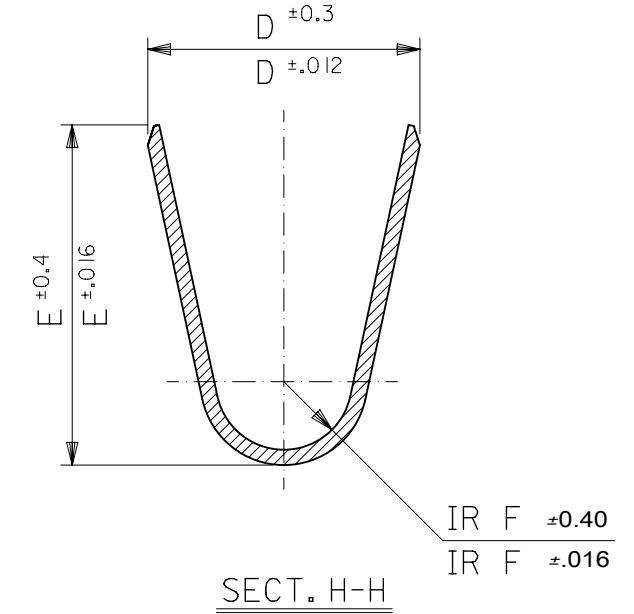
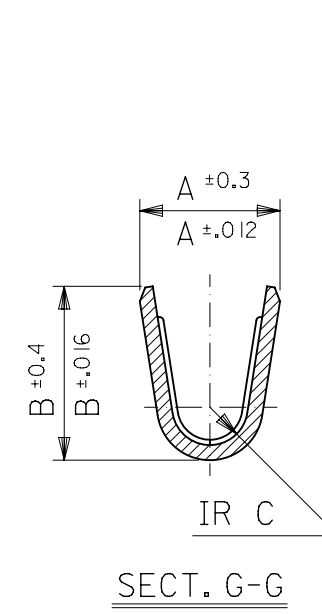
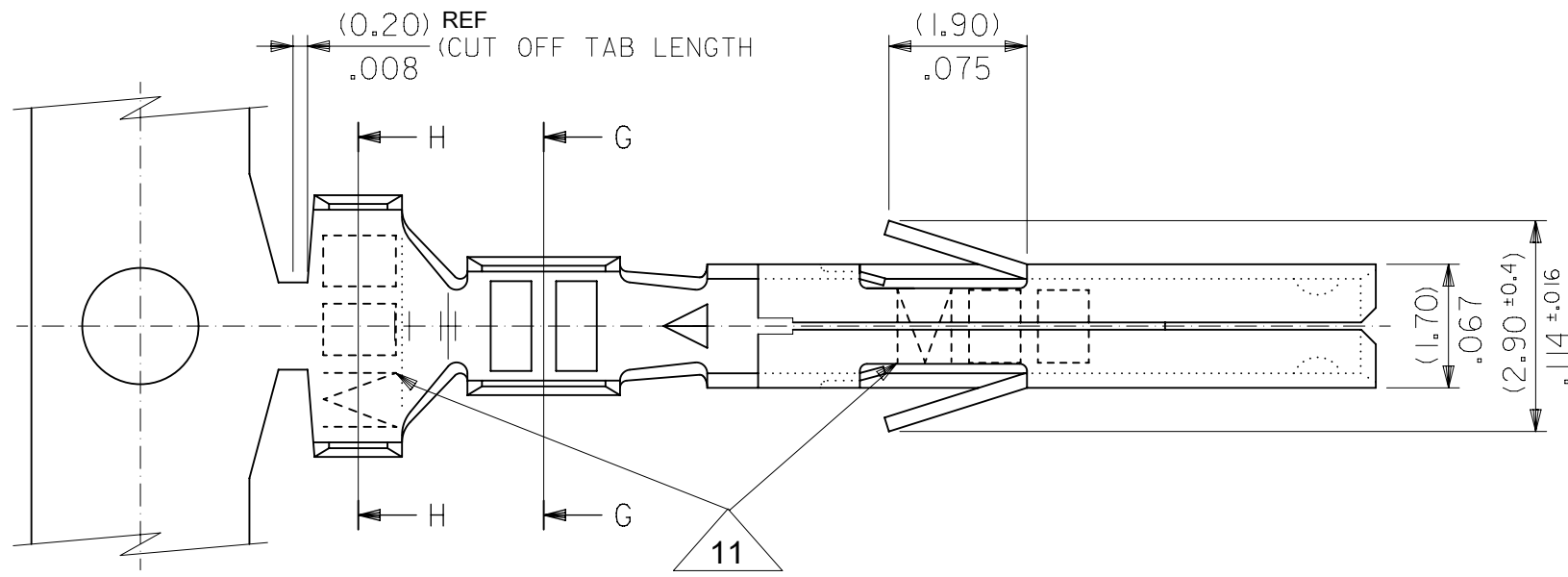


NOTES

1. MATERIAL: SEE CHART.
2. FINISH: SEE CHART.
3. PRODUCT SPECIFICATION: PS-5556-001, PS-5556-002, PS-5556-003.
4. PACKAGING SPECIFICATION: PK-5556-001 FOR CHAIN TERMINALS
PK-5556-003 FOR LOOSE TERMINALS.
5. MATES WITH: 5558, 5566, 5569, 30069, 30070, 42440, 42404, 43879, 43810, 44068.
6. APPLICABLE HOUSING: 5557, 30067, 44516, OR 42474.
7. THE NUMBER OF SERRATIONS TO BE ONE FOR WIRE RANGE #22-28.
8. WHEN TERMINALS ARE INSTALLED IN THE HOUSING THE WIRES ARE TO BE DRESSED IN SUCH A MANNER TO ALLOW THE TERMINALS TO FLOAT FREELY IN THE POCKET.
9. THIS TERMINAL IS DESIGNED FOR SINGLE WIRE CRIMPING.
10. PART CONFORMS TO CLASS "B" REQUIREMENTS OF COSMETIC SPECIFICATION PS-45499-002.
11. TEXT ON PART IS FOR REFERENCE ONLY. TEXT AND TEXT LOCATION MAY VARY DEPENDING ON PART NUMBER AND/OR TOOL.
12. TIN PLATING THICKNESS MEASURED AS APPLIED PRIOR TO OPTIONAL REFLOW. POST REFLOW PLATING THICKNESS TO BE 1.0um MIN



CONTACT DIMPLE CONFIGURATIONS

#18-24 TERMINAL SHOWN

SYMBOLS	THIS DRAWING CONTAINS INFORMATION THAT IS PROPRIETARY TO MOLEX ELECTRONIC TECHNOLOGIES, LLC AND SHOULD NOT BE USED WITHOUT WRITTEN PERMISSION			
	DIMENSION UNITS	SCALE		CURRENT REV DESC: ADD NOTE 12
∇ = 0	METRIC	10:1		<p>molex</p> <p>MINI FIT JR SELECT GOLD FEMALE CRIMP TERMINAL</p> <p>PRODUCT CUSTOMER DRAWING</p>
∇ = 0	GENERAL TOLERANCES (UNLESS SPECIFIED)			
∇ = 0		MM	INCH	
S = 0	4 PLACES	±	±	
∇ = 0	3 PLACES	±	± 0.01	<p>EC NO: 625416</p> <p>DRWN: DSTEIER 2019/10/09</p> <p>CHK'D: MKIPPER 2019/10/10</p> <p>APPR: FSMITH 2019/10/10</p>
∇ = 0	2 PLACES	± 0.25	± 0.01	INITIAL REVISION:
∇ = 0	1 PLACE	± 0.25	±	DRWN: HHIRAMOT 1991/05/18
∇ = 0	0 PLACES	±	±	APPR: FSMITH 2013/01/11
∇ = 0	ANGULAR TOL	± 3.0 °		<p>THIRD ANGLE PROJECTION</p> <p>DRAWING SERIES</p> <p>C-SIZE 5556</p>
∇ = 0	DRAFT WHERE APPLICABLE MUST REMAIN WITHIN DIMENSIONS			<p>DOCUMENT NUMBER</p> <p>SD-5556-006</p> <p>MATERIAL NUMBER</p> <p>SEE CHART</p>
				<p>DOC TYPE</p> <p>PSD</p> <p>CUSTOMER</p> <p>GENERAL MARKET</p>
				<p>DOC PART</p> <p>001</p> <p>SHEET NUMBER</p> <p>1 OF 2</p>
				<p>REVISION</p> <p>H1</p>

	12	11	10	9	8	7	6	5	4	3	2	1			
H	PHOS BRONZE	SELECTIVE GOLD (0.76um)/30m. in. MIN. AND			(0.9) .035	(4.5) .177	(3.6) .142	(0.6) .024	(2.7) .106	(2.3) .091	∅ (3.1) .122 MAX.	# 16	▲ -0186	PBGS3PL	LOOSE
		SELECTIVE TIN (2.54um)/100m.i. MIN. OVER			(0.6) .024	(2.3) .091	(2.3) .091	(0.4) .016	(1.65) .065	(1.8) .071	∅ (0.9-1.8) .035-.071	#22-28	-0185	PBGS3P	CHAIN
		NICKEL (1.27um)/50m. in. MIN. OVERALL			(0.9) .035	(4.5) .177	(3.6) .142	(0.5) .020	(2.3) .091	(2.3) .075	∅ (1.3-3.1) .051-.122	# 18-24	▼ -0184	PBGS2PL	LOOSE
G	BRASS	SELECTIVE GOLD (1.27um)/50m. in. MIN. AND			(0.9) .035	(4.5) .177	(3.6) .142	(0.6) .024	(2.7) .106	(2.3) .091	∅ (3.1) .122 MAX.	# 16	▲ -0182	PBGSPL	LOOSE
		SELECTIVE TIN (2.54 μm)/ 100 m.in. MIN. OVER			(0.6) .024	(2.3) .091	(2.3) .091	(0.4) .016	(1.65) .065	(1.8) .071	∅ (0.9-1.8) .035-.071	#22-28	▼ -0183	PBGS2P	CHAIN
		NICKEL (1.27um)/50m. in. MIN. OVERALL			(0.9) .035	(4.5) .177	(3.6) .142	(0.5) .020	(2.3) .091	(1.9) .075	∅ (1.3-3.1) .051-.122	# 18-24	3900-0181	PBGSP	CHAIN
F	BRASS	SELECTIVE GOLD (0.76um)/30m. in. MIN. AND			(0.9) .035	(4.5) .177	(3.6) .142	(0.6) .024	(2.7) .106	(2.3) .091	∅ (3.1) .122 MAX.	# 16	▲ -0142	GS9L	LOOSE
		SELECTIVE TIN (2.54 μm)/ 100 m.in. MIN. OVER			(0.6) .024	(2.3) .091	(2.3) .091	(0.4) .016	(1.65) .065	(1.8) .071	∅ (0.9-1.8) .035-.071	#22-28	-0141	GS9	CHAIN
		NICKEL (1.27um)/50m. in. MIN. OVERALL			(0.9) .035	(4.5) .177	(3.6) .142	(0.5) .020	(2.3) .091	(1.9) .075	∅ (1.3-3.1) .051-.122	# 18-24	40-13-0852	GS7L	LOOSE
E	BRASS	SELECTIVE GOLD (0.38um)/15m. in. MIN. AND			(0.9) .035	(4.5) .177	(3.6) .142	(0.6) .024	(2.7) .106	(2.3) .091	∅ (3.1) .122 MAX.	# 16	▲ -0140	GS8L	LOOSE
		SELECTIVE TIN (2.54 μm)/ 100 m.in. MIN. OVER			(0.6) .024	(2.3) .091	(2.3) .091	(0.4) .016	(1.65) .065	(1.8) .071	∅ (0.9-1.8) .035-.071	#22-28	39-00-0139	GS8	CHAIN
		NICKEL (1.27um)/50m. in. MIN. OVERALL			(0.9) .035	(4.5) .177	(3.6) .142	(0.5) .020	(2.3) .091	(1.9) .075	∅ (1.3-3.1) .051-.122	# 18-24	40-13-0851	GS7	CHAIN
D	BRASS	SELECTIVE GOLD (0.76um)/30m. in. MIN. AND			(0.9) .035	(4.5) .177	(3.6) .142	(0.6) .024	(2.7) .106	(2.3) .091	∅ (3.1) .122 MAX.	# 16	▲ -0093	GS6L	LOOSE
		SELECTIVE TIN (2.54 μm)/ 100 m.in. MIN. OVER			(0.6) .024	(2.3) .091	(2.3) .091	(0.4) .016	(1.65) .065	(1.8) .071	∅ (0.9-1.8) .035-.071	#22-28	-0092	GS5L	LOOSE
		NICKEL (1.27um)/50m. in. MIN. OVERALL			(0.9) .035	(4.5) .177	(3.6) .142	(0.5) .020	(2.3) .091	(1.9) .075	∅ (1.3-3.1) .051-.122	# 18-24	-0091	GS5	CHAIN
C	BRASS	SELECTIVE GOLD (0.76um)/30m. in. MIN. AND			(0.9) .035	(4.5) .177	(3.6) .142	(0.6) .024	(2.7) .106	(2.3) .091	∅ (3.1) .122 MAX.	# 16	▲ -0074	GS4L	LOOSE
		SELECTIVE TIN (2.54um)/100m.i. MIN. OVER			(0.6) .024	(2.3) .091	(2.3) .091	(0.4) .016	(1.65) .065	(1.8) .071	∅ (0.9-1.8) .035-.071	#22-28	-0073	GS4	CHAIN
		NICKEL (1.27um)/50m. in. MIN. OVERALL			(0.9) .035	(4.5) .177	(3.6) .142	(0.5) .020	(2.3) .091	(1.9) .075	∅ (1.3-3.1) .051-.122	# 18-24	-0090	GS3L	LOOSE
B	BRASS	SELECTIVE GOLD (0.76um)/30m. in. MIN. AND			(0.9) .035	(4.5) .177	(3.6) .142	(0.6) .024	(2.7) .106	(2.3) .091	∅ (3.1) .122 MAX.	# 16	▲ -0089	GS3	CHAIN
		SELECTIVE TIN (2.54um)/100m.i. MIN. OVER			(0.6) .024	(2.3) .091	(2.3) .091	(0.4) .016	(1.65) .065	(1.8) .071	∅ (0.9-1.8) .035-.071	#22-28	-0435	GS2L7F	LOOSE
		NICKEL (1.27um)/50m. in. MIN. OVERALL			(0.9) .035	(4.5) .177	(3.6) .142	(0.5) .020	(2.3) .091	(1.9) .075	∅ (1.3-3.1) .051-.122	# 18-24	-0434	GS27F	CHAIN
A	BRASS	SELECTIVE GOLD (0.76um)/30m. in. MIN. AND			(0.9) .035	(4.5) .177	(3.6) .142	(0.6) .024	(2.7) .106	(2.3) .091	∅ (3.1) .122 MAX.	# 16	▲ -0429	GS17F	LOOSE
		SELECTIVE TIN (2.54um)/100m.i. MIN. OVER			(0.6) .024	(2.3) .091	(2.3) .091	(0.4) .016	(1.65) .065	(1.8) .071	∅ (0.9-1.8) .035-.071	#22-28	39-00-0428	5556 GS7F	CHAIN
		NICKEL (1.27um)/50m. in. MIN. OVERALL			(0.9) .035	(4.5) .177	(3.6) .142	(0.5) .020	(2.3) .091	(1.9) .075	∅ (1.3-3.1) .051-.122	# 18-24			
	MATERIAL	FINISH			F	E	D	C	B	A	INS. RANGE	WIRE RANGE	EDP NO.	ENG. NO.	FORM

SYMBOLS	THIS DRAWING CONTAINS INFORMATION THAT IS PROPRIETARY TO MOLEX ELECTRONIC TECHNOLOGIES, LLC AND SHOULD NOT BE USED WITHOUT WRITTEN PERMISSION										
	DIMENSION UNITS		SCALE		CURRENT REV DESC: ADD NOTE 12						
∇ = 0	METRIC		10:1		molex MINI FIT JR SELECT GOLD FEMALE CRIMP TERMINAL						
∇ = 0	GENERAL TOLERANCES (UNLESS SPECIFIED)										
∇ = 0			MM	INCH	EC NO: 625416						
S = 0	4 PLACES	±			DRWN: DSTEIER 2019/10/09						
▼ = 0	3 PLACES	±		± 0.01	CHK'D: MKIPPER 2019/10/10						
∇ = 0	2 PLACES	±	0.25	± 0.01	APPR: FSMITH 2019/10/10						
∇ = 0	1 PLACE	±	0.25	±	INITIAL REVISION:						
⊠ = 0	0 PLACES	±		±	DRWN: HHIRAMOT 1991/05/18						
■ = 0	ANGULAR TOL ± 3.0 °				APPR: FSMITH 2013/01/11						
∇ = 0	DRAFT WHERE APPLICABLE MUST REMAIN WITHIN DIMENSIONS				THIRD ANGLE PROJECTION		DRAWING	SERIES	MATERIAL NUMBER	CUSTOMER	SHEET NUMBER
						C-SIZE	5556	SEE CHART	GENERAL MARKET	2 OF 2	