

Data sheet | Item number: 286-364/004-000

Relay module; Nominal input voltage: 24 VDC; 1 make contact; Limiting continuous current: 3 A; Railway; Red status indicator; Module width: 10 mm; gray

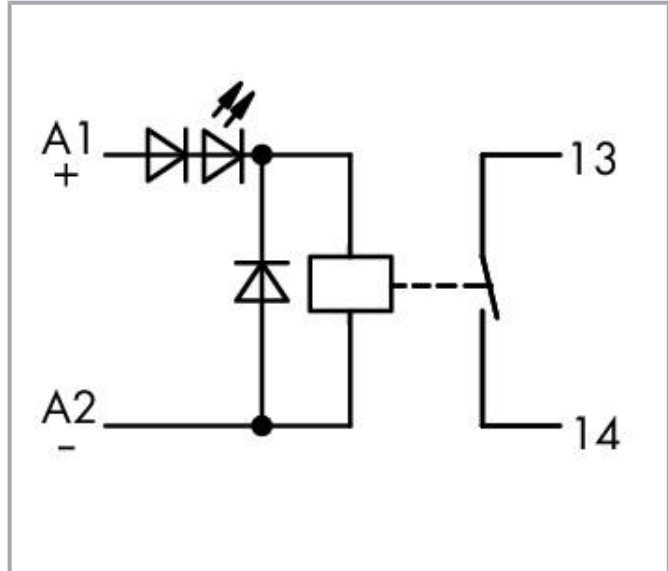


www.wago.com/286-364/004-000



 Picture differs from the item.

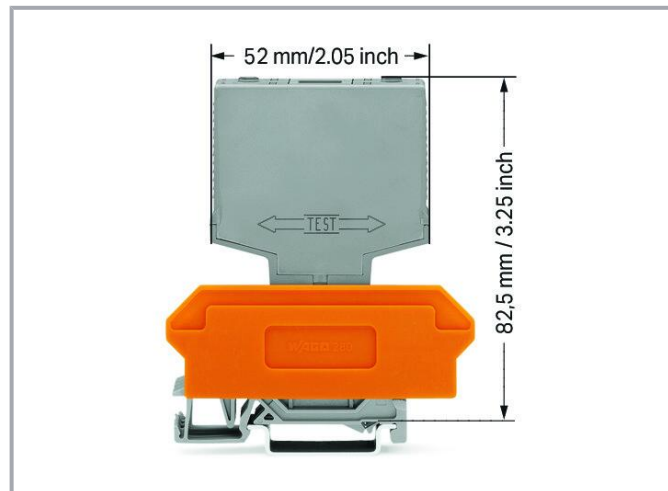
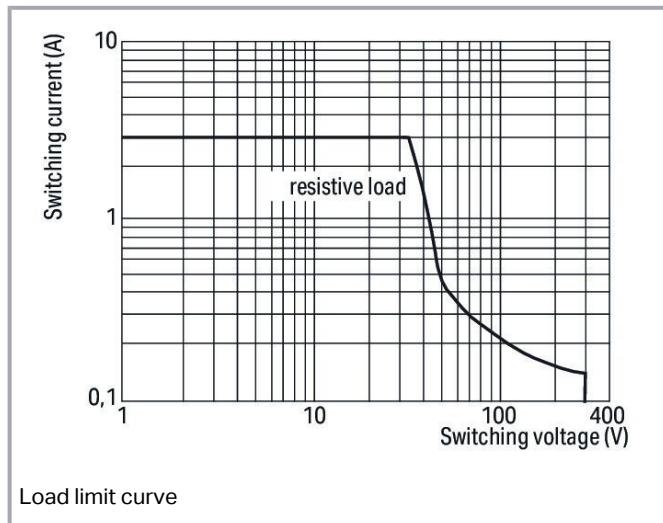
Color: —



Subject to changes. Please also observe the further product documentation!

WAGO GmbH & Co. KG
Hansastr. 27
32423 Minden
Phone: +49571 887-0 | Fax: +49571 887-169
Email: info.de@wago.com | Web: www.wago.com

Do you have any questions about our products?
We are always happy to take your call at +49 (571) 887-44222.



Data Notes

Note This relay is designed for use in signal processing networks, which are not supplied by the low-voltage power supply networks.

Technical data

Control circuit

| | |
|--------------------------------|---------------|
| Nominal input voltage U_N | DC 24 V |
| Input voltage range | -30 ... +25 % |
| Nominal input current at U_N | 8 mA |

Load circuit

| | |
|-----------------------------------|--------------------|
| Number of make/switch-on contacts | 1 |
| Contact material (relay) | AgSnO ₂ |
| Limiting continuous current | 3 A |
| Switching voltage (max.) | AC 250 V |
| Pull-in time (typ.) | 8 ms |
| Drop-out time (typ.) | 4 ms |
| Bounce time (typ.) | 2 ms |

Subject to changes. Please also observe the further product documentation!

Signaling

| | |
|------------------|---------|
| Status indicator | Red LED |
|------------------|---------|

Safety and protection

| | |
|--|--|
| Rated voltage | 300 V |
| Overvoltage category | II |
| Pollution degree | 2 |
| Dielectric strength (control/load circuit) (AC, 1 min) | 3 kVrms |
| Dielectric strength (open contact) (AC, 1 min) | 1 kVrms |
| Insulation type (control/load circuit) | Reinforced insulation (safe isolation) |
| Insulation type (open contact) | Functional insulation |
| Insulation type (adjacent devices) | Reinforced insulation (safe isolation) |
| Protection type | IP20 |

Physical data

| | |
|------------------------------------|------------------------|
| Width | 10 mm / 0.394 inches |
| Height from upper-edge of DIN-rail | 82.5 mm / 3.248 inches |
| Depth | 52 mm / 2.047 inches |

Mechanical data

| | |
|---------------|---|
| Mounting type | Pluggable module for receptacle terminal blocks |
|---------------|---|

Material data

| | |
|-----------|----------|
| Color | gray |
| Fire load | 0.399 MJ |
| Weight | 19.4 g |

Environmental requirements

| | |
|---|--|
| Ambient temperature (operation at U_N) | -25 ... +70 °C |
| Ambient temperature (storage) | -25 ... +70 °C |
| Processing temperature | -25 ... +50 °C |
| Temperature range of connection cable | $\geq (T_{\text{ambient}} + 20 \text{ K})$ |
| Relative humidity | 5 ... 85 % (no condensation permissible) |
| Operating altitude (max.) | 2000 m |

Subject to changes. Please also observe the further product documentation!



Standards and specifications

Standards/specifications

EN 50121-3-2

Commercial data

| | |
|-----------------------|--------------------------|
| Product Group | 6 (INTERFACE ELECTRONIC) |
| eCl@ss 10.0 | 27-37-16-01 |
| eCl@ss 9.0 | 27-37-16-01 |
| ETIM 8.0 | EC001437 |
| ETIM 7.0 | EC001437 |
| Recupel Type | |
| ECCN | NO DATA |
| PU (SPU) | 25 (1) pcs |
| Packaging type | box |
| Country of origin | DE |
| GTIN | 4045454525002 |
| Customs tariff number | 85364900990 |

Environmental Product Compliance

| | |
|---|---|
| CAS-No. | 1303-86-2 1317-36-8 7439-92-1 79-94-7 |
| REACH Candidate List Substance | 2,2',6,6'-tetrabromo-4,4'-isopropylidenediphenol Diboron trioxide Lead Lead monoxide |
| RoHS Compliance Status | Compliant,With Exemption |
| RoHS Exemption | 6(c) 7(a) 7(c)-I 7(c)-II |
| SCIP notification number (Bulgaria) | 13316a8f-29c5-45a3-81f8-4e33dd677464 |
| SCIP notification number (Czech Republic) | 6cadb829-54dd-41ef-947c-e5ec9ec1ed66 |

Approvals / Certificates

General approvals

| Logo | Approval | Additional Approval Text | Certificate name |
|------|----------|--------------------------|------------------|
|------|----------|--------------------------|------------------|

Subject to changes. Please also observe the further product documentation!

WAGO GmbH & Co. KG
Hansastr. 27
32423 Minden
Phone: +49571 887-0 | Fax: +49571 887-169
Email: info.de@wago.com | Web: www.wago.com

Do you have any questions about our products?
We are always happy to take your call at +49 (571) 887-44222.





EAC
Brjansker Zertifizierungsstelle

TP TC 004/2011

EAC RU C-
DE.AM02.
B.00122
/19

Declarations of conformity and manufacturer's declarations

| Logo | Approval | Additional Approval Text | Certificate name |
|--|--|--------------------------|------------------|
|  | EU-Declaration of Conformity WAGO GmbH & Co. KG | - | - |
|  | UK-Declaration of Conformity WAGO GmbH & Co. KG | - | - |

Optional accessories

Terminal blocks

Terminal block for pluggable modules



Item no.: 280-608

Terminal block for pluggable modules; 4-pole; with 4-conductor terminal blocks; with orange separator; www.wago.com/280-608
for DIN-rail 35 x 15 and 35 x 7.5; 2.5 mm²; CAGE CLAMP®; 2,50 mm²; gray



Item no.: 280-618

Terminal block for pluggable modules; 4-pole; with 2-conductor terminal blocks; with orange separator; www.wago.com/280-618
for DIN-rail 35 x 15 and 35 x 7.5; 2.5 mm²; CAGE CLAMP®; 2,50 mm²; gray



Item no.: 280-762

Terminal block for pluggable modules; 4-pole; with 4-conductor terminal blocks; with marker carrier; www.wago.com/280-762
with orange separator; for DIN-rail 35 x 15 and 35 x 7.5; 2.5 mm²; CAGE CLAMP®; 2,50 mm²; gray

Marking accessories

Marker



Item no.: 209-701

WSB marking card; as card; not stretchable; plain; snap-on type; white

www.wago.com/209-701

Downloads

Documentation

Bid Text

286-364/004-000

2019 Feb 19

xml

Download

X81 - Datei

3.8 kB

Subject to changes. Please also observe the further product documentation!

WAGO GmbH & Co. KG

Hansastr. 27

32423 Minden

Phone: +49571 887-0 | Fax: +49571 887-169

Email: info.de@wago.com | Web: www.wago.com

Do you have any questions about our products?

We are always happy to take your call at +49 (571) 887-44222.



| | | | |
|--------------------------------|-------------|----------------|----------|
| 286-364/004-000 doc - Datei | 2015 Mar 27 | doc 26.6 kB | Download |
|--------------------------------|-------------|----------------|----------|

Instruction Leaflet

pdf
1.3 MB

Download

Additional Information

| | | | |
|---|------------------------|---------------|----------|
| Disposal and Recycling Electrical and electronic equipment, Batteries, Packaging | V 1.1.0 2022 Aug 18 | pdf 2.2 MB | Download |
|---|------------------------|---------------|----------|

CAD/CAE-Data

CAD data

| | | |
|------------------------------|-----|----------|
| 2D/3D Models 286-364/004-000 | URL | Download |
|------------------------------|-----|----------|

CAE data

| | | |
|--------------------------------|-----|----------|
| WSCAD Universe 286-364/004-000 | URL | Download |
|--------------------------------|-----|----------|

| | | |
|------------------------------|-----|----------|
| ZUKEN Portal 286-364/004-000 | URL | Download |
|------------------------------|-----|----------|

| | | |
|--------------------------------|-----|----------|
| WSCAD Universe 286-364/004-000 | URL | Download |
|--------------------------------|-----|----------|

Asset Administration Shell

| | | |
|--|-----|----------|
| Asset Administration Shell 286-364/004-000 | URL | Download |
|--|-----|----------|

Environmental Product Compliance

Compliance Search

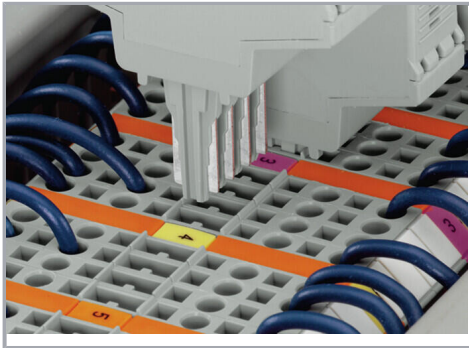
| | | |
|--|-----|----------|
| Environmental Product Compliance 286-364/004-000 | URL | Download |
|--|-----|----------|

Relay module; Nominal input voltage: 24 VDC; 1 make contact; Limiting continuous current: 3 A; Railway; Red status indicator; Module width: 10 mm; gray

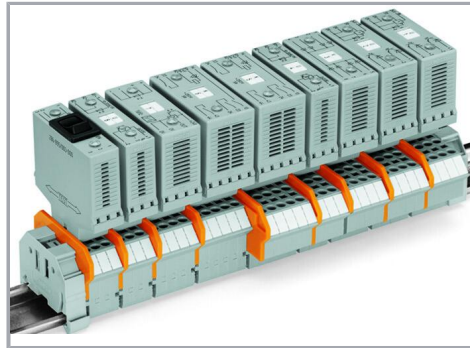
Installation Notes

Installation

Subject to changes. Please also observe the further product documentation!



Coding ensures correct polarity.



Pluggable electronic modules on 2- or 4-conductor carrier terminal blocks

Marking



Marking via WMB Multi Marking System.

Testing



Function testing via touch-proof test slots

Subject to changes. Please also observe the further product documentation!