

THIS DRAWING IS UNPUBLISHED.

RELEASED FOR PUBLICATION

2016

© COPYRIGHT 2016

BY Tyco Electronics Japan G.K.

ALL RIGHTS RESERVED.

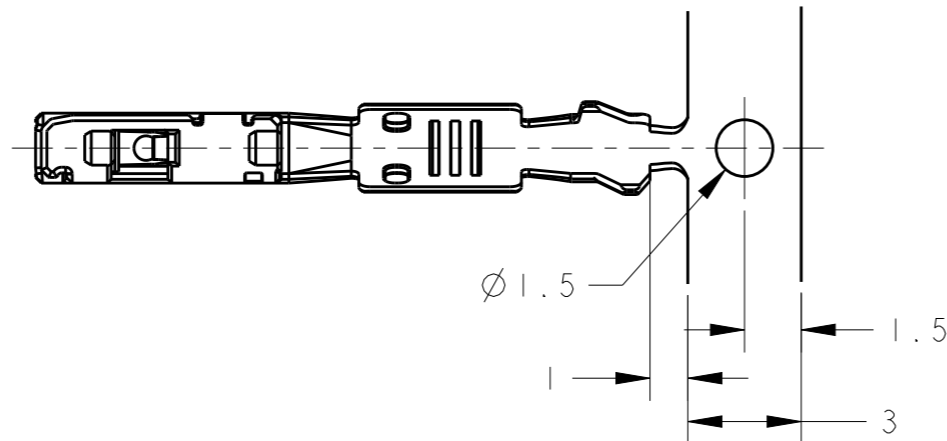
LOC
J

DIST
-

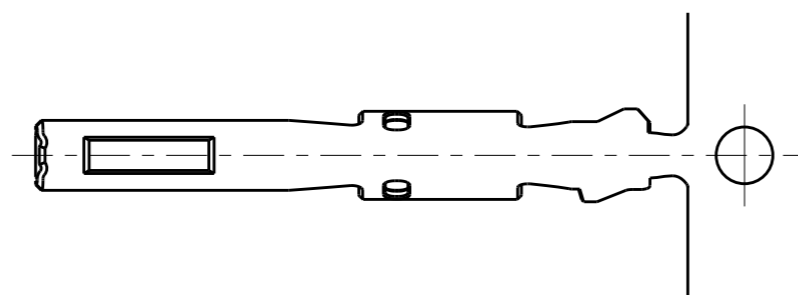
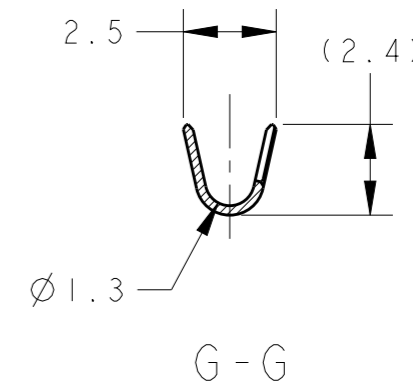
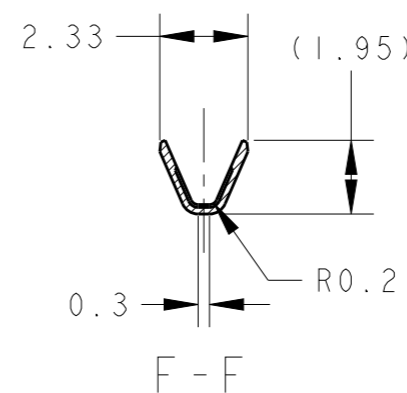
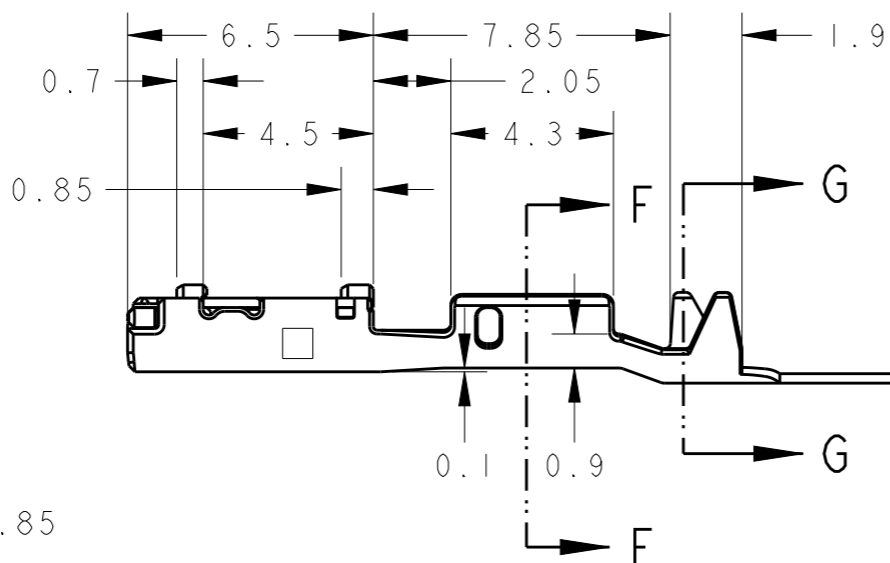
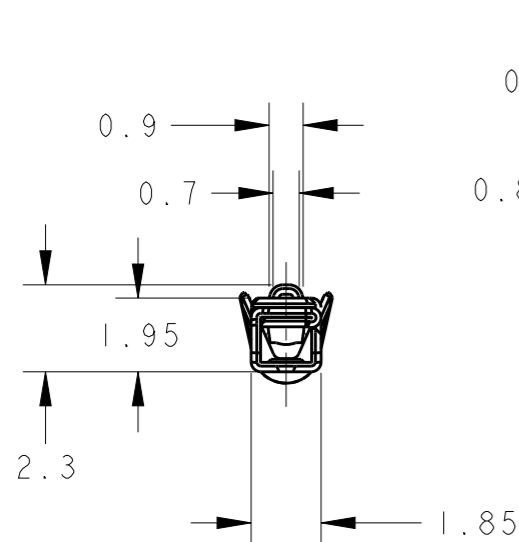
REVISIONS

変更

P	LTR	DESCRIPTION	DATE	DWN	APVD
	A	RELEASED	29SEP2016	KY	TK
	A1	REVISED	11NOV2016	KY	TK
		ECR-16-015765			



AS SHOWN: - 1
本図: - 1

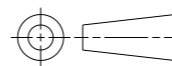


- 1. 通用電線:
AVSS/AESSX/AVSSH 0.3~0.5mm²
- 2. アプリケーター送りピッチ: 10.2mm

- 1. APPLICABLE WIRE RANGE:
AVSS/AESSX/AVSSH 0.3-0.5mm²
- 2. APPLICATER FEED: 10.2mm

THIS DRAWING IS A CONTROLLED DOCUMENT.

DIMENSIONS:
単位: 概
mm



TOLERANCES UNLESS OTHERWISE SPECIFIED:

一般公差	±0.3
0 PLC	±
1 PLC	±0.5
2 PLC	±0.13
3 PLC	±0.013
4 PLC	±0.0013
ANGLES	±3'00"

MATERIAL
材料 Cu Alloy

FINISH
仕上 PRE-TIN

DWN 29SEP2016

K. YOSHIMURA

CHK 29SEP2016

Y. NOGUCHI

APVD 29SEP2016

T. KOHNO

PRODUCT SPEC

製品規格

108-78947

APPLICATION SPEC

取付適用規格

114-5500

WEIGHT

0.27 g

CUSTOMER DRAWING

WIRE RANGE
包合電線断面積 0.3-0.5mm²

INSULATION DIA
被覆外径 $\phi 1.3-\phi 1.7$



NAME
名称 SEALED 1.0 RECEPTACLE CONTACT
SS-SIZE

SIZE	CAGE CODE	DRAWING NO 番号	RESTRICTED TO
A3	00779	C=2201289	-

SCALE 尺度	SHEET 1	OF 1	REV A1
5:1			