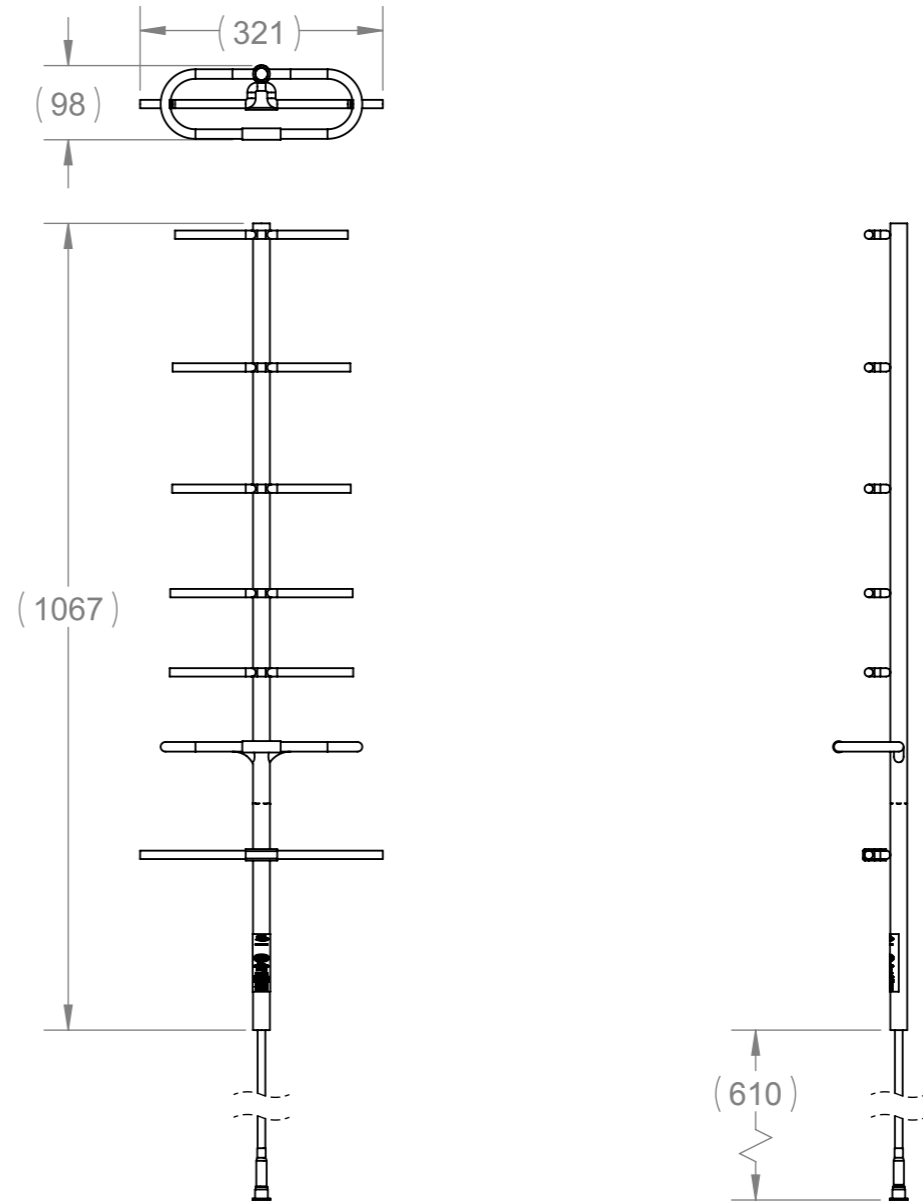


PARAMETER	PERFORMANCE
MODEL NUMBER	YF450112-61NF
FREQUENCY	440-490 MHz
GAIN	12 dBi
POLARIZATION	VERTICAL OR HORIZONTAL
RADIATION PATTERN	DIRECTIONAL
VSWR	< 1.5:1 Nominal
	<1.8:1 Maximum
POWER RATING	250 WATTS
IP RATING	IP67
OPERATING TEMPERATURE	-30° C TO +70° C
STORAGE TEMPERATURE	-40° C TO +85° C
OPERATIONAL WIND RATING	100 mph (160 km/h) (5.8 lbf load)
SURVIVAL WIND RATING	136 mph (220 km/h) (10.6 lbf load)
WEIGHT WITHOUT BRACKET	2.78 lbs (1.26 kg)
WEIGHT WITH BRACKET	4.30 lbs (1.95 kg)
FRONT TO BACK RATIO	20dB
TERMINATION	N-FEMALE
CABLE TYPE	RG213
IMPEDANCE	50 ohm TYP.

REVISIONS					
REV.	ECN#	ZONE	DESCRIPTION	CHANGED BY/DATE	APPROVED BY/DATE
AA	ECN-IAS-03974	ALL	INITIAL RELEASE	S.S. 20APR15	R.H. 20APR15
F01	ECN-IAS-05178	ALL	UPDATED CHART INFO, CORRECTED PIGTAIL LENGTH	S.J. 10MAR16	R.H. 10MAR16
F02	ECN-IAS-05391	D5	VSWR SPEC WAS <1.5:1, POWER RATING WAS 200 WATTS	S.J. 13MAY16	R.H. 13MAY16
F03	ECN-18-00248	CHART	CHGD FREQ WAS 450-490, CHGD VSWR MAX WAS 1.7:1	M.L. 14JUN18	A.M. 14JUN18



MATERIAL: N/A	THIRD ANGLE PROJECTION											
FINISH: N/A												
DO NOT SCALE DRAWING		TITLE:										
<table border="1"> <thead> <tr> <th>APPROVALS</th> <th>DATE</th> </tr> </thead> <tbody> <tr> <td>DRAWN BY S. SAFVI</td> <td>20APR15</td> </tr> <tr> <td>ELEC. ENG. R. HARO</td> <td>20APR15</td> </tr> <tr> <td>MECH. ENG. S. SAFVI</td> <td>20APR15</td> </tr> <tr> <td>MFG./OPS. Y. CASTILLO</td> <td>20APR15</td> </tr> </tbody> </table>		APPROVALS	DATE	DRAWN BY S. SAFVI	20APR15	ELEC. ENG. R. HARO	20APR15	MECH. ENG. S. SAFVI	20APR15	MFG./OPS. Y. CASTILLO	20APR15	<p>INTERPRET DIMENSIONING AND TOLERANCING IN ACCORDANCE WITH ASME Y14.5M-2009</p> <p>TOLERANCES UNLESS OTHERWISE SPECIFIED</p> <p>DIMENSIONS ARE IN MILLIMETERS</p> <p>ANGLE: ±30'</p> <p>0 PLACE DECIMAL: ±0.5</p> <p>1 PLACE DECIMAL: ±0.25</p> <p>2 PLACE DECIMAL: ±0.13</p> <p>SURFACE ROUGHNESS 1.6</p>
APPROVALS	DATE											
DRAWN BY S. SAFVI	20APR15											
ELEC. ENG. R. HARO	20APR15											
MECH. ENG. S. SAFVI	20APR15											
MFG./OPS. Y. CASTILLO	20APR15											
<table border="1"> <tr> <td>SIZE</td> <td>DWG. NO.</td> <td>REV</td> </tr> <tr> <td>A3</td> <td>YF450112-61NFMO</td> <td>F03</td> </tr> </table>		SIZE	DWG. NO.	REV	A3	YF450112-61NFMO	F03					
SIZE	DWG. NO.	REV										
A3	YF450112-61NFMO	F03										
SCALE: 1:10		PREVIOUS#										
		SHEET 1 OF 1										

THIS DRAWING IS UNPUBLISHED.	RELEASED FOR PUBLICATION
© Copyright 2022 TE Connectivity Ltd.	ALL RIGHTS RESERVED.