



50 to 600 Watts Autoranging, AC-DC Switchers

Features & Benefits

- RoHS compliant (VE versions)
- Microcontroller architecture
- Inputs: 115/230 Vac autoranging
- Meets FCC Part 15, EN55022, Class B conducted emissions
- 80 – 90% efficiency
- Any output: 1 to 95V_{DC}
- Module enable/disable (except LU series)
- UL, TÜV, CE marked
- Remote sense and current limit
- BUS OK and AC OK (except LU series)
- 40ms ride-through time
- OVP and thermal shutdown
- 1 output; up to 200W
- 1 or 2 outputs; up to 400W
- 1, 2, or 3 outputs; up to 600W

Product Highlights

If you're looking for the convenience of a complete, low-profile, agency-approved switching power supply, look no further. The FlatPAC combines the Vicor workhorse VI-200 family of DC-DC converters with a modular package and front-end subassembly to provide from 50 to 600W of output power from one to three outputs.

A flat plate heat sink for use in conduction cooled applications may be specified as an alternate to the standard finned version by adding "CC" to the end of the model number.

The Vicor FlatPAC is also available with a current controlled output using BatMod converter modules of 12, 24, or 48V_{DC} outputs. This option is specified by appending "BM" or "BC" (for conduction cooled versions) to the end of the FlatPAC model number.

Mixing VI-200 and BatMods in a single FlatPAC is not permissible.

The FlatPAC's contemporary design allows us to configure your order quickly and provide rapid turnaround on standard models. It is truly a complete power solution, enabling you to spend more time designing your system and less time worrying about how to power it.

Configuration Chart

Typical Model: VI-RU 011-EUUU-:::		
Input 115/230 Vac	Output 1: 5 V _{DC} at 200W 2: 12 V _{DC} at 200W 3: 12 V _{DC} at 200W	Input Characteristics 90–132/180–264 Vac U = Autoranging

Substitute VE- for VI- for RoHS compliant versions			
Configuration	Total Power	# of Converters	Dimensions
Single Output			
VI-LU □ - □ □ □ □	50 – 200W	1	9.25" x 2.5" x 1.37" (234,8 x 124,5 x 34,8mm)
VI-MU □ - □ □ □ □	200 – 400W	2	9.25" x 4.9" x 1.37" (234,8 x 124,5 x 34,8mm)
VI-NU □ - □ □ □ □	300 – 600W	3	9.25" x 7.3" x 1.37" (234,8 x 185,4 x 34,8mm)
Dual Output			
VI-PU □ □ - □ □ □ □	100 – 400W	2	9.25" x 4.9" x 1.37" (234,8 x 124,5 x 34,8mm)
VI-QU □ □ - □ □ □ □	150 – 600W	3	9.25" x 7.3" x 1.37" (234,8 x 185,4 x 34,8mm)
Triple Output			
VI-RU □ □ □ - □ □ □ □	150 – 600W	3	9.25" x 7.3" x 1.37" (234,8 x 185,4 x 34,8mm)

Output Voltage

Z = 2V	W = 5.5V	M = 10V	N = 18.5V	K = 40V	D = 85V
Y = 3.3V	V = 5.8V	1 = 12V	3 = 24V	4 = 48V	B = 95V
0 = 5V	T = 6.5V	P = 13.8V	L = 28V	H = 52V	
X = 5.2V	R = 7.5V	2 = 15V	J = 36V	F = 72V	

Product Grade Temps. °C

Grade	Operating	Storage
E =	0 to +85	-20 to +100
C =	0 to +85	-20 to +100
I =	-30 to +85	-55 to +100

Temperatures apply to product case.

Output Power/Current

V _{OUT} ≥ 5V	V _{OUT} < 5V
Y = 50W	Y = 10A
X = 75W	X = 15A
W = 100W	W = 20A
V = 150W	V = 30A
U = 200W	U = 40A

Output Power/Current

V _{OUT} ≥ 5V	V _{OUT} < 5V
W = 100W	W = 20A
V = 150W	V = 30A
U = 200W	U = 40A
S = 300W	S = 60A
Q = 400W	Q = 80A

Output Power/Current

V _{OUT} ≥ 5V	V _{OUT} < 5V
S = 300W	S = 60A
P = 450W	P = 90A
M = 600W	M = 120A

Options

BC = BatMod/Conduction Cooled	BM = BatMod	CC = Conduction Cooled
-------------------------------	-------------	------------------------

Note: Product images may not highlight current product markings and cosmetic features.

Specifications

(typical at 25°C, nominal line and 75% load, unless otherwise specified)

INPUT SPECIFICATIONS

Parameter	Min	Typ	Max	Unit	Notes
AC line input					
Autoranging		90 – 132/180 – 264		Vac	
Line frequency		47 – 63 47 – 440		Hz	(C-Grade and E-Grade) (I-Grade)
Inrush current: 115 Vac operation:					
1 converter		16		A	@ peak line
2 converters		23		A	@ peak line
3 converters		39		A	@ peak line
Inrush current: 230 Vac operation					
1 converter		32		A	@ peak line
2 converters		47		A	@ peak line
3 converters		78		A	@ peak line
Ride-through time (full load)					
90/180 Vac low line		5		ms	minimum
115/230 Vac nominal line		40		ms	minimum
AC fail warning time		5		ms	minimum (low line, full load)
AC and BUS OK (2 and 3 converter models only)					
Off state – Vce			70	V	
On state – Vcesat			0.4	V	@ 1mA (1.5mA max.)
Module disable (2 and 3 converter models only, optically isolated LED input)					
Continuous forward current		1 – 30		mA	
Forward voltage			1.65	V	@ 30mA
Dielectric withstand					
Primary to chassis GND		2,121		V _{DC}	
Primary to secondary		4,242		V _{DC}	
Secondary to chassis GND		707		V _{DC}	

OUTPUT SPECIFICATIONS

Parameter	E-Grade			C-, I-Grade			Unit	Notes
	Min	Typ	Max	Min	Typ	Max		
Set point accuracy		1%	2%		0.5%	1%	V _{NOM}	
Load/line regulation			0.5%		0.05%	0.2%	V _{NOM}	LL to HL, 10% to Full Load
			1%		0.2%	0.5%	V _{NOM}	LL to HL, No Load to full load
Output temperature drift		0.02			0.01	0.02	%/°C	Over rated temperature
Long term drift		0.02			0.02		%/1k hours	
Output ripple								
2V			150mV		60mV	100mV	p-p	20MHz bandwidth
5V			5%		2%	3%	p-p	20MHz bandwidth
10 – 48V			3%		0.75%	1.5%	p-p	20MHz bandwidth
Output voltage trimming ^[a]	50%		110%	50%		110%		
Total remote sense compensation	0.5			0.5			Volts	0.25V max. neg. leg
OVP set point		125%		115%	125%	135%	V _{NOM}	Recycle power
Current limit	105%		135%	105%		125%	I _{NOM}	Automatic restart
Short circuit current ^[b]	20%		140%	20%		130%	I _{NOM}	

Specifications (Cont.)

THERMAL CHARACTERISTICS

Parameter	E-Grade			C-, I- Grade			Units	Test Conditions
	Min	Typ	Max	Min	Typ	Max		
Efficiency		78 – 88%			80 – 90%			@ 5V and higher
Shut down temp. — case	90	95	105	90	95	105	°C	Cool and recycle power to restart
Operating temp. — case			85			85	°C	See Thermal Curves

MECHANICAL SPECIFICATIONS

Parameter	E-Grade			C-, I- Grade			Units	Test Conditions
	Min	Typ	Max	Min	Typ	Max		
Weight ^[c]		22.4 (652)			22.4 (652)		Ounces (Grams)	

AGENCY APPROVALS

Safety Standards	Markings	Notes
UL1604, UL60950-1	cURus	
UL / CSA / EN / IEC 60950-1	cTÜVus, CE Mark	Low Voltage Directive

EMI / EMC Characteristics

(Performed on selected samples representative of the U Series FlatPac product family.)

Parameter	Notes
Conducted emissions, LISN	EN 55022 and FCC R&R, Part 15, Subpart B, Class B
Radiated emissions, 10 meters	EN 55022; 1998 and FCC R&R, Part 15, Subpart B, Class A
Electrostatic discharge	IEC 61000-4-2: 1995, Level 4; ± 8 kV Contact, ± 15 kV Air Discharge
RF radiated immunity, E-field	IEC 61000-4-3: 1997; 80MHz to 1.0GHz, 3V/M, CW
Electrical fast transients/burst	EN 61000-4-4: 1995, Level 3; ± 2 kV,
Surge immunity	EN 61000-4-5: 1996 Class 3; ± 2 kV Line to Ground, ± 1 kV Line to Line
RF conducted immunity	IEC 61000-4-6: 1996, class 3, $10V_{RMS}$, 150kHz to 80MHz
Power frequency magnetic field immunity	IEC 61000-4-8: 1994, 30 to 300 A/M, 50Hz
Voltage dips and interrupts	IEC 61000-4-11: 1994

^[a] 10V to 15V outputs, trim range $\pm 10\%$. Consult factory for wider trim range.

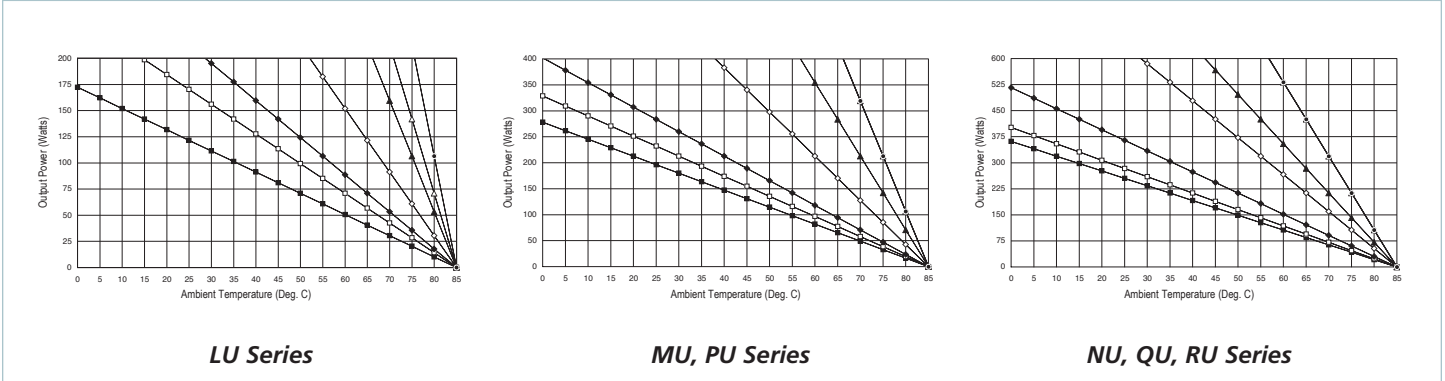
^[b] Output voltages of 5V or less incorporate foldback current limiting, outputs greater than 5V incorporate straight line current limiting.

^[c] For MU, PU series, multiply value by 2; for NU, QU, RU series, multiply value by 3.

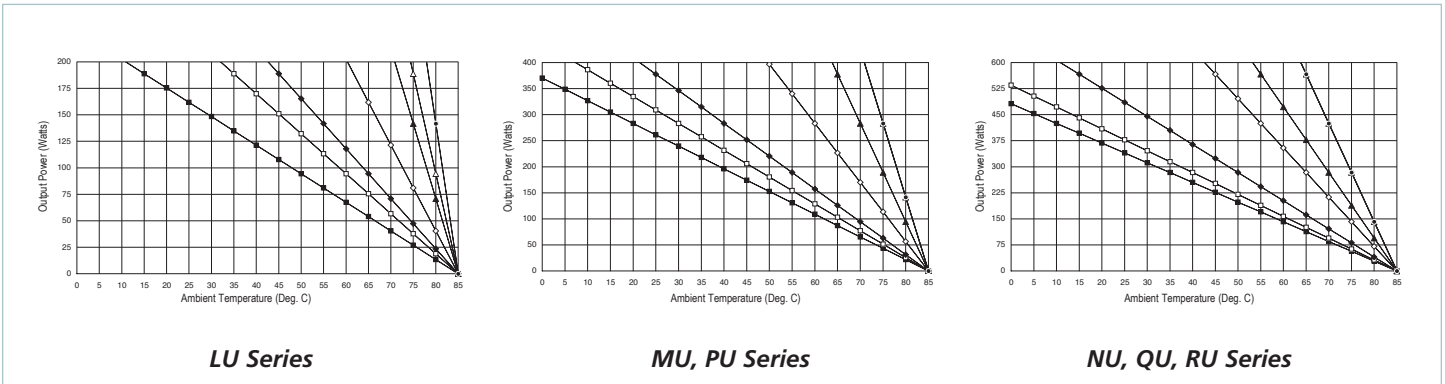
Thermal Curves

■ FREE AIR
 □ 50LFM
 ◆ 100LFM
 ◇ 250LFM
 ▲ 500LFM
 △ 750LFM
 ● 1000LFM

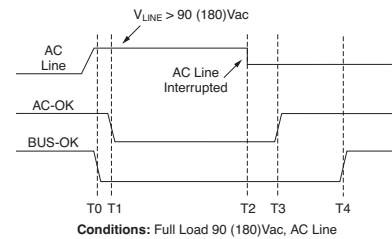
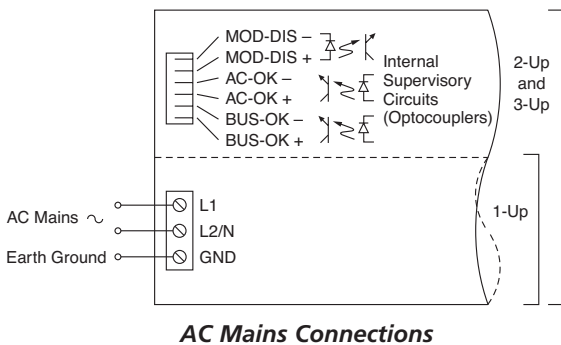
5V Output



10 to 48V Output

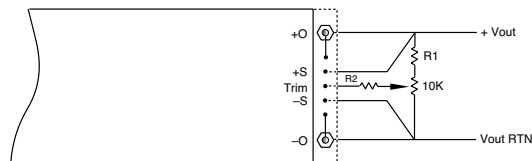


Application Circuits



Time Interval	Min	Typ	Max	Units	Notes
T0-T1	0	0.1	1.0	ms	
T2-T3	0	40	-	ms	Ride-through time
T2-T4	5	-	-	ms	Hold-up time
T3-T4	5	-	-	ms	AC fail warning time

Power Up and Power Down Sequencing



Nom. Output Voltage	Resistor Values for Trimming Standard Output Voltages						Trim Range
	5V	12V	15V	24V	28V	48V	
R1(kΩ)	0.953	15.8	22.1	41.2	48.7	90.9	+10%, -10%
R2(kΩ)	90	90	90	90	90	90	

Output Trimming

Mechanical Drawings

Inputs

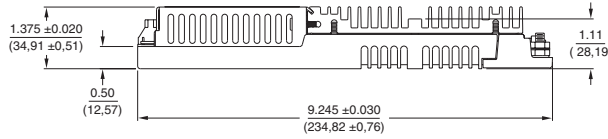
- 1 MOD DIS-
 - 2 MOD DIS+
 - 3 AC OK-
 - 4 AC OK+
 - 5 BUS OK-
 - 6 BUS OK+
 - 7 AC IN L1
 - 8 AC IN L2/N
 - 9 CHASSIS GND
- Input connector, TE Connectivity P/N 644488-6; mating connector
- Terminals for #16-12 AWG wire

Outputs

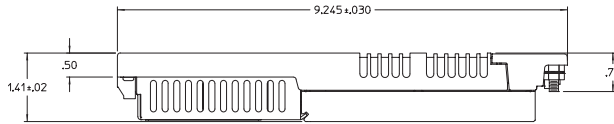
- 10 +OUT (#10-32 Stud)
 - 11 +OUT
 - 12 +SENSE (V_{TRIM}^*)
 - 13 TRIM (I_{TRIM}^*)
 - 14 -SENSE (I_{MON}^*)
 - 15 -OUT
 - 16 -OUT (#10-32 Stud)
- Output connector, TE Connectivity P/N 644486-5; mating connector

*On FlatPACs with BatMODs only.

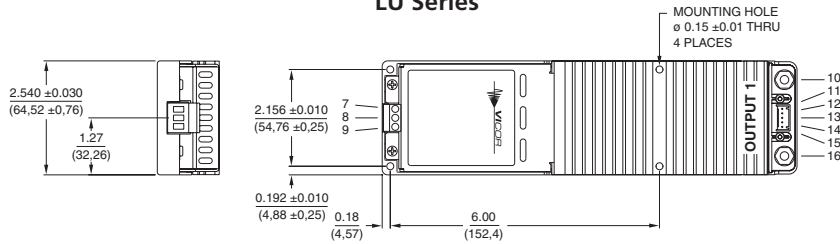
STANDARD Models



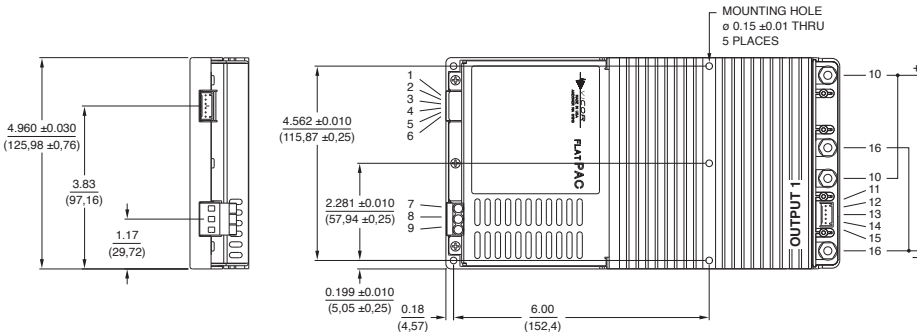
CONDUCTION COOLED Models "-CC"



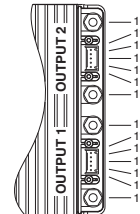
LU Series



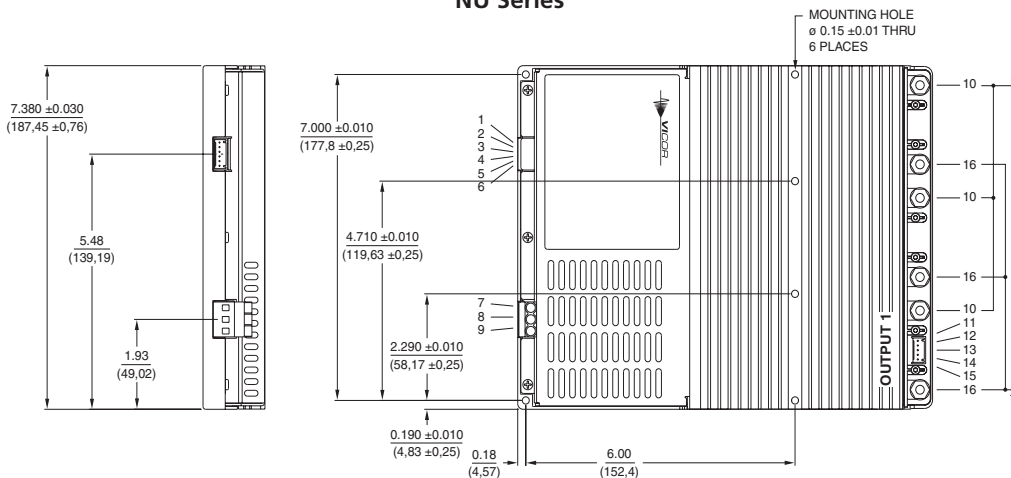
MU Series



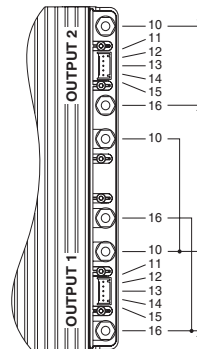
PU Series



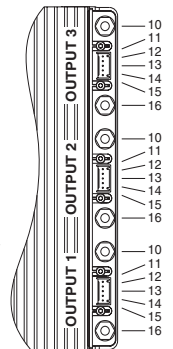
NU Series



QU Series



RU Series



Vicor's comprehensive line of power solutions includes high density AC-DC and DC-DC modules and accessory components, fully configurable AC-DC and DC-DC power supplies, and complete custom power systems.

Information furnished by Vicor is believed to be accurate and reliable. However, no responsibility is assumed by Vicor for its use. Vicor makes no representations or warranties with respect to the accuracy or completeness of the contents of this publication. Vicor reserves the right to make changes to any products, specifications, and product descriptions at any time without notice. Information published by Vicor has been checked and is believed to be accurate at the time it was printed; however, Vicor assumes no responsibility for inaccuracies. Testing and other quality controls are used to the extent Vicor deems necessary to support Vicor's product warranty. Except where mandated by government requirements, testing of all parameters of each product is not necessarily performed.

Specifications are subject to change without notice.

Visit <https://www.vicorpower.com/ac-dc/power-systems/50-600-watt-power-system> for the latest product information.

Vicor's Standard Terms and Conditions and Product Warranty

All sales are subject to Vicor's Standard Terms and Conditions of Sale, and Product Warranty which are available on Vicor's webpage (<https://www.vicorpower.com/termsconditionswarranty>) or upon request.

Life Support Policy

VICOR'S PRODUCTS ARE NOT AUTHORIZED FOR USE AS CRITICAL COMPONENTS IN LIFE SUPPORT DEVICES OR SYSTEMS WITHOUT THE EXPRESS PRIOR WRITTEN APPROVAL OF THE CHIEF EXECUTIVE OFFICER AND GENERAL COUNSEL OF VICOR CORPORATION. As used herein, life support devices or systems are devices which (a) are intended for surgical implant into the body, or (b) support or sustain life and whose failure to perform when properly used in accordance with instructions for use provided in the labeling can be reasonably expected to result in a significant injury to the user. A critical component is any component in a life support device or system whose failure to perform can be reasonably expected to cause the failure of the life support device or system or to affect its safety or effectiveness. Per Vicor Terms and Conditions of Sale, the user of Vicor products and components in life support applications assumes all risks of such use and indemnifies Vicor against all liability and damages.

Intellectual Property Notice

Vicor and its subsidiaries own Intellectual Property (including issued U.S. and Foreign Patents and pending patent applications) relating to the products described in this data sheet. No license, whether express, implied, or arising by estoppel or otherwise, to any intellectual property rights is granted by this document. Interested parties should contact Vicor's Intellectual Property Department.

Contact Us: <https://www.vicorpower.com/contact-us>

Vicor Corporation
25 Frontage Road
Andover, MA, USA 01810
Tel: 800-735-6200
Fax: 978-475-6715
www.vicorpower.com

email

Customer Service: custserv@vicorpower.com
Technical Support: apps@vicorpower.com