

Customer Information Sheet

DRAWING No.: M58-250XX42R

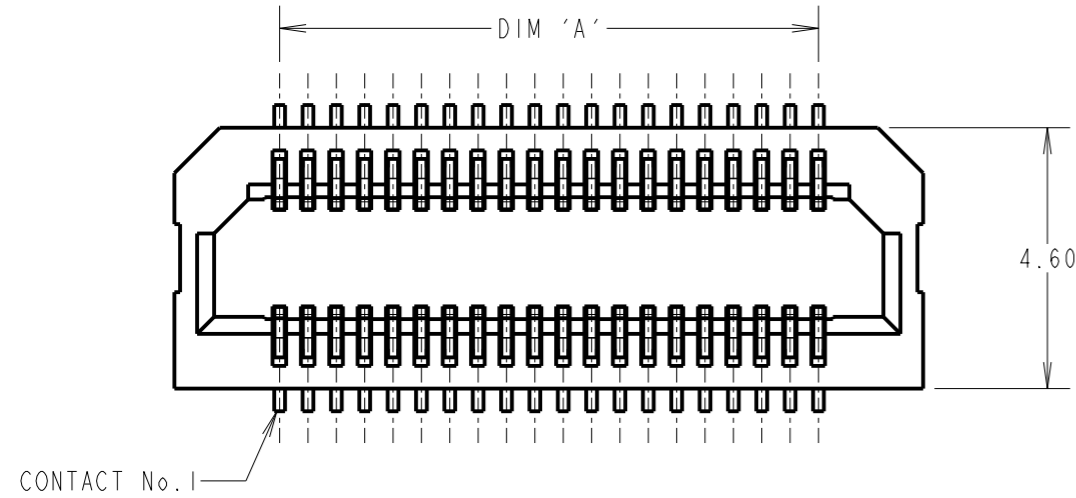
IF IN DOUBT - ASK

©

NOT TO SCALE

THIRD ANGLE PROJECTION

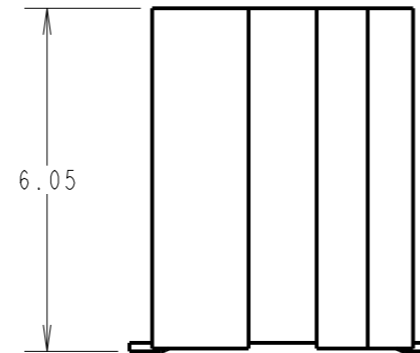
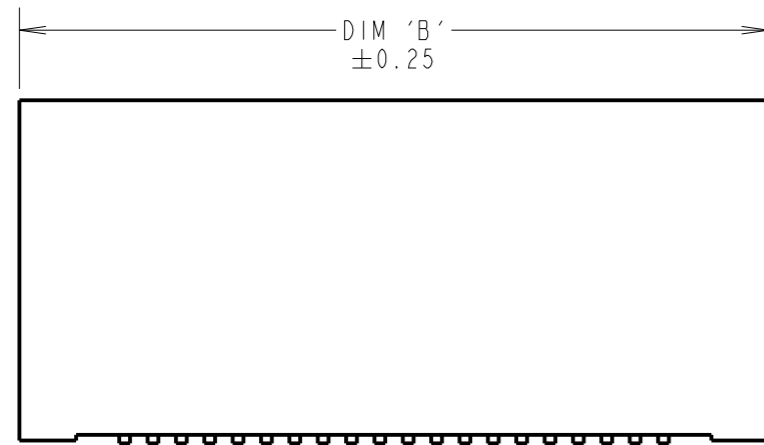
ALL DIMENSIONS IN mm



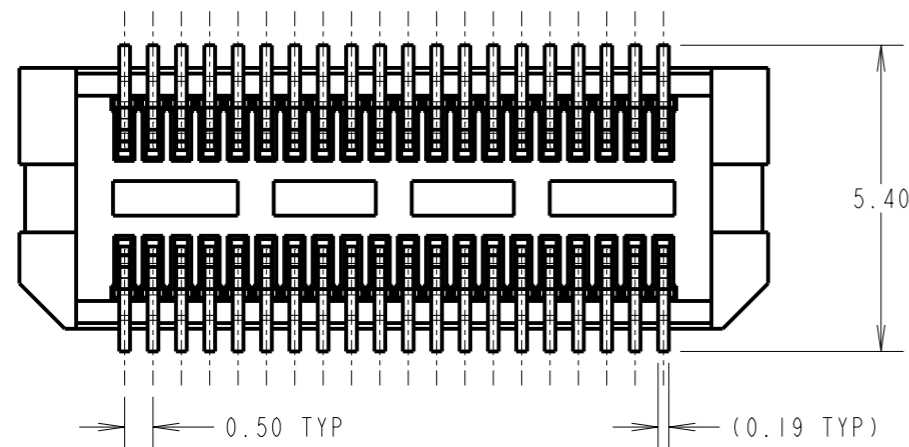
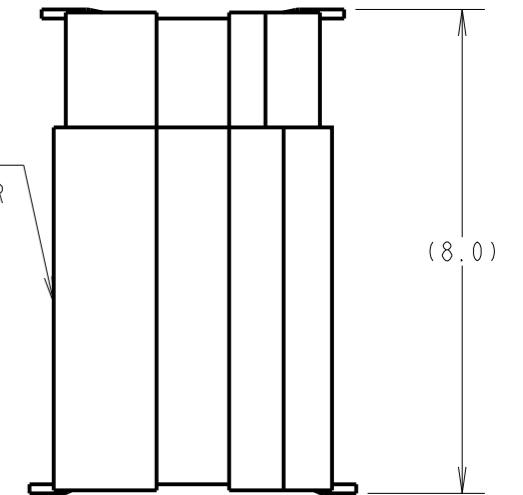
NOTES:

1. FOR COMPLETE SPECIFICATION SEE COMPONENT SPECIFICATION C054XX (LATEST ISSUE).
2. SEE SHEET 4 FOR TAPE AND REEL DETAILS.
3. DRAWING SHOWS M58-2500442R.
4. PCB LAYOUT SHOWING FOOTPRINT OF M58-2500442R.

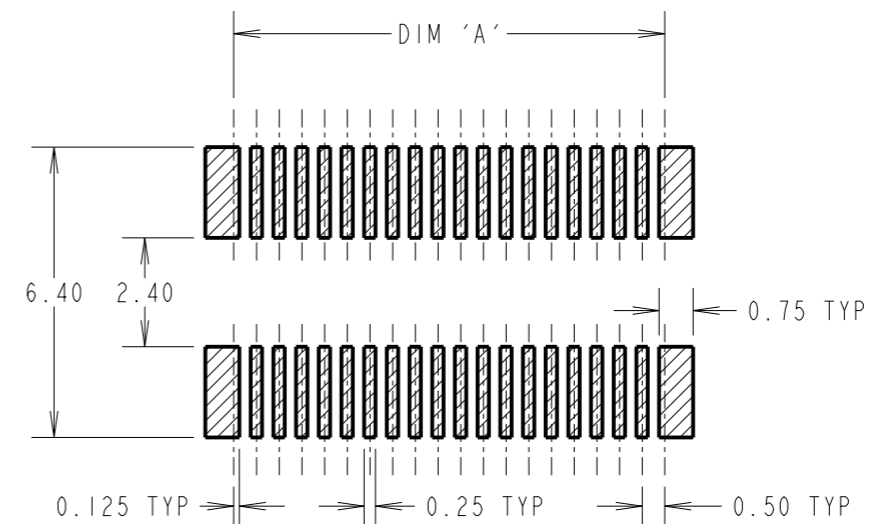
PART No.	DIMENSION		WEIGHT (g)
	DIM 'A'	DIM 'B' ±0.25	
M58-2500342R	7.00	10.70	0.36
M58-2500442R	9.50	13.20	0.45
M58-2500842R	19.50	23.20	0.85
M58-2501042R	24.50	28.20	1.06



MATED VIEW FOR STACK HEIGHT WHEN MATED WITH M58-350XX42R



RECOMMENDED PCB LAYOUT (TOLERANCES ±0.05)



TOLERANCES	
X.	= ±0.50mm
.X	= ±0.25mm
.XX	= ±0.15mm
.XXX	= ±0.08mm
UNLESS STATED	

RA	1	06.04.22	31492
NAME	ISS.	DATE	CN/CO
APPROVED: R.PORTLOCK			
CHECKED: M.RUDKIN			
DRAWN: R.ALEXANDER			
CUSTOMER REF.:			
ASSEMBLY DRG:			

ORDER CODE:

M58-250XX42R

No. OF CONTACTS:	
03 = 30 CONTACTS (15+15)	08 = 80 CONTACTS (40+40)
04 = 40 CONTACTS (20+20)	10 = 100 CONTACTS (50+50)

HARWIN

www.harwin.com
technical@harwin.com

THIS DRAWING AND ANY INFORMATION OR DESCRIPTIVE MATTER SET OUT HEREON ARE CONFIDENTIAL AND COPYRIGHT PROPERTY OF THE HARWIN GROUP AND MUST NOT BE DISCLOSED, LOANED, COPIED OR USED FOR MANUFACTURING, TENDERING OR FOR ANY OTHER PURPOSE WITHOUT THEIR WRITTEN PERMISSION.

TOLERANCES	
X.	= ±1mm
.X	= ±0.50mm
.XX	= ±0.20mm
.XXX	= ±0.01mm
ANGLES = ±5°	
UNLESS STATED	

MATERIAL:

SEE NOTE 1

FINISH:

SEE NOTE 1

S/AREA:

mm²

TITLE:

FEMALE 0.5mm PITCH BOARD TO BOARD VERTICAL SMT

DRAWING NUMBER:

M58-250XX42R

SHT
3 OF 4

Customer Information Sheet

DRAWING No.: M58-250XX42R

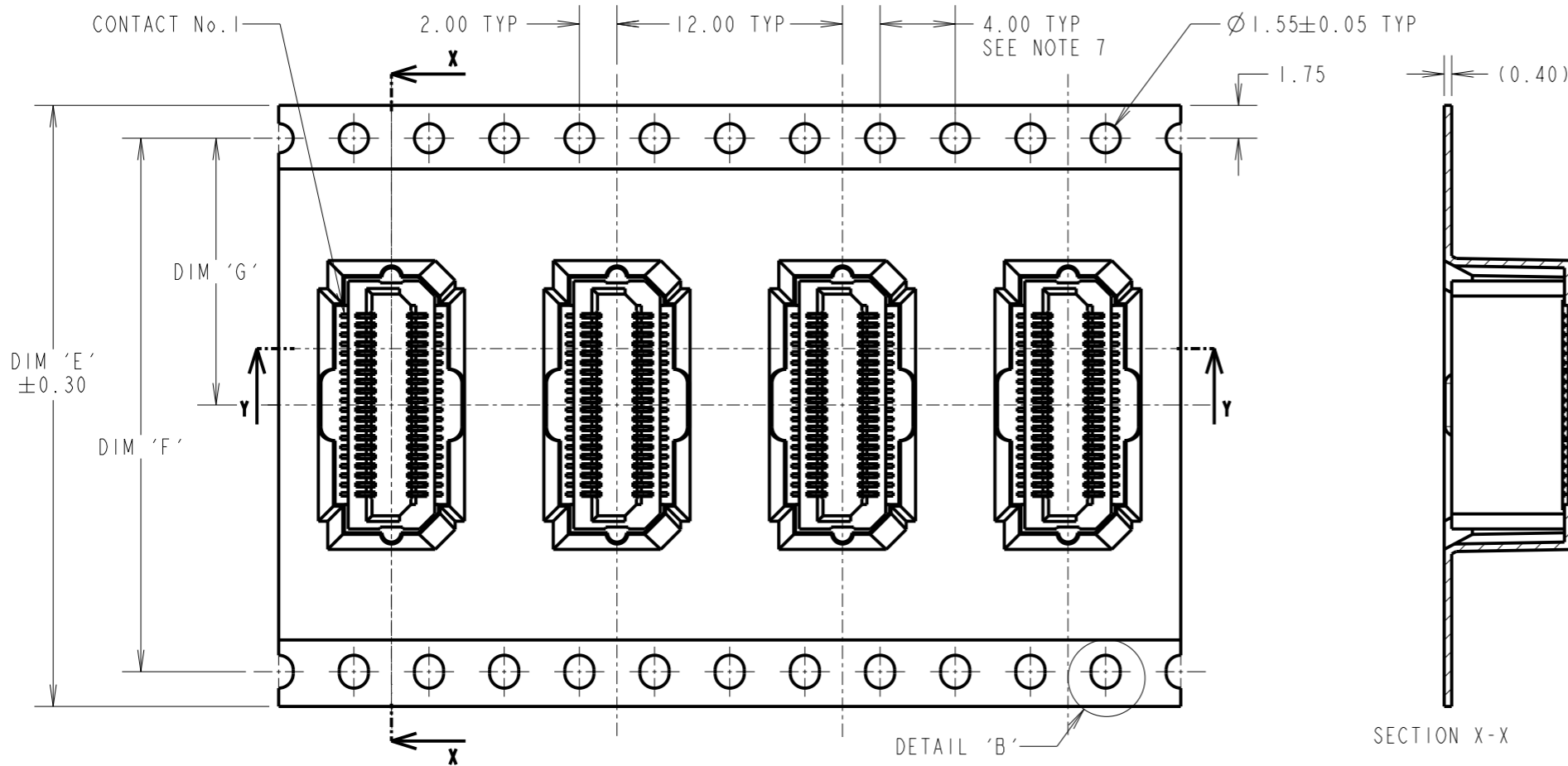
IF IN DOUBT - ASK

©

NOT TO SCALE

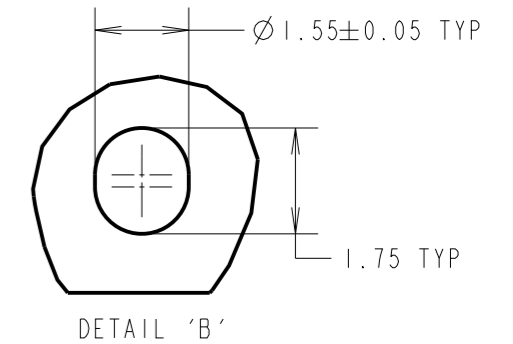
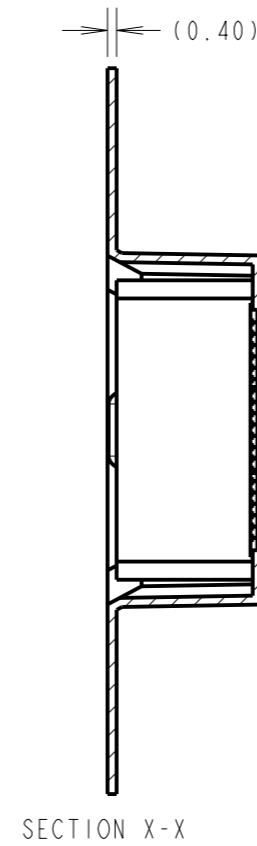
THIRD ANGLE PROJECTION

ALL DIMENSIONS IN mm

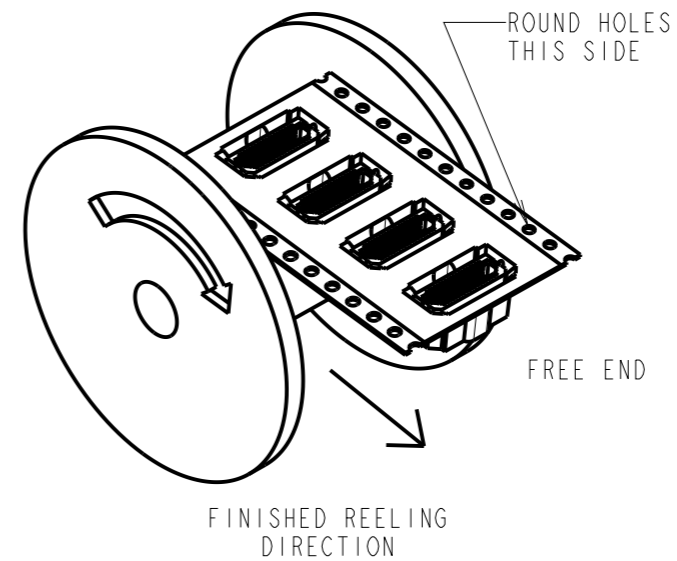
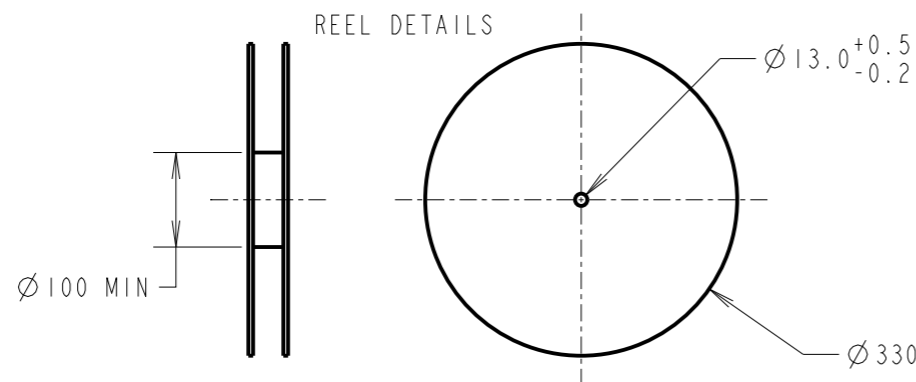
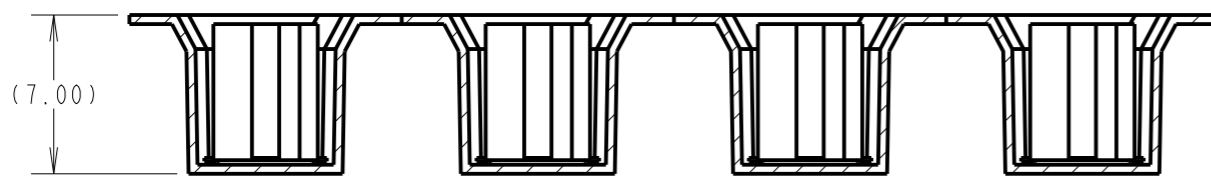


- NOTES:
 5. TAPE AND REEL DRAWING SHOWS M58-2500442R.
 6. THIS PRODUCT IS TAPED AND REELED IN GENERAL ACCORDANCE WITH EIA-481 (ELECTRONICS INDUSTRY ASSOCIATION).
 7. CUMMULATIVE TOLERANCE OVER 10 PITCHES = ± 0.20 mm.

PART No.	DIMENSION			PCS/REEL
	DIM 'E' ± 0.30	DIM 'F'	DIM 'G'	
M58-2500342R	32.00	28.40	14.20	700
M58-2500442R	32.00	28.40	14.20	700
M58-2500842R	44.00	40.40	20.20 ± 0.15	700
M58-2501042R	44.00	40.40	20.20 ± 0.15	700



SECTION Y-Y



RA	1	06.04.22	31492
NAME	ISS.	DATE	CN/CO
APPROVED: R.PORTLOCK			
CHECKED: M.RUDKIN			
DRAWN: R.ALEXANDER			
CUSTOMER REF.:			
ASSEMBLY DRG:			

ORDER CODE:

M58-250XX42R

No. OF CONTACTS: _____
 03 = 30 CONTACTS (15+15) 08 = 80 CONTACTS (40+40)
 04 = 40 CONTACTS (20+20) 10 = 100 CONTACTS (50+50)

HARWIN

www.harwin.com
 technical@harwin.com

THIS DRAWING AND ANY INFORMATION OR DESCRIPTIVE MATTER SET OUT HEREON ARE CONFIDENTIAL AND COPYRIGHT PROPERTY OF THE HARWIN GROUP AND MUST NOT BE DISCLOSED, LOANED, COPIED OR USED FOR MANUFACTURING, TENDERING OR FOR ANY OTHER PURPOSE WITHOUT THEIR WRITTEN PERMISSION.

TOLERANCES
 X. = ± 1 mm
 X.X = ± 0.50 mm
 X.XX = ± 0.20 mm
 X.XXX = ± 0.01 mm
 ANGLES = $\pm 5^\circ$
 UNLESS STATED

MATERIAL:
 SEE NOTE 1
 FINISH: SEE NOTE 1
 S/AREA: mm²

TITLE:
 FEMALE 0.5mm PITCH BOARD TO BOARD VERTICAL SMT

DRAWING NUMBER:
M58-250XX42R

SHT
 4 OF 4