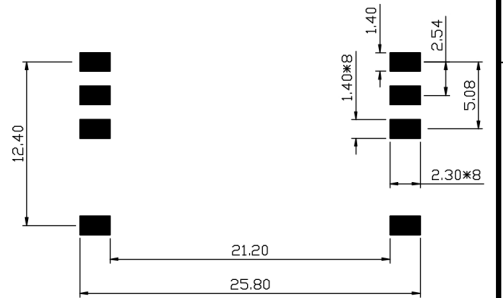
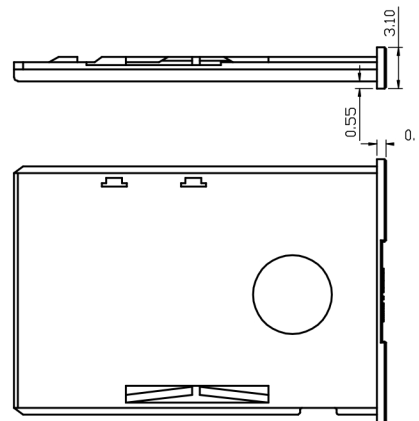
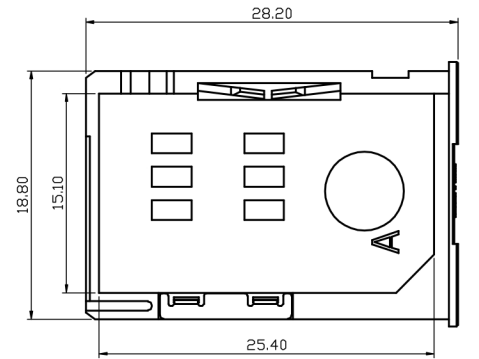
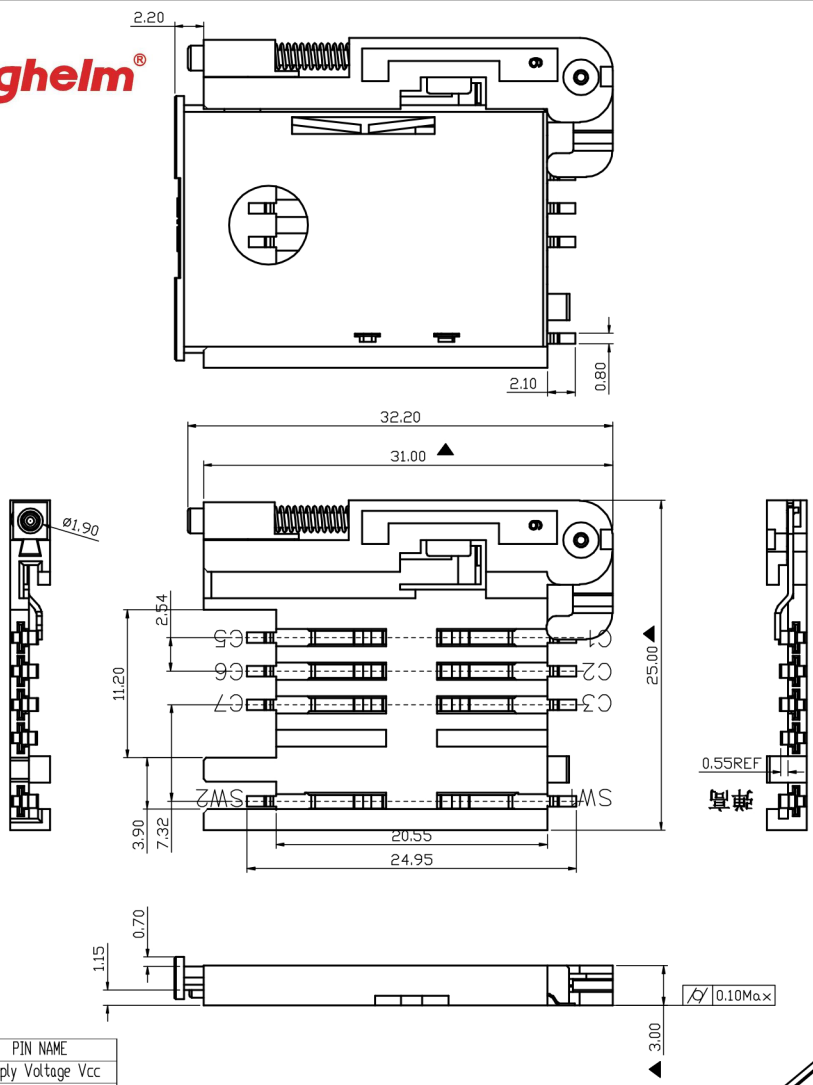


Kinghelm®



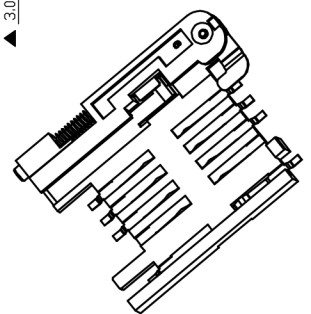
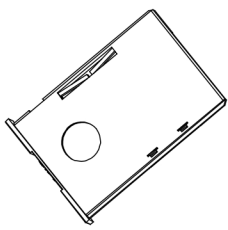
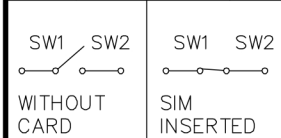
Specification

MATERIAL:
 Insulator: High Temperature Thermoplastic, UL 94V-0.
 塑胶 黑色, 防火等级
 Contact: Copper Alloy (铜) T=0.15mm
 盖子卡托: PA

PLATING:
 Contact: Plated 50u'' Ni Overall Contact Au 3U, pad TiN
 端子 镀底 u, 接触点 u, 焊点锡 u (最少)

Electrical:
 Current Rating :2Amps.max (额定电流:2A最大)
 Voltage Rating :5V AC/DC (额定电压:5V AC/DC)
 Ambient Temperature Range :-20° C +80° C (工作温度: -20度到+60度)
 Storage Temperature Range :-20° C +80° C (工作环境: -20度到+80度)
 Ambient Humidity Range :95% R.H. Max. (上锡效果: 95%以上)
 Contact Resistance:100m max. (端子接触电阻: 100m 最大)
 Insulation Resistance:1000M min./500VDC (绝缘阻抗: 1000兆欧最小)
 产品耐温温度: 260度
 Mating Cycles:5000Min Insertions (寿命: 5000次)

PIN NO.	PIN NAME
C1	Supply Voltage Vcc
C2	Reset (RST)
C3	Clock (CLK)
C4	N/A
C5	Ground
C6	Programing Voltage Vpp
C7	I/O
C8	N/A



深圳市金航标电子有限公司		www.kinghelm.com.cn	
KH-SIM2-2.54-8F		0755-28190160	
DIMENSIONS INIT: mm UNLESS OTHERWISE SPECIFIABLE	PRODUCT NAME :	DRAWING:	DATE:
	Sim 3.0H 卡托式 PUSH带卡套	COCO	2016/05/10
	DIMENSION TOLERANCE	CHECK:	DATE:
	X.X: ± 0.38 X.XX: ± 0.25 X.XXX: ± 0.10 ANGULAR: ± 1'	AG	2016/05/11
	APPROVED:	DATE:	
	JEFF	2016/05/11	
	SCALE:	DWG ID:	REV.:
	NA	P D	A
		PAGE:	
		1 OF 1	

REVISION NO.	ECR NO.	DESCRIPTION	MARK	DATE
1				
2				
3				