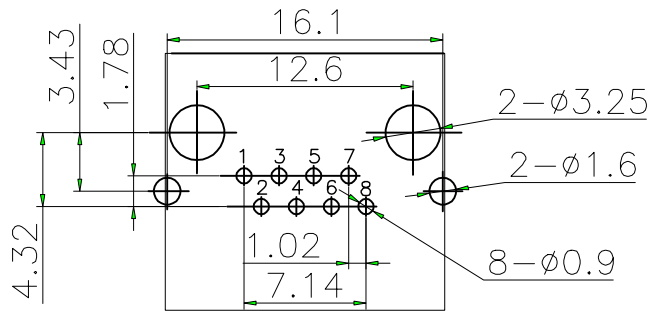
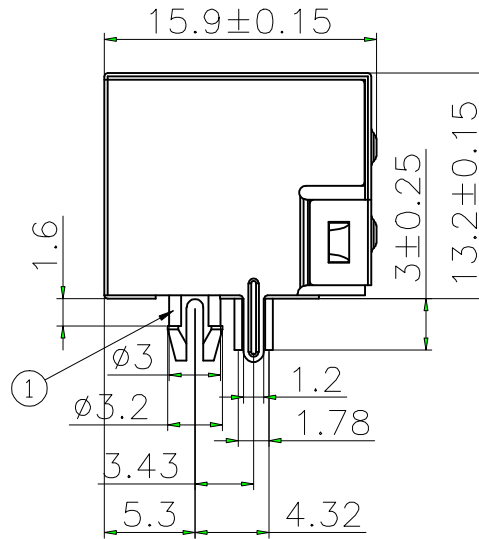
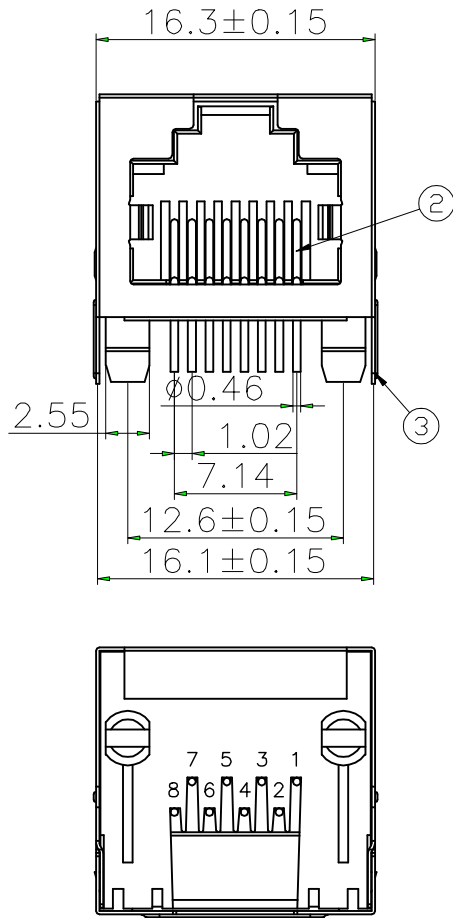


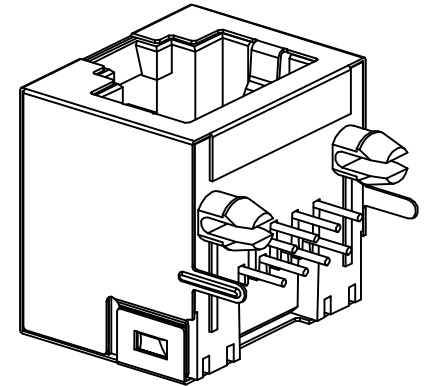
**Kinghelm®**



PCB LAYOUT(TOP VIEW)  
RECOMMENDED

**General Specification**  
 Current Rating:1.5A DC /Contact, 20mA DC for LED signals  
 Voltage Rating:125V AC /Contact, 2.0 volts DC for LED signals  
 Operating Environment  
 Standard Temperature: -20℃~+70℃  
 Industrial Temperature: -40℃~+85℃  
 Humidity: 20~70%  
 Contact Resistance:≤30mΩ  
 Insulation Resistance:≥500MΩ  
 Dielectric Strength:500V AC/(50HZ)/Min  
 Mating And Unmating Force:3~20N  
 Durability:750 Cycles Min

**Material Specification**  
 Housing :Thermo-plastic, UL94V-0.  
 Contact :Alloy Copper  
 Shield :Alloy Copper  
 Please refer to the customer drawing when customer has specified



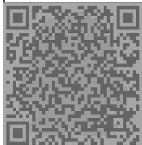
|    |    |                 |    |       |    |
|----|----|-----------------|----|-------|----|
| 3  | 外壳 | H62             | 1  | NI    |    |
| 2  | 插针 | PHOSPHOR BRONZE | 8  | FU*   |    |
| 1  | 塑座 | PA46            | 1  | BLACK |    |
| 序号 | 名称 | 材料              | 数量 | 镀层/颜色 | 备注 |

|                 |       |     |                     |         |        |
|-----------------|-------|-----|---------------------|---------|--------|
| 深圳市金航标电子有限公司    |       |     | www.kinghelm.com.cn |         |        |
| KH-RJ45-56-8P8C |       |     | 0755-28190160       |         |        |
| 一般公差            |       | 品名: | RCH-56-31(无灯无弹)     |         |        |
| 30~             | ±0.25 | 料号: |                     |         |        |
| 10~30           | ±0.20 | 型号: | RJ45                | 图号:     |        |
| ~10             | ±0.15 | 版本: | 单位:mm               | 比例: 1:1 | 纸张: A4 |
| 角度:             | ±2°   | 页面: | 1 of 1              |         |        |

**网络插座外形图**

|     |     |     |          |
|-----|-----|-----|----------|
| 绘图: | 吴素飞 | 日期: | 2022.4.6 |
| 审核: | 周清德 | 日期: |          |
| 核准: | 李生  | 日期: |          |

技术详询



改  
涂  
意  
随  
上  
面  
图  
在  
止  
禁

|     |       |      |    |    |  |
|-----|-------|------|----|----|--|
| A/0 | 新出版发行 |      |    |    |  |
| 版次  | 变更履历  | 变更单号 | 绘制 | 日期 |  |

1

2

3