

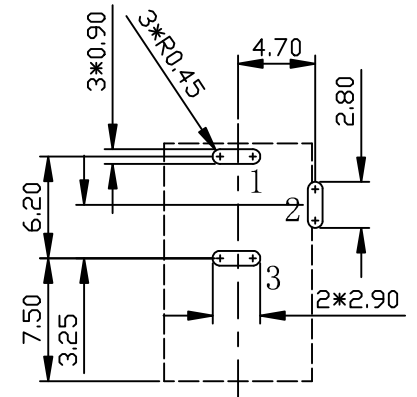
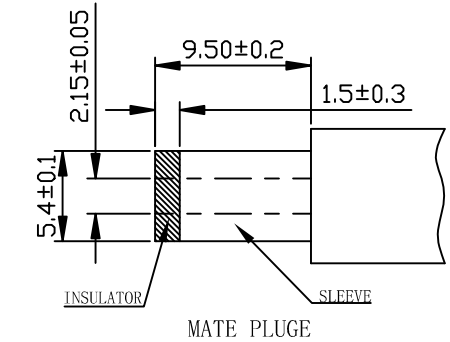
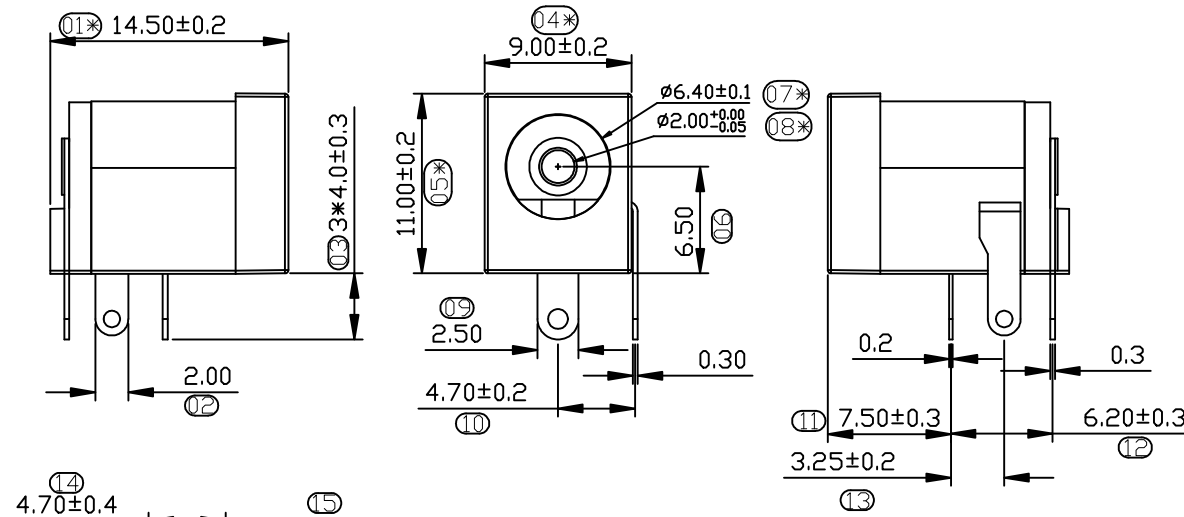
REV	ECN NO.	DESCRIPTION	DATE	DESIGN
A1.	/	重新核对图面	20.12.28	LiHui
A2.	/	重新核对图面	22.11.15	LZR

NOTES:

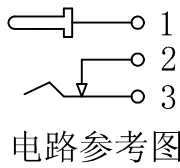
- MATERIAL:
 - HOUSING: PBT ,COLOR IS BLACK,UL94V-0;
 - CONTACT: BRASS ;
- FINISH: PLATED OVER NI&SN;
- RECIINBED PCB THICKNESS: 1.60mm MIN;
- ELECTRICAL:
 - VOLTAGE RATING: 30V DC ;
 - CURRENT RATING: 1A ;
 - CONTACT RESISTANCE: 35MILLIOHMS MAX.;
 - WITHSTAND VOLTAGE: 500 VAC RMS 50(60)Hz,1MIN.;
 - INSULATION RESISTANCE: 100MEGOHMS MIN @500V DC;
- MECHANICAL:
 - MATING FORCE: 25N MAX.;
 - UNMATING FORCE:3~25N ;
 - OPERATING LIFE: 5000 CYCLES MIN.;
- SALT SPRAY TEST: 24H;
- SOLDERABILITY: 245±5°C,5±0.5S;
- RESISTANCE TO SOLDER: 260±5°C,10±1S;
- ENVIRONMENTAL:
 - STORAGE TEMPERATURE RANGE: -40°C~+85°C;
 - OPERATION TEMPERATURE RANGE: -25°C~+70°C;
- THE MARK WITH "*" IS THE KEY INSPECTION DIMENSION FOR QC.

E	芯针	黄铜H62	镀镍锡	
D	PIN脚	黄铜H65	镀镍锡	
C	弹片	SUS304	镀镍锡	
B	后塞	PBT	黑色	
A	基座	PBT	黑色	
序号	品名	材质	电镀/颜色	备注

深圳市金航标电子有限公司		www.kinghelm.com.cn		
KH-DC1009-NW		0755-28190160		
UNLESS OTHERWISE GENERAL TOLERANCE:	NAME:	DC-005(φ2.0铜芯)		P/N:
X.xxx ±0.10				
X.xx ±0.20				
X.x ±0.30				
ANGULAR:	THIRD ANGLE PROJECTION	UNIT:	SCALE:	SIZE:
X.xx° ±1°		mm	1:1	A4
X.x° ±3°				SHEET: 1/1
X° ±5°				REV.: A1
	DRAWN:	CHECKED:	APPROVED	



RECOMMENDED PCB LAYOUT
TOP VIEW(TOL:±0.05)



PART NO:
09.05.01.XXX

001:製
002:裝