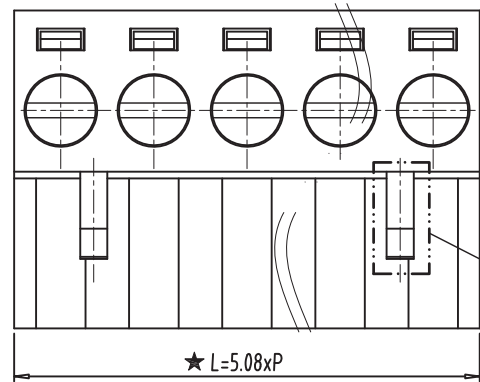
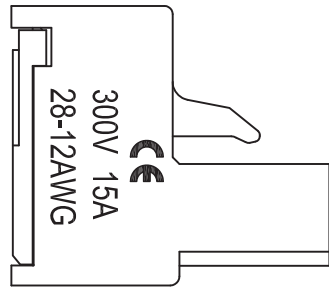


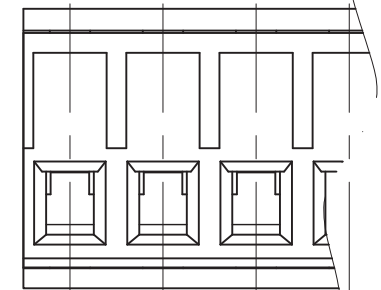
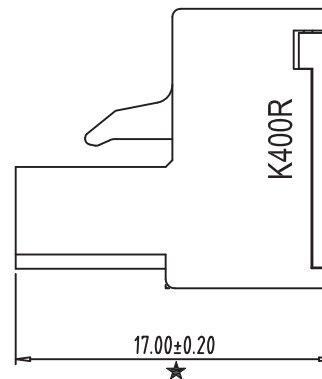
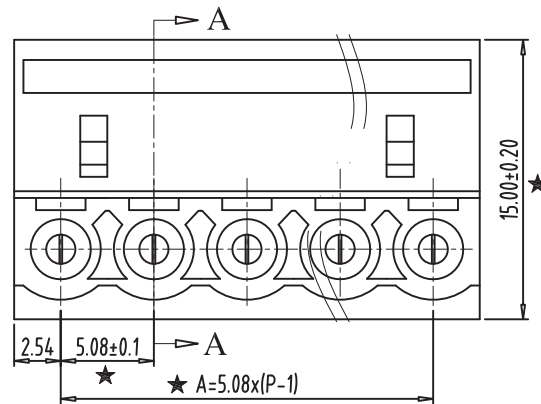
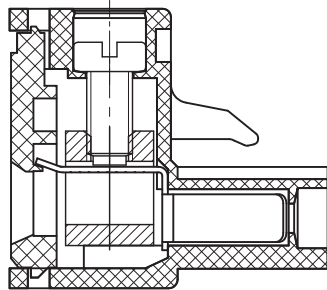
Kinghelm®



02P仅此卡勾

NOTES:

1. Rating:300V 15A;
2. Insulation Withstands Voltage: AC2000V/MIN
3. Insulation Resistance: 500MΩ or more at DC500V
4. Using Temperature Range: -40° C/+105° C
5. Screw Torque Vlaue:0.4N.m
6. Suitable Electric Wire: 28~12AWG
7. "★" is the important dimension.



| Total Pitch Tolerances in mm | | | | | | | | | | Nominal dimension range in mm | | | | | | | | | | ⊥ | ≡ | - | // |
|------------------------------|---------------|---------------|---------------|----------------|-----------------|-----------------|-----------------|-----------------|------------------|-------------------------------|---------------|---------------|---------------|----------------|-----------------|-----------------|-----------------|-----------------|------------------|----------------|-----------------|-----------------|-----|
| over 0 to 30 | over 30 to 53 | over 53 to 70 | over 70 to 90 | over 90 to 115 | over 115 to 150 | over 150 to 250 | over 250 to 350 | over 350 to 500 | over 500 to 1000 | over 0 to 30 | over 30 to 53 | over 53 to 70 | over 70 to 90 | over 90 to 115 | over 115 to 150 | over 150 to 200 | over 200 to 250 | over 250 to 320 | over 320 to 1000 | over 10 to 100 | over 100 to 150 | over 150 to 150 | |
| ±0.18 | ? 0.20 | ±0.25 | ±0.3 | ±0.35 | ? 0.44 | ±0.60 | ±0.70 | ? 0.85 | ±0.20 | ±0.25 | ±0.30 | ±0.35 | ±0.44 | ±0.55 | ±0.70 | ±0.80 | ±0.90 | 0.2 | 0.3 | 0.3 | 0.2 | 0.3 | 0.5 |

| ITEM | NAME OF PART | NO. OF PART | Q'TY | MATERIAL | NOTE |
|------|----------------------|---------------------|--------|-------------|--------------|
| DWG. | DATE | 2020/04/21 | SIZE | A4 UNITS mm | SHEET/OF 1/1 |
| CHK. | DATE | | SCALE | 2.5:1 | 2EDG-5.08 |
| APP. | DATE | | NAME | | |
| | 深圳市金航标电子有限公司 | www.kinghelm.com.cn | | | |
| | KH-ZBK400R-5P-5.08GS | 0755-28190160 | DWGNO. | | |