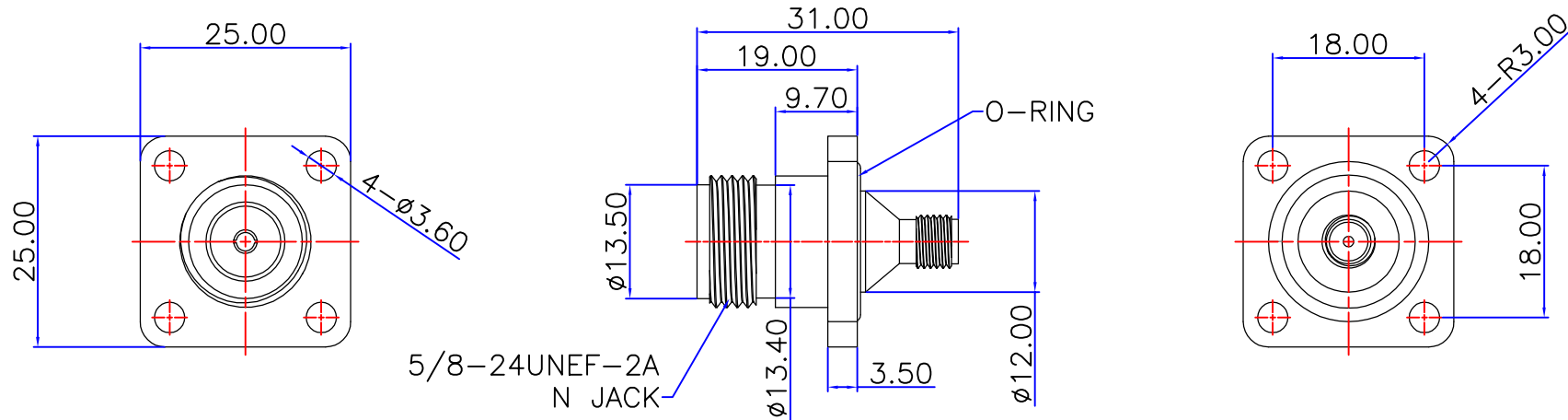


# Kinghelm®

PRODUCT NO:		818-2027		
REV	DESCRIPTION	DWN	DATE	APPROVEN
A	FIRST ISSUE	赖积任	2019/10/18	ohn kine
B				



### SPECIFICATIONS:

IMPEDANCE: 50 ohms  
 FREQUENCY RANGE: 0~11GHZ  
 VSWR: 1.5MAX  
 WORKING VOLTAGE: 750V RMS@SEA LEVEL  
 INSULATION RESISTANCE: 5000 ohms min  
 TEMPERATURE RANGE: -65°C TO +165°C  
 RELATIVE TEMPERATURE: ≤ 95%(40°C±2°C)

1	BODY	BRASS	NICKEL	1
2	INSULATOR	TEFION	WHITE	1
3	CONTACT PIN	PHOSPHOR BRONZE	GOLD	1
4	O-RING	BUBBER	RED	1
5				
6				
7				
8				
9				
10				
NO	COMPONENT NUMBER	MATERIAL	FINISH	QTY
A		B		

NOTE:	
DRAWN	019/10/18
CHECKED	
APPROVALS	
C	

TOIERANCE	UNLESS OTHER WISPECIFIED TOLERANCES IN INCHES ARE
	0.5-8MM±0.020MM
	8-30MM±0.40MM
	30-120MM±0.50MM
VIEW	
UNIT	MM
SCALE	1 : 1
D	

深圳市金航标电子有限公司		WWW.BDS666.COM	
KH-N-SMA-Z		0755-83044319	
NAME: N JACK TO SMA JACK CONNECTOR			
SIZE A	PRODUCT NO:	SIZE A	
DATETIME	CAD FILE	SHEET: 1 OF 1	
2019/10/18	D/companydrawings/BD		
E	F	G	