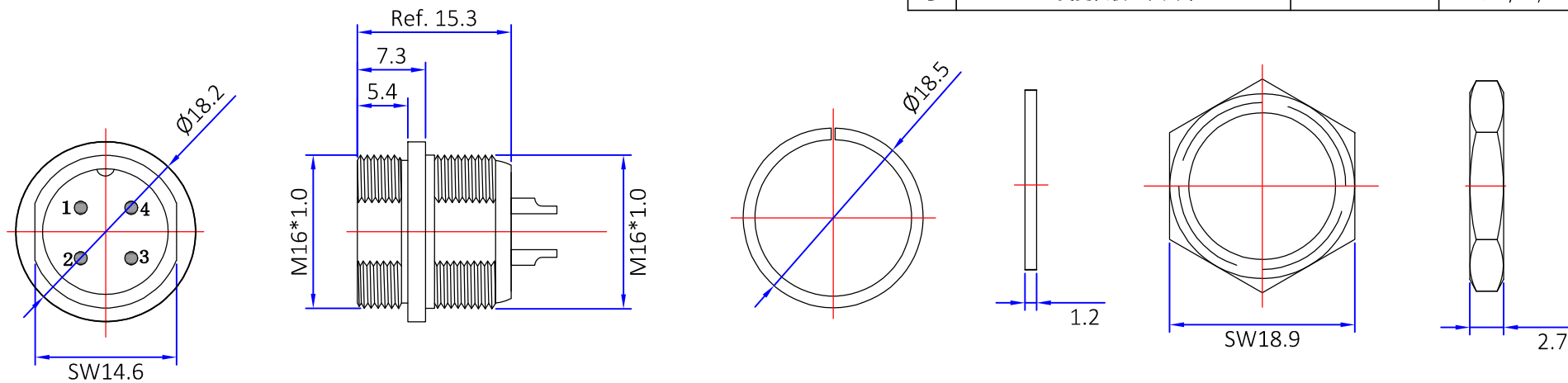




版本	描述	变更编号	日期
A	首次发行	---	2023/05/11
B	变更挡板直径尺寸	---	2024/04/10

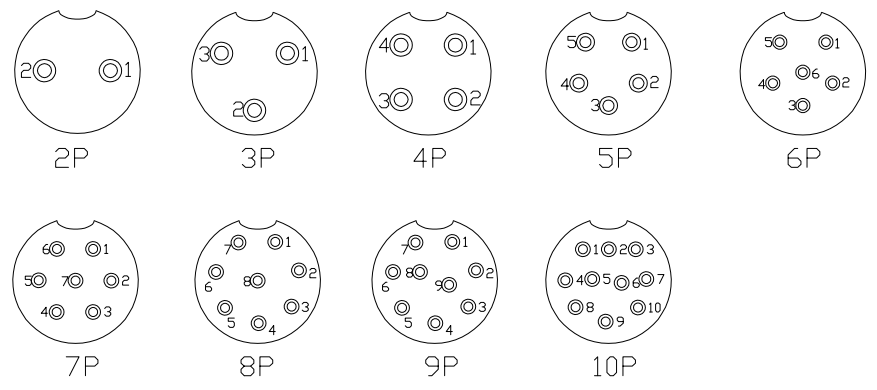
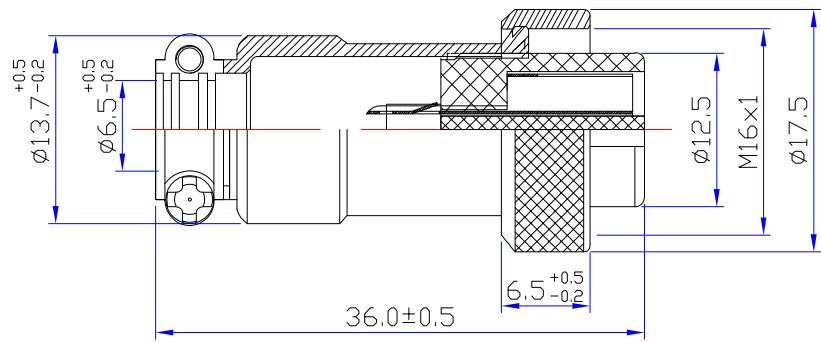


芯数	2芯	3芯	4芯	5芯	6芯	7芯	8芯	9芯	10芯
额定电流	10A	7A	7A	7A	5A	5A	5A	5A	5A
额定电压	220V	220V	125V	125V	125V	125V	125V	125V	125V
耐电压 AC.V	1500	1500	1500	1000	1000	1000	1000	1000	1000
绝缘阻抗MΩ	1500	1500	1500	1000	1000	1000	1000	1000	1000

The View		深圳市金航标电子有限公司 SHENZHEN KINGHELM ELECTRON CO.,LTD.		www.kinghelm.com.cn 0755-28190160	
单位 Unit	mm	比例 Scale	1:1		
料号 Part Number		KH-GX16-xP		产品名称 Product name	
文件保密 File security This drawing shall not be copied, circulated or used for other purposes without permission. 本图纸未经允许，不可复制、外传或它用		未注公差 Unmarked tolerance 零部件 Parts X. ±0.30 X.X ±0.20 X.XX ±0.10 角度 angle ±3°		绘图 Draw drawing FuLiu	
				审核 Check 客户确认 Customer confirmation	

E	D	C	B	A	No.
垫圈	胶芯	Pin针	六角	外壳	规格/描述
铁	电木	铜合金	锌合金	锌合金	材质
镀镍	黑色	镀银/镀镍	镀镍	镀镍	外观处理
1PCS	1PCS	见表格	1PCS	1PCS	数量/单位

REV	DESCRIPTION	DWN	DATE	APPROVEN
A	FIRST ISSUE	XIEFENG	2022/06/15	Mr.chen



Material and specifications

- Coupling Threaded coupling
- Shell material Zinc alloy with Nickel Plate
- Insert material bakelite
- Contact material copper Silver Plate/Nickel
- Termination Solder
- Mating cycle 500
- Cable diameter -20℃ +85℃

Technology parameter									
NO. of contacts	2	3	4	5	6	7	8	9	10
Rated current (A)	7	7	7	7	5	5	5	5	5
Operation limit voltage(AC.V.rms)	220	220	125	125	125	125	125	125	125
Withstanding voltage(AC.V.rms) 1 minute	1500	1500	1500	1500	1500	1500	1500	1500	1500
Insulation resistance(mΩ)	2000	2000	2000	2000	2000	2000	2000	2000	2000
Contact resistance (mΩ)	3	3	3	4	5	5	4	5	5
Solder cup mouth aperture	φ1.4	φ1.4	φ1.4	φ1.2	φ0.8	φ0.8	φ0.8	φ0.8	φ0.8
Solder inter diameter	φ2.5	φ2.5	φ2.5	φ2.0	φ1.2	φ1.2	φ1.2	φ1.2	φ1.2

NOTE:		Tolerance	UNLESS OTHERWISE SPECIFIED TOLERANCES FOR DIMENSIONS ARE 0.5-8MM±0.10MM 8-30MM±0.15MM 30-120MM±0.20MM	深圳市金航标电子有限公司		www.kinghelm.com.cn	
DRAWN: XIEFENG	DATE: 22/06/15			SHENZHEN KINGHELM ELECTRON CO.,LTD.		0755-28190160	
CHECKED:		VIEW		Name: GX16 FEMALE CONNECTOR			
APPROVALS:		UNIT	MM	Product NO. KH-GX16-xP			REV A
		SCALE	1 : 1	CAD FILE H/companydrawings/BD			SHEET: 1 OF 1