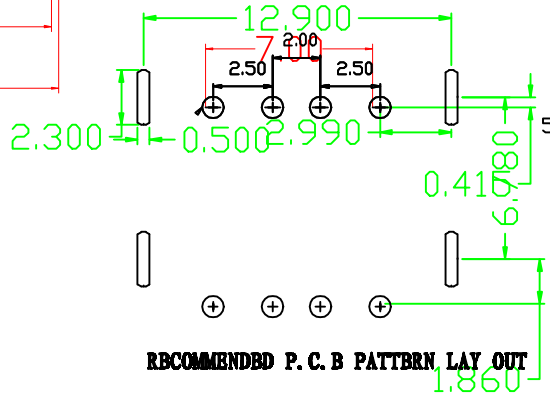
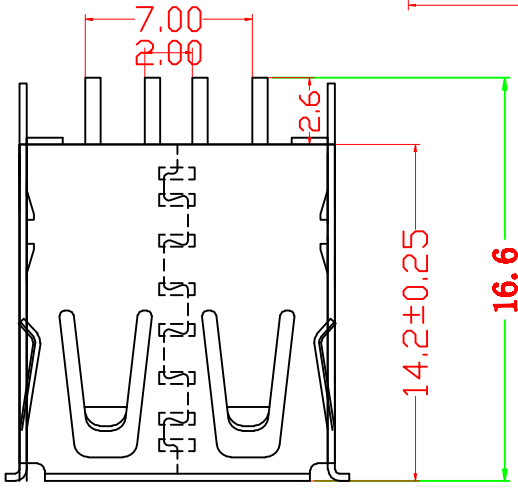
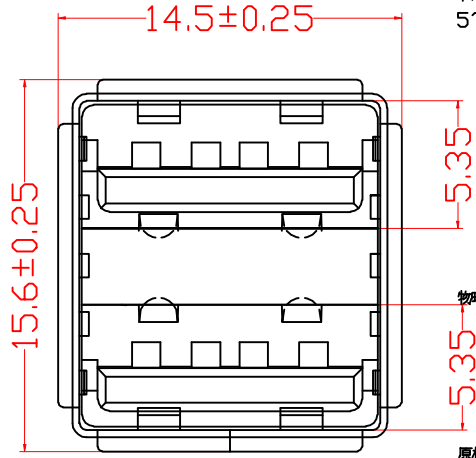
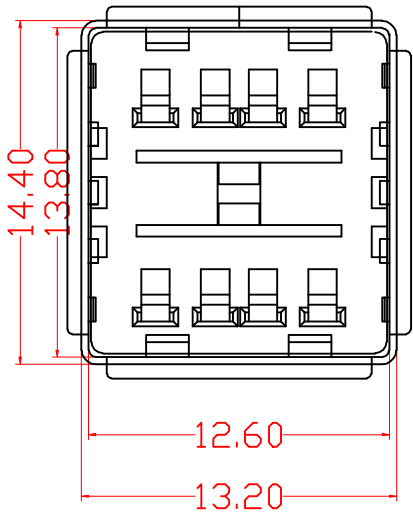
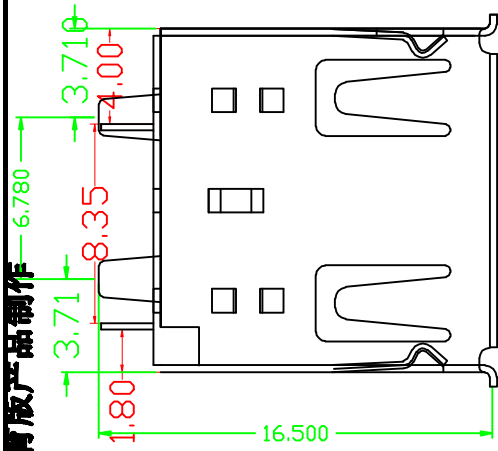


Kinghelm®

# 卷边四脚



- 规格说明 Specifications:
5. 特性 Electrical:
1. 额定电流: Current Rating  
1.5A/contact terminal
  2. 额定电压: Voltage Rating  
30V DC
  3. 接触电阻: Contact Resistance  
30 milliohms MAX
  4. 介电耐压: Dielectric Withstanding Voltage:  
500 V AC AT Sea Level
  5. 绝缘电阻: Insulation Resistance:  
1000MEGA ohms MIN
- 物理性能 Mechanical:
1. 插拔力: Connector Mate and Unmate Force  
Mate force: 3.57kgf (MAX)  
Unmate force: 1.02kgf (MIN)
  2. 端子保持力: Terminal Retention  
1.0kgf (MIN)
- 原材料 Material:
1. 壳: Housing:  
Hing Temperature Thermoplastics  
PBT White/Black
  2. 端子: Contact: Copper Alloy C2680
  3. 外壳: Shell: Copper Alloy C2680/SPCC
5. 表面处理 Finish:
1. 端子接触: Plated Gold in Mating Area  
Tin On Solder Tails
  2. 外壳: Nickel Plating

由 Autodesk 教育版产品制作

由 Autodesk 教育版产品制作

深圳市金航标电子有限公司	www.kinghelm.com.cn
KH-2AF1804ZJ-14.2JB	0755-28190160

UNLESS OTHERWISE SPECIFIED TOLERANCE .X ±0.20 .XX ±0.15 .XXX ±0.10 ANG. ±2°	RECOMMENDED P. C. B PATTERN LAY OUT DRAWN H.Q.huocyy		TITLE USB A/F 双层直插 14.2 卷边四脚		
	APPROVED		UNIT MM	PART NO.	REV. A
	DATE 2011.03.18	SCALE 3/1	SIZE A4	DOC. NO.	