

### Features

- Frequency range : 3.2MHz to 90MHz
- Resistance welded, metal can SMD type
- External dimensions (mm)  
L : 12.7 x W : 4.8 x H : 3.8
- RoHS compliant & Pb free

### Applications

- TV, STB, Cable modem
- Microprocessor
- Computer peripherals
- Home electronics
- Consumer products

### Electrical Characteristics

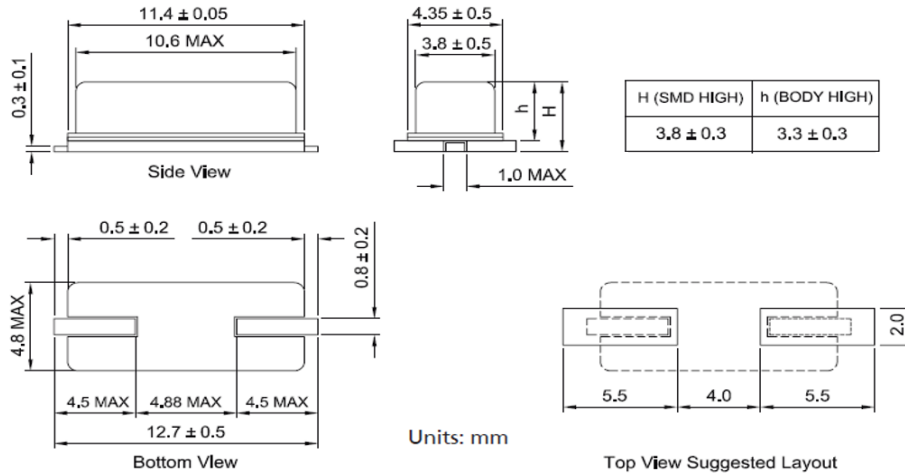
Item		QT49S	Conditions
Frequency Range	$F_0$	3.2MHz ~ 90MHz	
Frequency Tolerance	$F_{tol}$	$\pm 50\text{ppm}$ , $\pm 30\text{ppm}$ , $\pm 20\text{ppm}$ , $\pm 10\text{ppm}$	at 25°C
Frequency Stability over Operating Temperature Range (refer to 25°C)	$F_{stab}$	$\pm 50\text{ ppm}$	-20°C ~ +70°C
		$\pm 30\text{ ppm}$	
		$\pm 20\text{ ppm}$	
		$\pm 10\text{ ppm}$	-40°C ~ +85°C
		$\pm 30\text{ ppm}$	
$\pm 20\text{ ppm}$			
Operating Temperature Range	$T_{OTR}$	-20°C ~ +70°C -40°C ~ +85°C	
Shunt Capacitance	$C_0$	7pF Max.	
Drive Level	$D_L$	1 ~ 500 $\mu$ W (100 $\mu$ W Typ.)	
Load Capacitance	$C_L$	12pF, 16pF, 18pF, 20pF	
Aging	$F_{aging}$	$\pm 5\text{ ppm Max.}$	at 25°C $\pm$ 3°C, first year
Storage Temperature Range	$T_{STR}$	-55°C ~ +125°C	

### Motional Resistance (ESR)

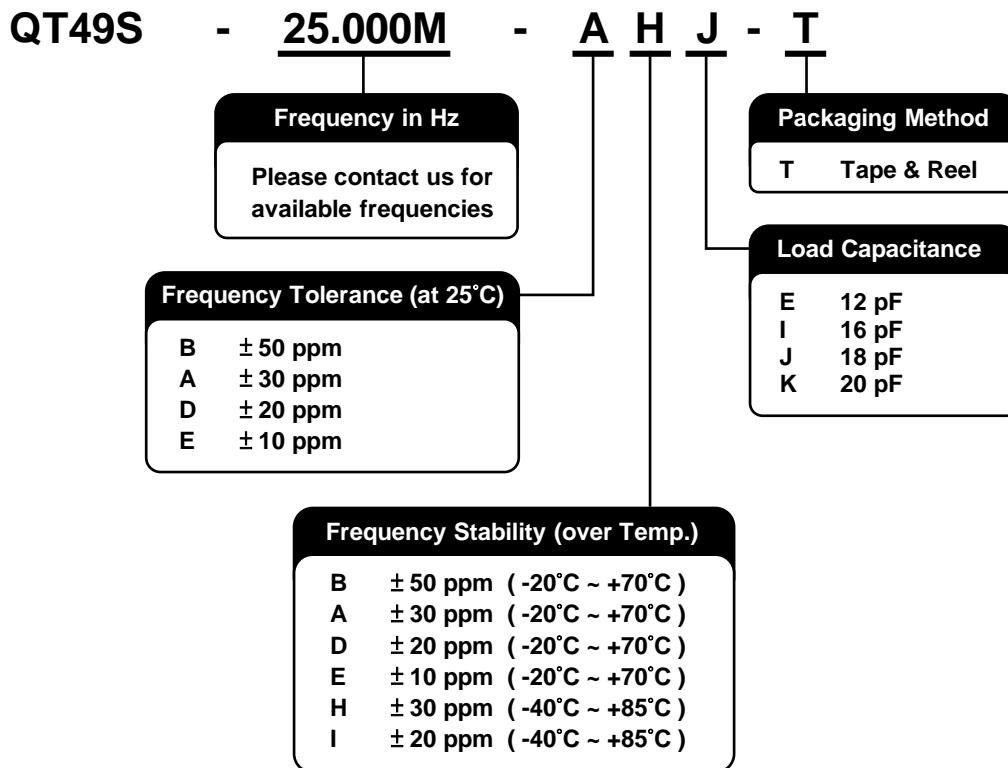
Fundamental	
3.2 ~ 3.686 MHz	200 $\Omega$ Max.
3.686 ~ 5 MHz	150 $\Omega$ Max.
5 ~ 10 MHz	80 $\Omega$ Max.
10 ~ 14 MHz	40 $\Omega$ Max.
14 ~ 30 MHz	30 $\Omega$ Max.

3rd Overtone	
27 ~ 30 MHz	100 $\Omega$ Max.
30 ~ 50 MHz	80 $\Omega$ Max.
50 ~ 90 MHz	60 $\Omega$ Max.

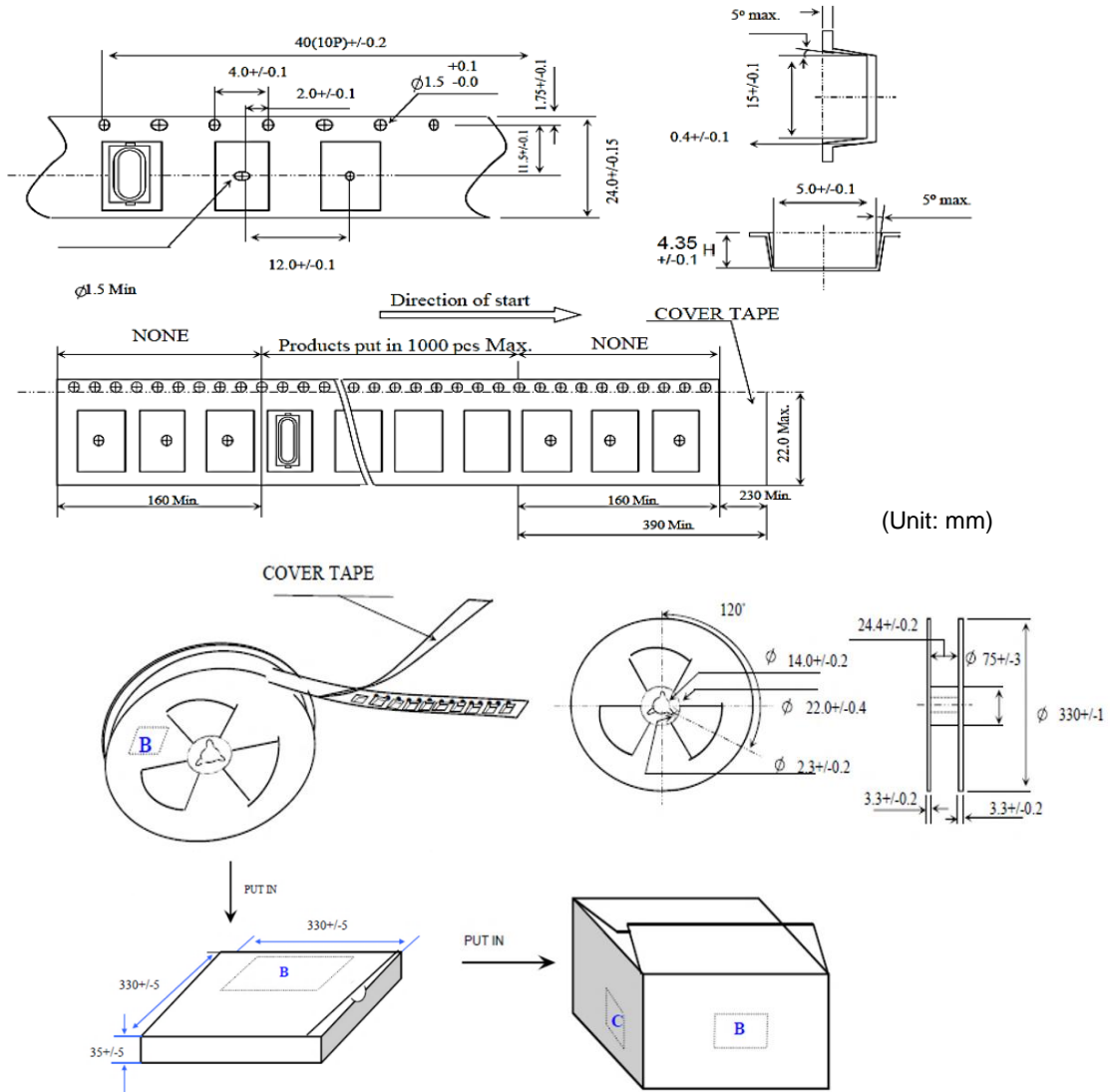
### Dimensions



### Ordering Information



### Packing



### Reflow Profile

Solder melting point :  $220^\circ\text{C} \pm 10^\circ\text{C}$ , 60 sec. Min.

Peak temperature :  $260^\circ\text{C} \pm 5^\circ\text{C}$ , 10 sec. Min.

