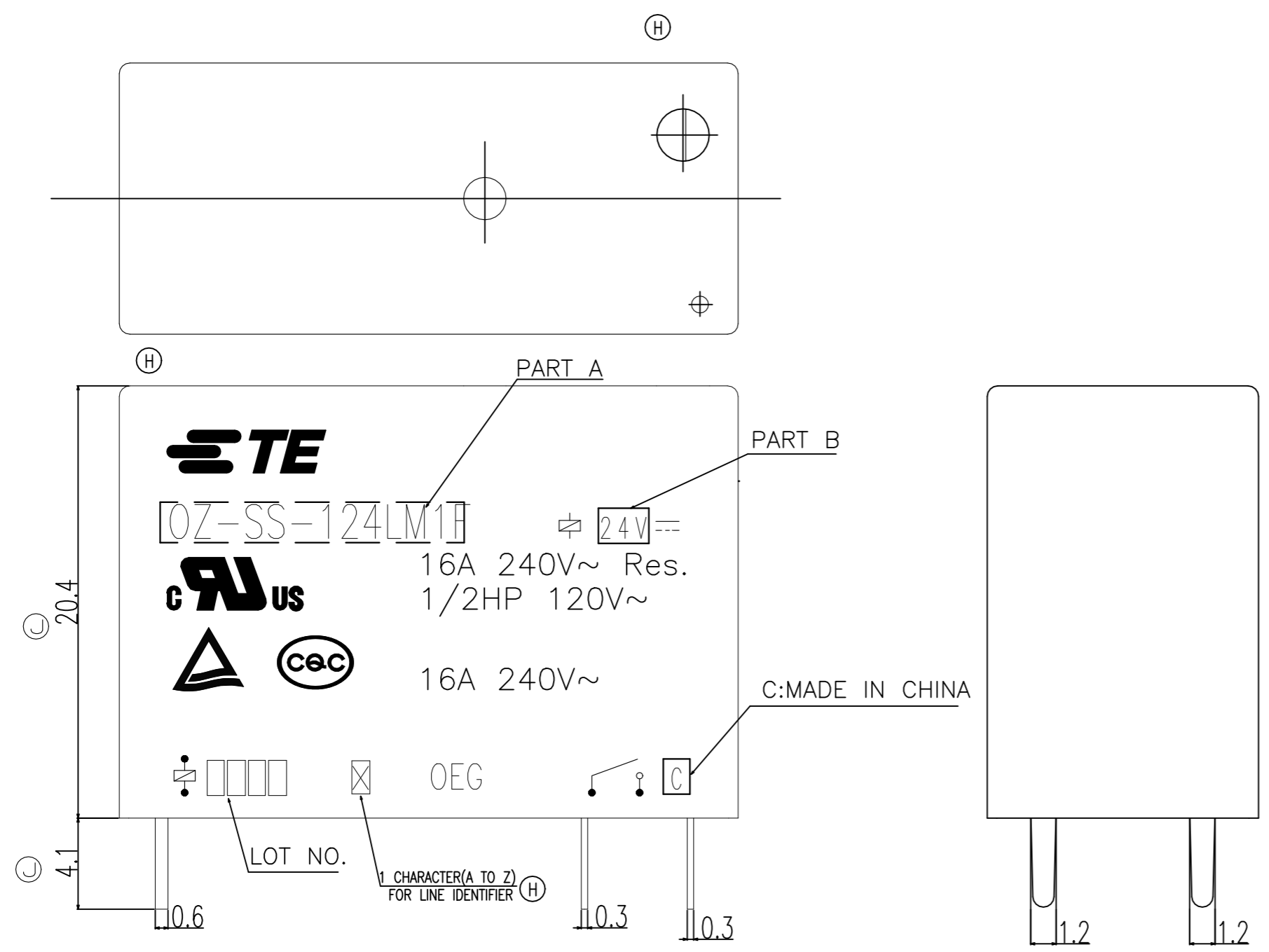


THIS DRAWING IS UNPUBLISHED. RELEASED FOR PUBLICATION
 © COPYRIGHT - By TE Connectivity ALL RIGHTS RESERVED.

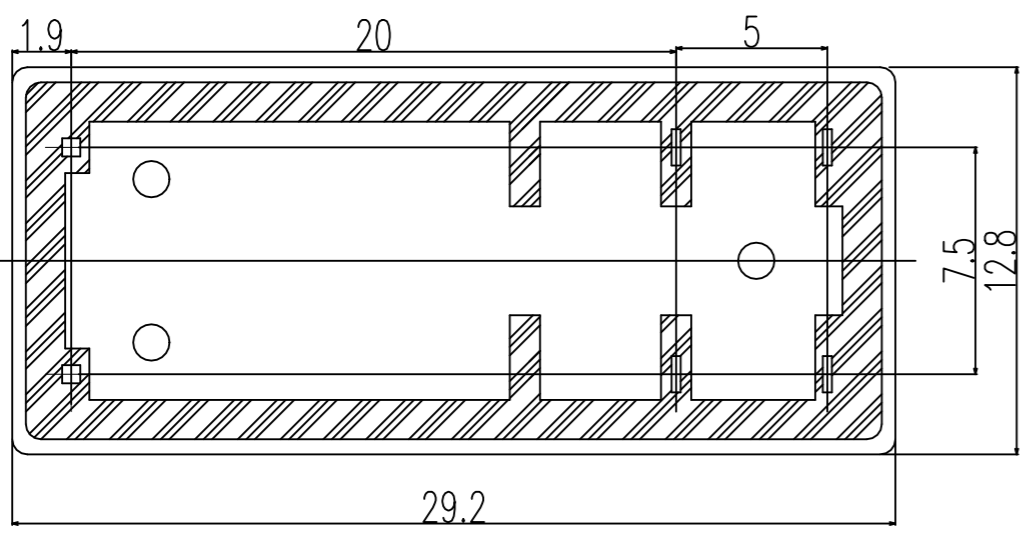
REVISIONS				
P	LTR	DESCRIPTION	DATE	APVD
J		DIMENSION CHANGE	ECO-21-004260 10-JUN-21	XR.L K.T



L TYPE:

H1	H1	H2	H1	H1
1-2071269-2	OZ-SS-112LM1F	12V	OZ-SS-112LM1F	h
1461868-7	OZ-SS-109LM1F	9V	OZ-SS-109LM1F	g
1461868-5	OZ-SS-112LM1F	12V	OZ-SS-112LM1F	e
1461868-8	OZ-SH-105LM1F	5V	OZ-SH-105LM1F	d
1461868-3	OZ-SH-124LM1F	24V	OZ-SH-124LM1F	c
1461868-2	OZ-SS-124LM1F	24V	OZ-SS-124LM1F	b
1461868-1	OZ-SH-112LM1F	12V	OZ-SH-112LM1F	a
PART NO	DESCRIPTION	PART B	PART A	ITEM

RELAY TYPE



THIS DRAWING IS A CONTROLLED DOCUMENT.		DWN LIU.XIANGREN 09APR2012	TE Connectivity	
DIMENSIONS: mm		CHK CHEN.TIMOTHY		
TOLERANCES UNLESS OTHERWISE SPECIFIED:		APVD ZHANG.SUNNY	NAME	
0 PLC ± - 1 PLC ± - 2 PLC ± - 3 PLC ± - 4 PLC ± - ANGLES ± -		PRODUCT SPEC	OZ CUSTOMER DRAWING	
MATERIAL		APPLICATION SPEC	SIZE	RESTRICTED TO
FINISH		WEIGHT	CAGE CODE	DRAWING NO
		CUSTOMER DRAWING	A3 00779	G-1461868
		SCALE	SHEET	REV
		4:1	1 of 4	J

THIS DRAWING IS UNPUBLISHED.

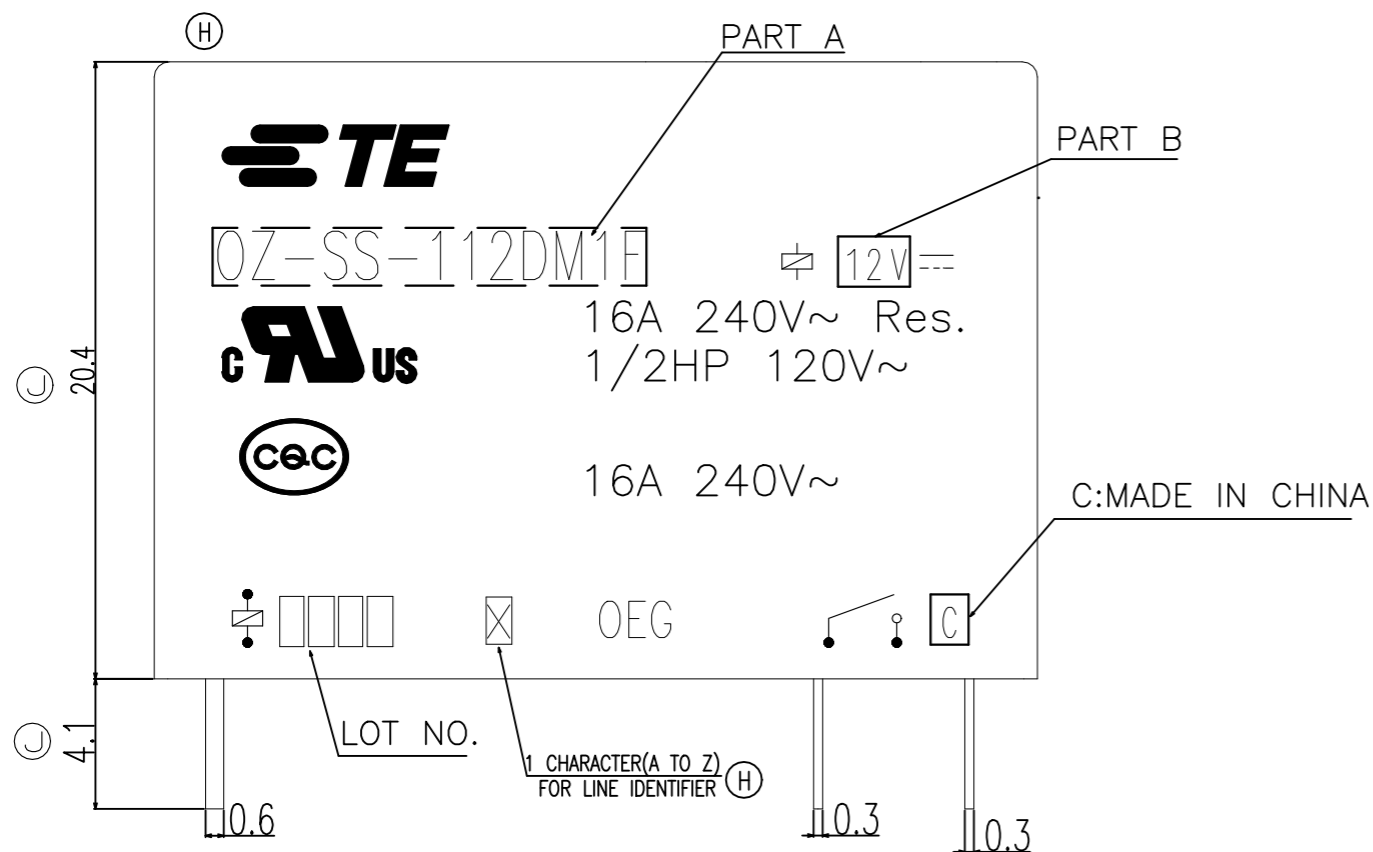
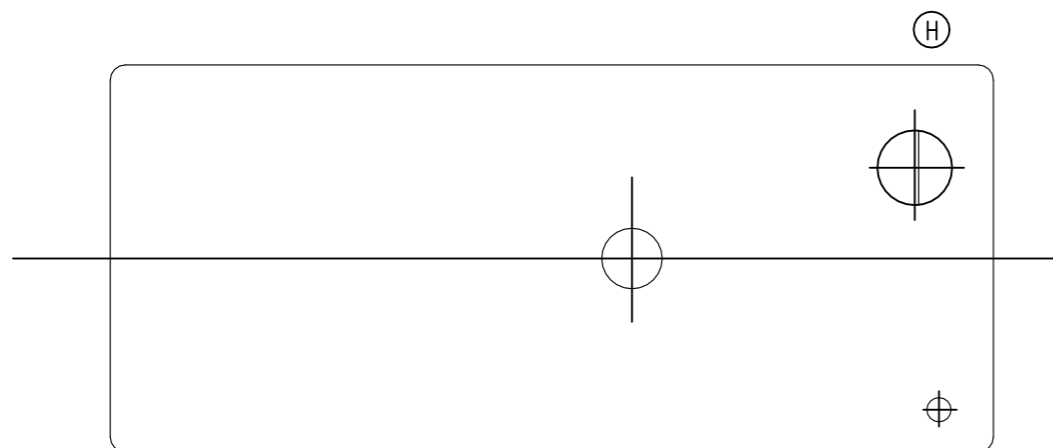
RELEASED FOR PUBLICATION

© COPYRIGHT - By TE Connectivity

ALL RIGHTS RESERVED.

REVISIONS

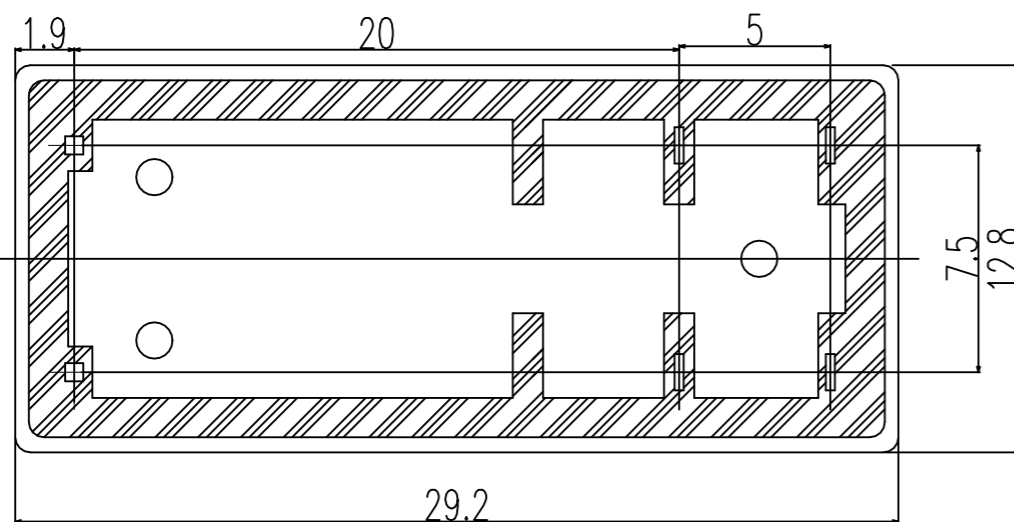
P	LTR	DESCRIPTION	DATE	DWN	APVD
-	-	SEE SHEET 1	-	-	-



D TYPE:

1461868-6	OZ-SS-112DM1F	12V	OZ-SS-112DM1F	f
PART NO	DESCRIPTION	PART B	PART A	ITEM

RELAY TYPE



THIS DRAWING IS A CONTROLLED DOCUMENT.

DWN LIU.XIANGREN 09APR2012

CHK CEHN.TIMOTHY

APVD ZHANG.SUNNY - NAME

PRODUCT SPEC

APPLICATION SPEC

WEIGHT 0

CUSTOMER DRAWING

TE Connectivity

OZ CUSTOMER DRAWING

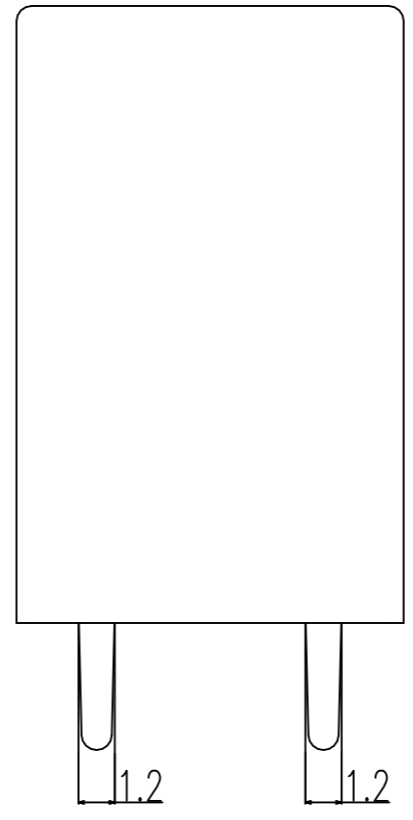
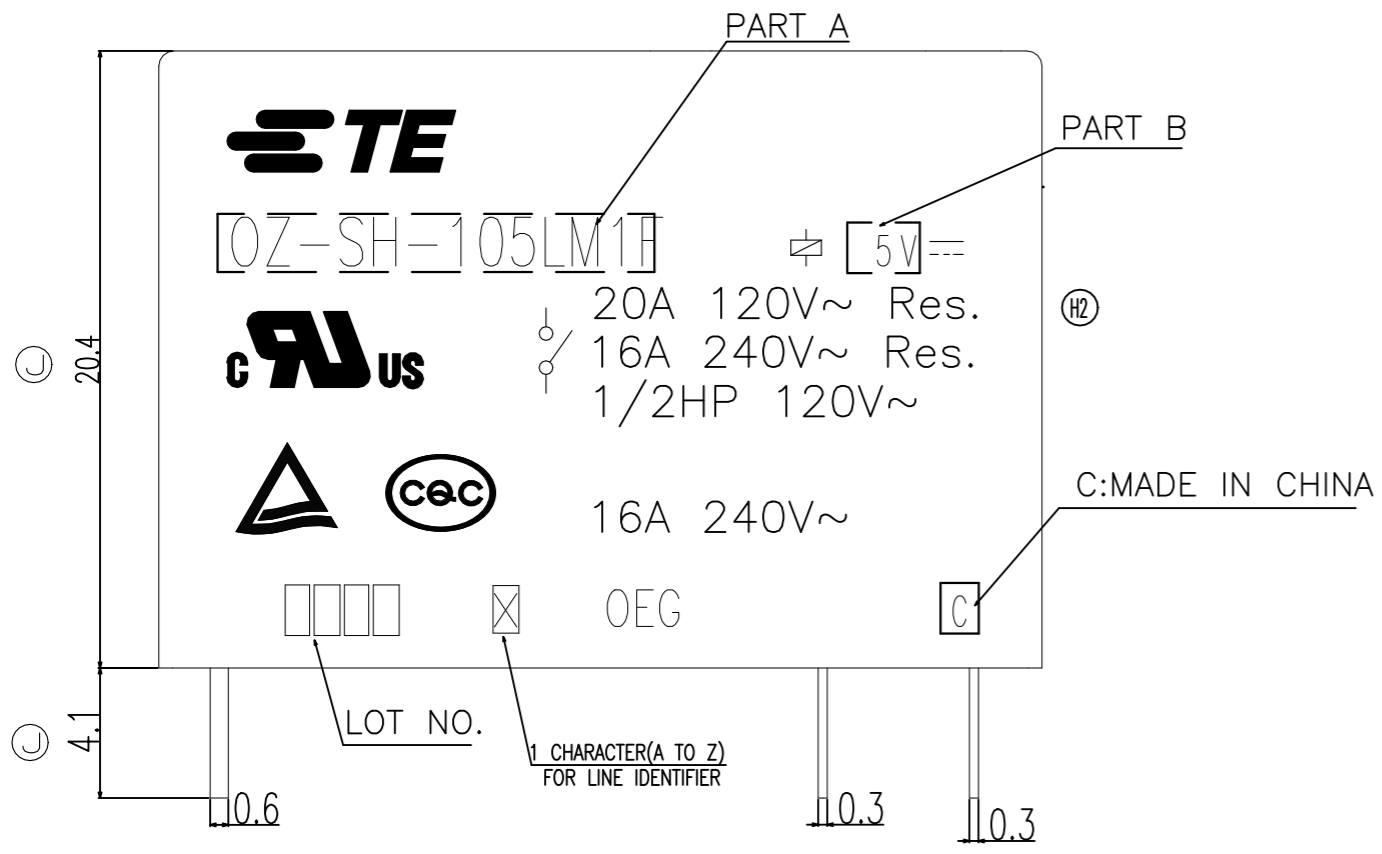
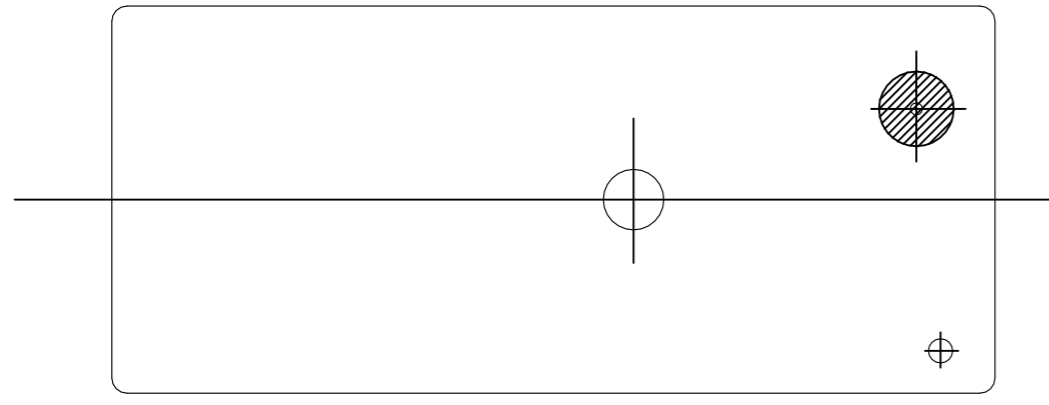
SIZE	CAGE CODE	DRAWING NO	RESTRICTED TO
A3	00779	C-1461868	-

DIMENSIONS:	TOLERANCES UNLESS OTHERWISE SPECIFIED:
mm	0 PLC ± -
	1 PLC ± -
	2 PLC ± -
	3 PLC ± -
	4 PLC ± -
	ANGLES ± -
MATERIAL	FINISH
-	-

SCALE 4:1 SHEET 2 OF 4 REV J

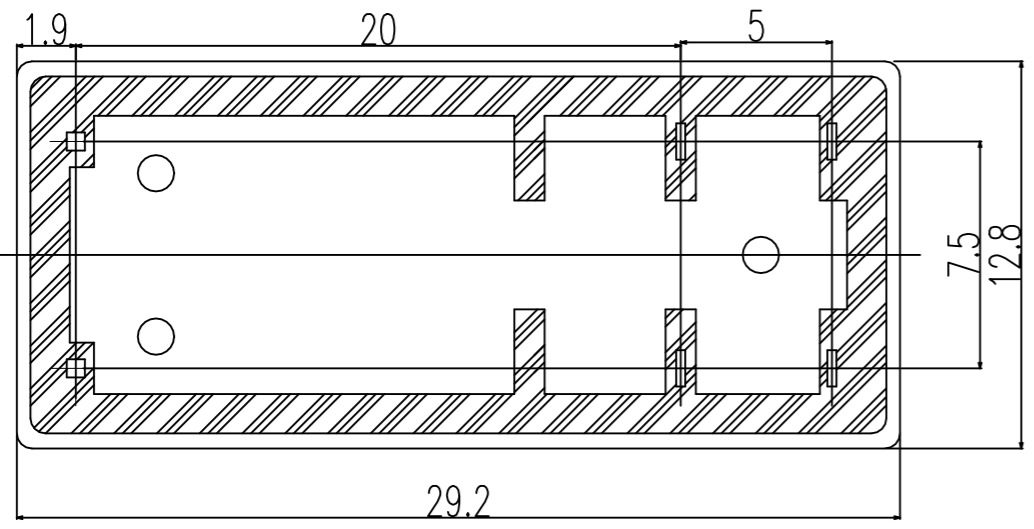
THIS DRAWING IS UNPUBLISHED. RELEASED FOR PUBLICATION
 © COPYRIGHT - By TE Connectivity ALL RIGHTS RESERVED.

REVISIONS				
P	LTR	DESCRIPTION	DATE	APVD
-	-	SEE SHEET 1	-	-



PART NO	DESCRIPTION	PART B	PART A	ITEM
1461868-8	OZ-SH-105LM1F	5V	OZ-SH-105LM1F	d

RELAY TYPE



THIS DRAWING IS A CONTROLLED DOCUMENT.		DWN LIU.XIANGREN 09APR2012	TE TE Connectivity	
DIMENSIONS: mm		CHK CHEN.TIMOTHY		
TOLERANCES UNLESS OTHERWISE SPECIFIED:		APVD ZHANG.SUNNY	NAME	
0 PLC ± -		PRODUCT SPEC	OZ CUSTOMER DRAWING	
1 PLC ± -		APPLICATION SPEC	RESTRICTED TO	
2 PLC ± -		WEIGHT	SIZE	CAGE CODE
3 PLC ± -		0.000000	A3	00779
4 PLC ± -		DRAWING NO		1461868
ANGLES ± -		CUSTOMER DRAWING		SCALE
FINISH		SHEET		3 OF 4
-		REV		J

THIS DRAWING IS UNPUBLISHED.

RELEASED FOR PUBLICATION

© COPYRIGHT - By TE Connectivity

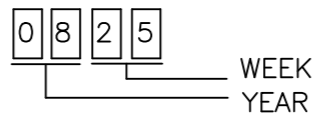
ALL RIGHTS RESERVED.

REVISIONS

P	LTR	DESCRIPTION	DATE	DWN	APVD
-	-	SEE SHEET 1	-	-	-

NOTES:

1.LOT NO. SYSTEM AS FOLLOWING:



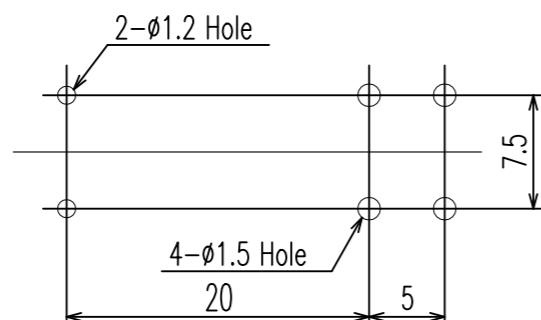
2.GENERAL TOLERANCE AS FOLLOWING:

TOLERANCE	
0~0.99mm	±0.1
1mm~2.99mm	±0.2
3mm MIN.	±0.3

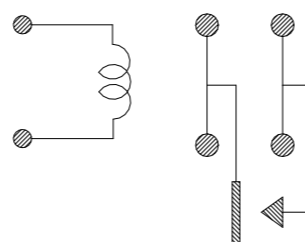
3.TERMINAL DIMENSION IS NOT INCLUDING SOLDER TIP.

- ④ 4.FOR THE TIN-PLATING OF THE PINS:
+0.1mm FOR WIDTH,THICKNESS AND DIAMETER.
+0.5mm FOR LENGTH.

CIRCUIT DIAGRAM(2/1)
(BOTTOM VIEW)

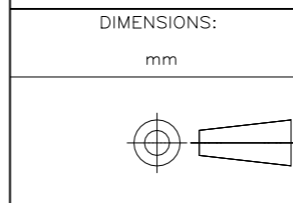


DRILLING DIAGRAM
(BOTTOM VIEW)



		EPOXY RESIN	SEAL	15
		Cu ALLOY	HINGE SPRING	14
		PBT	CASE	13
		MW79	MAGNETIC WIRE	12
UL94V-0		PET	BASE	11
UL94V-0		PA66 NYLON(CLASS F)	BOBBIN	10
	SOLDER DIP	Cu ALLOY	COIL TERMINAL	9
UL94V-0		PPS	CARD	8
		Ag ALLOY	MOVABLE CONTACT	7
		Ag ALLOY	STATIONARY CONTACT	6
	SOLDER DIP	Cu ALLOY	MOVABLE SPRING	5
	SOLDER DIP	Cu ALLOY	NO-TERMINAL	4
	Ni PLATED	STEEL	CORE	3
	Ni PLATED	STEEL	ARMATURE	2
	Ni PLATED	STEEL	YOKE	1
INCOMBUSTIBILITY	TREATMENT	MATERIAL	DESCRIPTION	ITEM

THIS DRAWING IS A CONTROLLED DOCUMENT.



DIMENSIONS:	TOLERANCES UNLESS OTHERWISE SPECIFIED:
mm	
0 PLC	± -
1 PLC	± -
2 PLC	± -
3 PLC	± -
4 PLC	± -
ANGLES	± -
MATERIAL	FINISH
-	-

DWN	LIU.XIANGREN	09APR2012
CHK	CHEN.TIMOTHY	
APVD	ZHANG.SUNNY	-
PRODUCT SPEC		
APPLICATION SPEC		
WEIGHT	0	
CUSTOMER DRAWING		



OZ CUSTOMER DRAWING

SIZE	CAGE CODE	DRAWING NO	RESTRICTED TO
A3	00779	C-1461868	-
SCALE		4:1	
SHEET		4 OF 4	
REV		J	