



Relays & Contactors > Relays > High Voltage Relays



Contact Voltage Rating: **28 – 1800 VDC**

Contact Arrangement: **1 Form A, SPST-NO**

High Voltage Connection (Coil): **Flying Leads**

High Voltage Connection (Power): **Stud Terminals**

Power Switching: **Yes**

## Features

### Product Type Features

RF Rated	No
----------	----

### Configuration Features

Power Switching	Yes
-----------------	-----

### Electrical Characteristics

Contact Voltage Rating	28 – 1800 VDC
Coil Voltage (Max)	320 VDC

### Contact Features

Contact Base Material	Copper
Contact Arrangement	1 Form A, SPST-NO
Contact Current Rating (Max)	600 A

### Termination Features

High Voltage Connection (Coil)	Flying Leads
High Voltage Connection (Power)	Stud Terminals
Termination Style	Stud Terminals

### Mechanical Attachment

High Voltage Relay Mounting Type	Bottom
----------------------------------	--------

## Product Compliance



[For compliance documentation, visit the product page on TE.com>](#)

EU RoHS Directive 2011/65/EU	Not Compliant
EU ELV Directive 2000/53/EC	Not Compliant
China RoHS 2 Directive MIIT Order No 32, 2016	Restricted Materials Above Threshold
EU REACH Regulation (EC) No. 1907/2006	Current ECHA Candidate List: JUNE 2023 (235) Candidate List Declared Against: JAN 2022 (223) SVHC > Threshold: Not Yet Reviewed
Halogen Content	Low Halogen - Br, Cl, F, I < 900 ppm per homogenous material. Also BFR/CFR/PVC Free
Solder Process Capability	Not applicable for solder process capability

Product Compliance Disclaimer

This information is provided based on reasonable inquiry of our suppliers and represents our current actual knowledge based on the information they provided. This information is subject to change. The part numbers that TE has identified as EU RoHS compliant have a maximum concentration of 0.1% by weight in homogenous materials for lead, hexavalent chromium, mercury, PBB, PBDE, DBP, BBP, DEHP, DIBP, and 0.01% for cadmium, or qualify for an exemption to these limits as defined in the Annexes of Directive 2011/65/EU (RoHS2). Finished electrical and electronic equipment products will be CE marked as required by Directive 2011/65/EU. Components may not be CE marked. Additionally, the part numbers that TE has identified as EU ELV compliant have a maximum concentration of 0.1% by weight in homogenous materials for lead, hexavalent chromium, and mercury, and 0.01% for cadmium, or qualify for an exemption to these limits as defined in the Annexes of Directive 2000/53/EC (ELV). Regarding the REACH Regulations, TE's information on SVHC in articles for this part number is still based on the European Chemical Agency (ECHA) 'Guidance on requirements for substances in articles' (Version: 2, April 2011), applying the 0.1% weight on weight concentration threshold at the finished product level. TE is aware of the European Court of Justice ruling of September 10th, 2015 also known as O5A (Once An Article Always An Article) stating that, in case of 'complex object', the threshold for a SVHC must be applied to both the product as a whole and simultaneously to each of the articles forming part of its composition. TE has evaluated this ruling based on the new ECHA "Guidance on requirements for substances in articles" (June 2017, version 4.0) and will be updating its statements accordingly.

### Compatible Parts



TE Part # 1618002-7  
EV200AAANA=RELAY, EV200 SPST-N

### Customers Also Bought



TE Part #66103-3  
III+ PIN, 24-20, 15AU/FL, LP



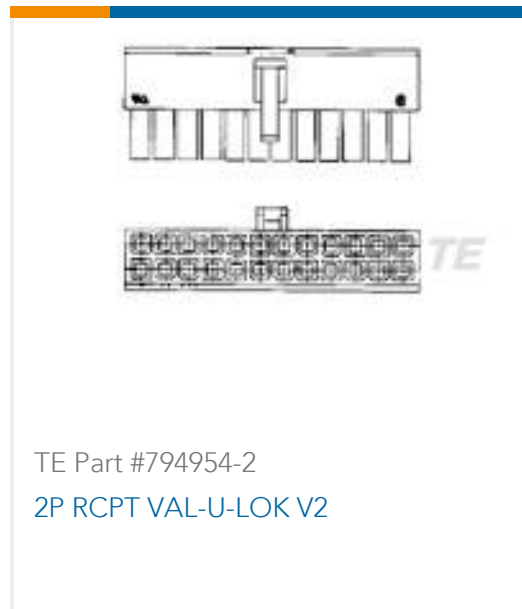
TE Part #8-320559-2  
PIDG Butt Splices



TE Part #34122  
TERMINAL, SOLIS R 16-14 8



TE Part #130205  
PIDG RING



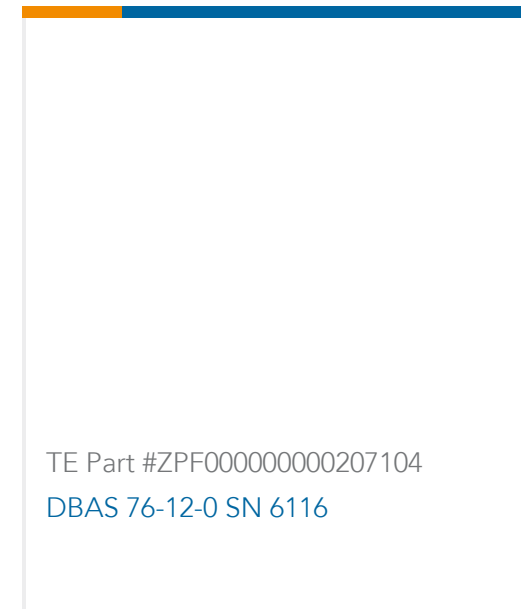
TE Part #794954-2  
2P RCPT VAL-U-LOK V2



TE Part #5070032034  
RNF-100-3/32-X-STK



TE Part #5677584004  
RNF-3000-9/3-0-SP



TE Part #ZPF00000000207104  
DBAS 76-12-0 SN 6116

## Documents

### CAD Files

3D PDF

3D

Customer View Model

[ENG\\_CVM\\_CVM\\_4-1618002-9\\_G.2d\\_dxf.zip](#)

English

Customer View Model

[ENG\\_CVM\\_CVM\\_4-1618002-9\\_G.3d\\_igs.zip](#)

English

Customer View Model

[ENG\\_CVM\\_CVM\\_4-1618002-9\\_G.3d\\_stp.zip](#)

English

By downloading the CAD file I accept and agree to the [Terms and Conditions](#) of use.

### Datasheets & Catalog Pages

[5-1773450-5\\_sec7\\_EV500](#)

English