

DESCRIPTION

The MP6613 is an H-bridge motor driver IC designed to drive stepper motors, brushed DC motors, and other loads.

The MP6613 operates across a 4.5V to 45V input voltage (V_{IN}) range. It can deliver motor current up to 5A, depending on the ambient temperature (T_A) and PCB layout.

Internal safety and diagnostic features include over-current protection (OCP), input over-voltage protection (OVP), input under-voltage protection (UVP), and thermal shutdown.

The MP6613 has several control modes that are configurable via pins. The MP6613 is available in QFN-28 (4mmx5mm) and TSSOP-28EP packages.

FEATURES

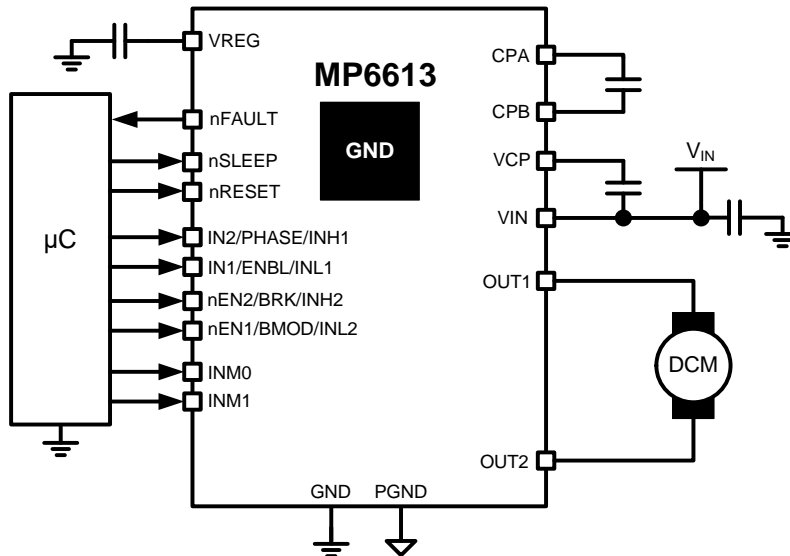
- 4.5V to 45V Operating Input Voltage (V_{IN}) Range
- 5A Maximum Output Current (I_{OUT_MAX})
- Single H-Bridge Driver
- Low 75m Ω On Resistance ($R_{DS(ON)}$) per MOSFET
- Protection Functions Include:
 - Over-Current Protection (OCP)
 - Over-Voltage Protection (OVP)
 - Under-Voltage Protection (UVP)
 - Over-Temperature (OT) Shutdown
 - Fault Indication Output
- Available in QFN-28 (4mmx5mm) and TSSOP-28EP Packages

APPLICATIONS

- Bipolar Stepper Motors
- Stage Lighting
- 3D Printers
- Laser Printers and Copiers
- Textile Machines

All MPS parts are lead-free, halogen-free, and adhere to the RoHS directive. For MPS green status, please visit the MPS website under Quality Assurance. "MPS", the MPS logo, and "Simple, Easy Solutions" are trademarks of Monolithic Power Systems, Inc. or its subsidiaries.

TYPICAL APPLICATION



ORDERING INFORMATION

Part Number*	Package	Top Marking	MSL Rating
MP6613GV	QFN-28 (4mmx5mm)	See Below	2
MP6613GF	TSSOP-28EP	See Below	2a

* For Tape & Reel, add suffix -Z (e.g. MP6613GV-Z).

* For Tape & Reel, add suffix -Z (e.g. MP6613GF-Z).

TOP MARKING (MP6613GV)

MPSYWW
MP6613
LLLLLL

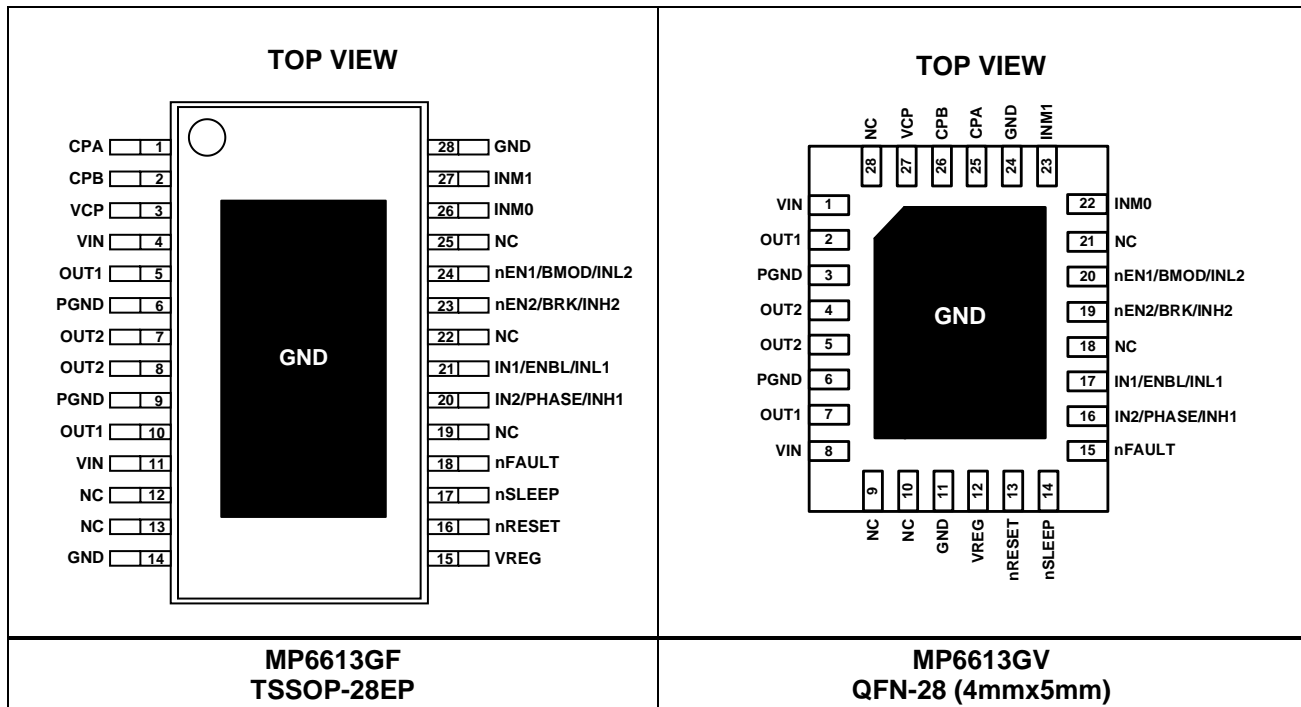
TOP MARKING (MP6613GF)

MPSYYWW
MP6613
LLLLLLLLLL

MPS: MPS prefix
Y: Year code
WW: Week code
MP6613: Part number
LLLLLL: Lot number

MPS: MPS prefix
YY: Year code
WW: Week code
MP6613: Part number
LLLLLLLLLL: Lot number

PACKAGE REFERENCE



PIN FUNCTIONS

Pin # (QFN)	Pin # (TSSOP)	Name	Description
1, 8	4, 11	VIN	Input supply voltage. Decouple the VIN pin to ground using a minimum 100nF ceramic capacitor. Additional bulk capacitance may be required.
2, 7	5, 10	OUT1	Bridge output terminal 1. Connect the OUT1 pins together on the PCB.
3, 6	6, 9	PGND	Power ground for H-bridge outputs.
4, 5	7, 8	OUT2	Bridge output terminal 2. Connect the OUT2 pins together on the PCB.
11, 24	14, 28	GND	Ground.
12	15	VREG	Internal regulator. Connect a 1 μ F, 16V ceramic capacitor (X7R) to ground.
13	16	nRESET	Reset input. Pull the nRESET pin active low to reset the protection circuits and disable the outputs. This pin is pulled down internally.
14	17	nSLEEP	Sleep mode input. Pull the nSLEEP pin logic low to enter low-power sleep mode. This pin is pulled down internally.
15	18	nFAULT	Fault indication. The nFAULT pin is an open-drain output. During fault conditions, pull nFAULT logic low using an external pull-up resistor.
16	20	IN2	Output 2 control input. If INM[1:0] = 00, this pin configures output 2's pulse-width modulation (PWM) input pin. Set the IN2 pin to 1 for output H.
		PHASE	Phase node. If INM[1:0] = 01, this pin configures the H-bridge's DIR input pin. The PHASE pin sets the motor rotation direction.
		INH1	High-side (HS) output 1 control input. If INM[1:0] = 10, this pin configures output 1's HS input. Set the INH1 pin to 1 to enable HS output 1.
17	21	IN1	Output 1 control input. If INM[1:0] = 00, this pin configures output 1's PWM input pin. Set the IN1 pin to 1 for output H.
		ENBL	H-bridge enable input. If INM[1:0] = 01, this pin configures the H-bridge's enable input pin. Set the ENBL pin to 1 to enable the entire H-bridge.
		INL1	Low-side (LS) output 1 control input. If INM[1:0] = 10, this pin configures output 1's LS input. Set the INL1 pin to 1 to enable LS output 1.
19	23	nEN2	Output 2 enable input. If INM[1:0] = 00, this pin configures output 2's enable input pin. Set the nEN2 pin to 0 to enable the input.
		BRK	Brake. If INM[1:0] = 01, this pin configures the brake input. Set the BRK pin to 1 to allow the H-bridge to enter brake mode.
		INH2	HS output 2 control input. If INM[1:0] = 10, this pin configures output 2's HS input. Set the INH2 pin to 1 to enable HS output 2.
20	24	nEN1	Output 1 enable input. If INM[1:0] = 00, this pin configures output 1's enable input pin. Set the nEN1 pin to 0 to enable the input.
		BMOD	Brake mode. If INM[1:0] = 01, this pin configures the BMOD input. Set the BMOD pin to 1 for the HS brake; set BMOD to 0 for the LS brake.
		INL2	LS output 2 control input. If INM[1:0] = 10, this pin configures output 2's LS input. Set INL2 to 1 to enable LS output 2.
22	26	INM0	Input mode selection. If INM[1:0] = 00, this pin sets ENA/PWM as the input. If INM[1:0] = 01, this pin sets PHASE/ENBL as the input. If INM[1:0] = 10, this pin sets HS/LS as the input.
23	27	INM1	
25	2	CPA	Charge pump capacitor. Connect a 100nF ceramic capacitor (X7R) between the CPA and CPB pins. This capacitor must be rated for at least V_{IN} .
26	1	CPB	
27	3	VCP	Charge pump output. The VCP pin requires a 1 μ F, 16V ceramic capacitor connected to VIN.

ABSOLUTE MAXIMUM RATINGS ⁽¹⁾

Supply voltage (V_{IN})	-0.3V to +48V
OUTx voltage (V_{OUT1} , V_{OUT2}).....	-0.7V to +48V
VCP, CPB	V_{IN} to $V_{IN} + 6.5V$
PGND to GND	-0.3V to +0.3V
All other pins to GND	-0.3V to +6.5V
Continuous power dissipation ($T_A = 25^\circ C$) ⁽²⁾	
QFN-28 (4mmx5mm).....	3.125W
TSSOP-28EP.....	3.9W
Storage temperature.....	-55°C to +150°C
Junction temperature	150°C
Lead temperature (solder)	260°C

ESD Ratings

Human body model (HBM)	±2kV
Charged device model (CDM).....	±2kV

Recommended Operating Conditions ⁽³⁾

Supply voltage (V_{IN})	4.5V to 45V
PGND to GND	-0.2V to +0.2V
Operating junction temp (T_J)....	-40°C to +125°C

Thermal Resistance ⁽⁴⁾	θ_{JA}	θ_{JC}
QFN-28 (4mmx5mm).....	40.....	9.....°C
TSSOP-28EP.....	32.....	6.....°C

Notes:

- 1) Exceeding these ratings may damage the device.
- 2) The maximum allowable power dissipation is a function of the maximum junction temperature, T_J (MAX), the junction-to-ambient thermal resistance, θ_{JA} , and the ambient temperature, T_A . The maximum allowable continuous power dissipation at any ambient temperature is calculated by P_D (MAX) = $(T_J$ (MAX) - T_A) / θ_{JA} . Exceeding the maximum allowable power dissipation can produce an excessive die temperature, which may cause the regulator to go into thermal shutdown. Internal thermal shutdown circuitry protects the device from permanent damage.
- 3) The device is not guaranteed to function outside of its operating conditions.
- 4) Measured on JESD51-7, a 4-layer PCB.

ELECTRICAL CHARACTERISTICS
 $V_{IN} = 24V$, $T_A = 25^{\circ}C$, unless otherwise noted.

Parameter	Symbol	Condition	Min	Typ	Max	Units
Power Supply						
Input supply voltage	V_{IN}		4.5		45	V
Quiescent current	I_{INQ}	nSLEEP = 1, with no load		2.8		mA
	$I_{INSLEEP}$	nSLEEP = 0		0.9	10	μA
Internal MOSFETs						
Output on resistance	$R_{DS(ON)_HS}$	$I_{OUT} = 1A$, $T_J = 25^{\circ}C$		67.5	85	m Ω
	$R_{DS(ON)_LS}$	$I_{OUT} = 1A$, $T_J = 25^{\circ}C$		75	92.5	m Ω
Body diode forward voltage	V_F	$I_{OUT} = 1A$			1.1	V
Control Logic Inputs						
Logic-low input threshold	V_{IL}				0.8	V
Logic-high input threshold	V_{IH}		2			V
Logic input current	I_{IN_H}	$V_{IN} = 5V$	-100		+100	μA
	I_{IN_L}	$V_{IN} = 0V$	-20		+20	μA
Internal pull-down resistance	R_{PD}	To GND		100		k Ω
nFAULT Output						
Output low voltage	V_{OUT_L}	$I_{OUT} = 5mA$			0.5	V
Output high leakage current	I_{OUT_H}	$V_{OUT} = 5V$			1	μA
Protection Circuits						
V_{IN} under-voltage lockout (UVLO) rising threshold	$V_{IN_ULVO_RISING}$				4.5	V
V_{IN} UVLO hysteresis	$V_{IN_UVLO_HYS}$			300		mV
V_{IN} over-voltage protection (OVP) threshold	V_{OVP}		45		48	V
Over-current (OC) trip level	I_{OCP1}	Sinking	6	9		A
	I_{OCP2}	Sourcing	6	9		A
OC deglitch time	t_{OCP}			1		μs
Thermal shutdown	T_{TSD}			165		$^{\circ}C$
Thermal shutdown hysteresis	T_{TSD_HYS}			15		$^{\circ}C$

TYPICAL TIMING CHARACTERISTICS

$V_{IN} = 24V$, $T_A = 25^\circ C$, unless otherwise noted.

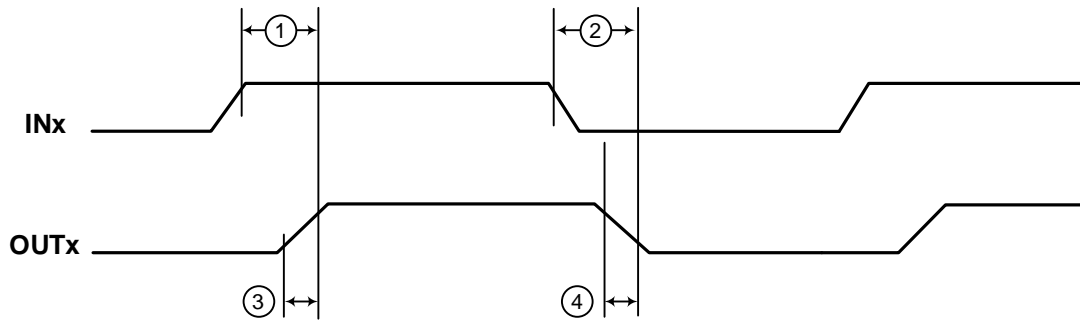
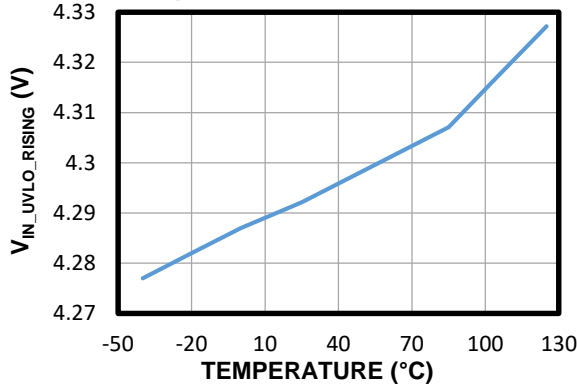
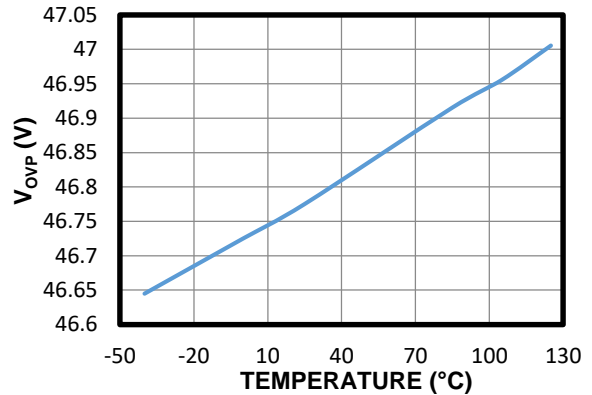
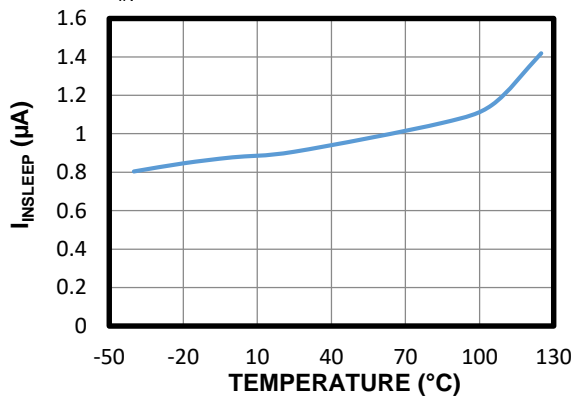
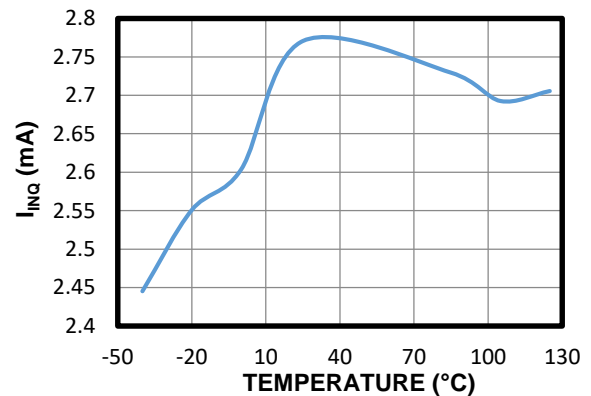
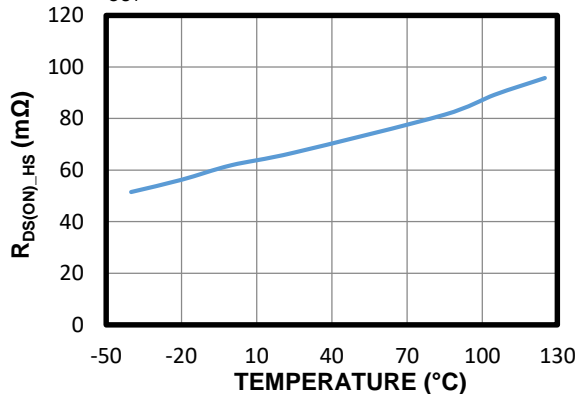
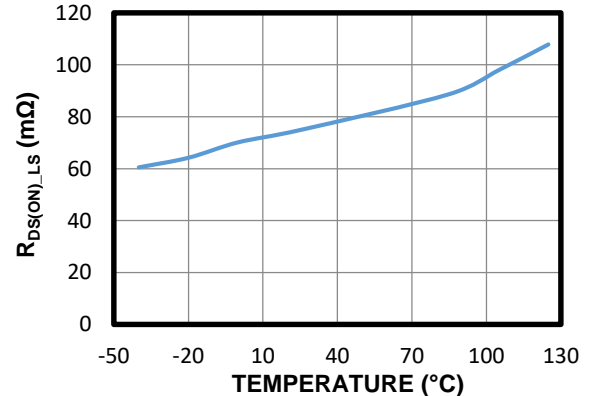


Figure 1: Timing Diagram

Table 1: Timing Characteristics

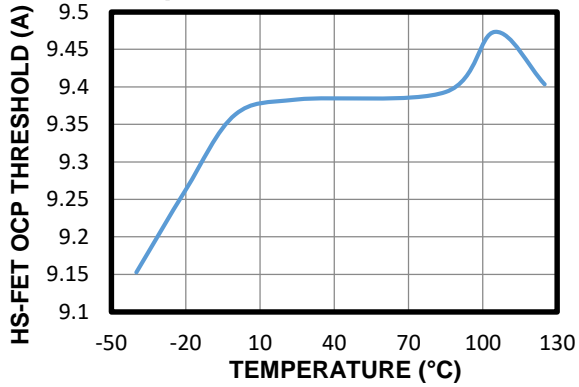
Parameter	Symbol	Condition	Min	Typ	Max	Units
INx high to OUTx high delay time	t_1		40		360	ns
INx low to OUTx low delay time	t_2		40		360	ns
Output rise time	t_3		1		55	ns
Output fall time	t_4		1		165	ns
Dead time	--				80	ns

TYPICAL CHARACTERISTICS

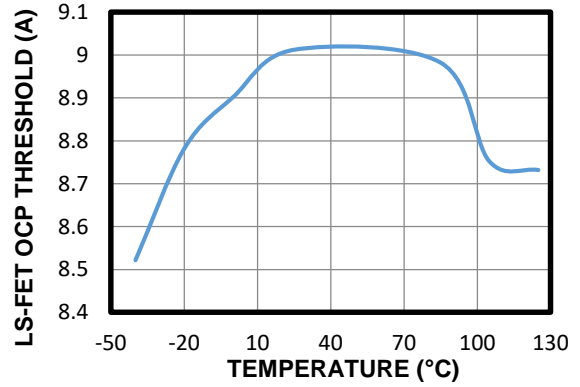
 V_{IN} UVLO Rising Threshold vs. Temperature

 V_{IN} OVP Threshold vs. Temperature

Quiescent Current ($I_{INSLEEP}$) vs. Temperature
 $V_{IN} = 24V$

Quiescent Current (I_{INQ}) vs. Temperature
 $V_{IN} = 24V$

HS-FET On Resistance vs. Temperature
 $I_{OUT} = 1A$

LS-FET On Resistance vs. Temperature
 $I_{OUT} = 1A$


TYPICAL CHARACTERISTICS (continued)

HS-FET OCP Threshold vs. Temperature



LS-FET OCP Threshold vs. Temperature

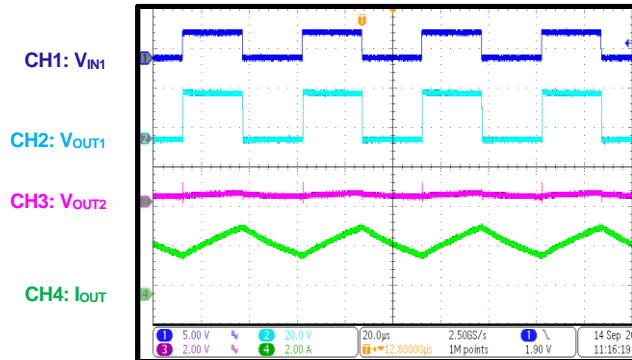


TYPICAL PERFORMANCE CHARACTERISTICS

$V_{IN} = 24V$, $nSLEEP = 3.3V$, $INM[1:0] = 00$, OUT1 switching with 20kHz frequency, OUT2 LS-FET on, $T_A = 25^\circ C$, resistor + inductor load: $4\Omega + 1.5mH$ between OUT1 and OUT2, unless otherwise noted.

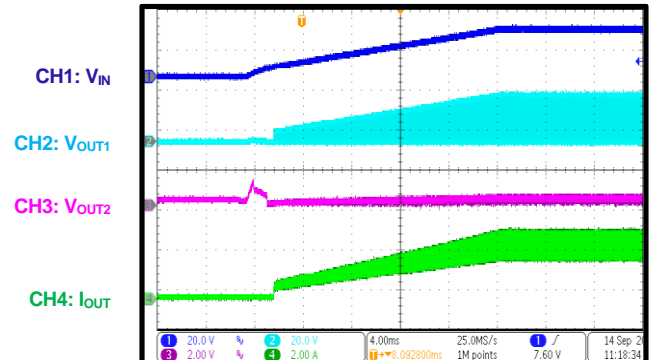
Steady State

Duty = 50%



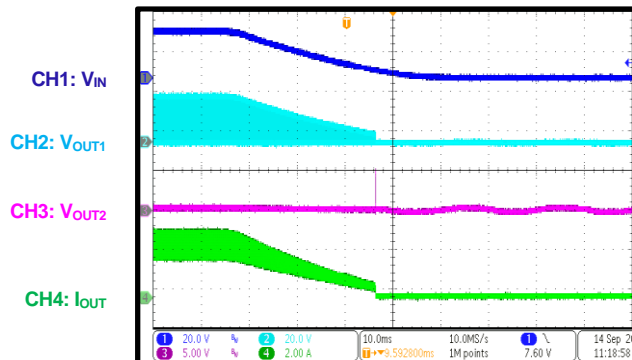
Power Ramping Up

Duty = 50%



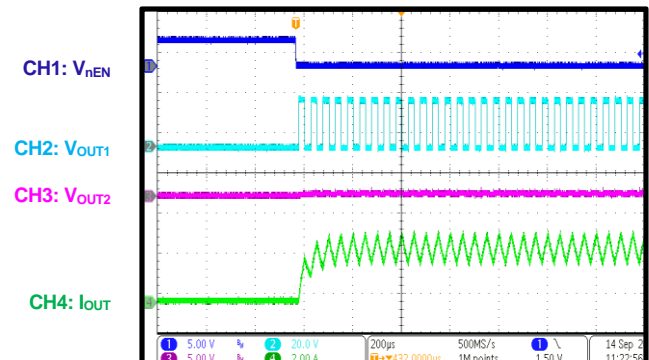
Power Ramping Down

Duty = 50%



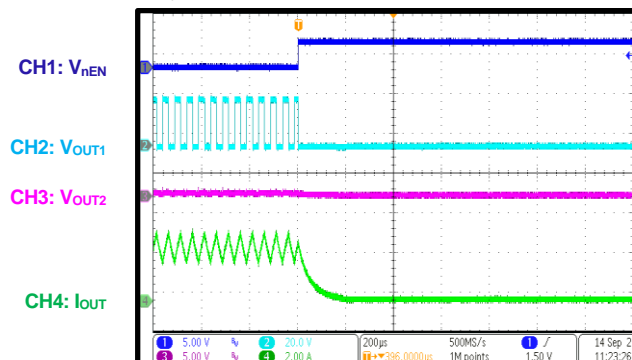
Start-Up through nENx

Duty = 50%



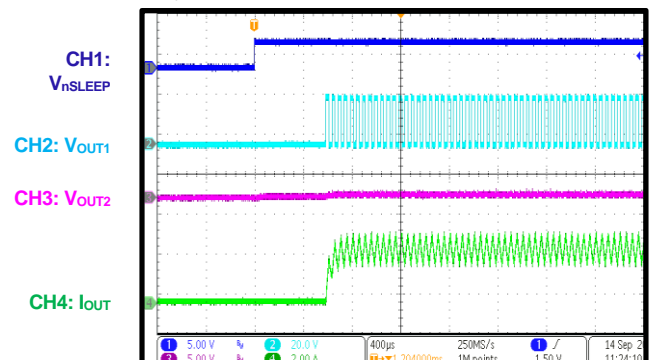
Shutdown through nENx

Duty = 50%



nSLEEP Recovery

Duty = 50%

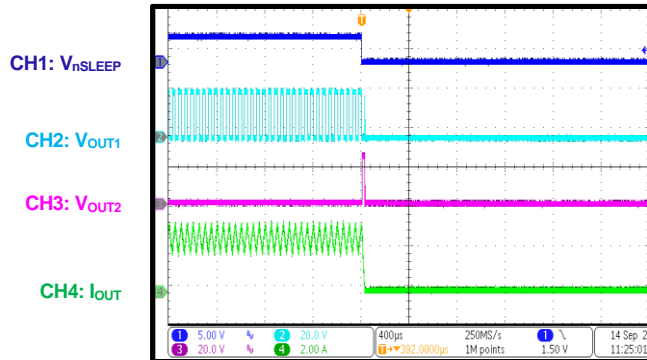


TYPICAL PERFORMANCE CHARACTERISTICS (continued)

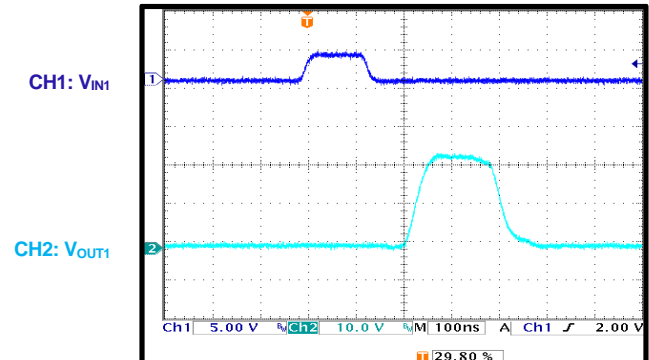
$V_{IN} = 24V$, $nSLEEP = 3.3V$, $INM[1:0] = 00$, OUT1 switching with 20kHz frequency, OUT2 LS-FET on, $T_A = 25^\circ C$, resistor + inductor load: $4\Omega + 1.5mH$ between OUT1 and OUT2, unless otherwise noted.

nSLEEP Entry

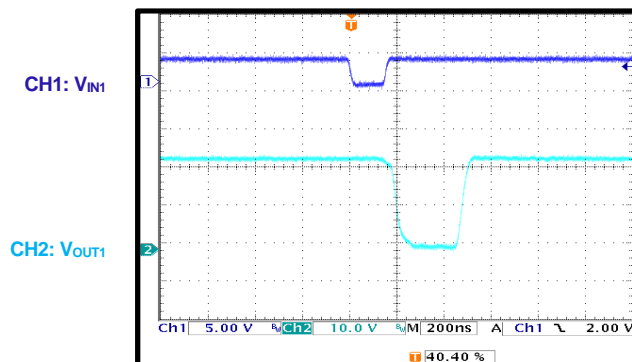
Duty = 50%


HS-FET Minimum On Time

No load


LS-FET Minimum On Time

No load



FUNCTIONAL BLOCK DIAGRAM

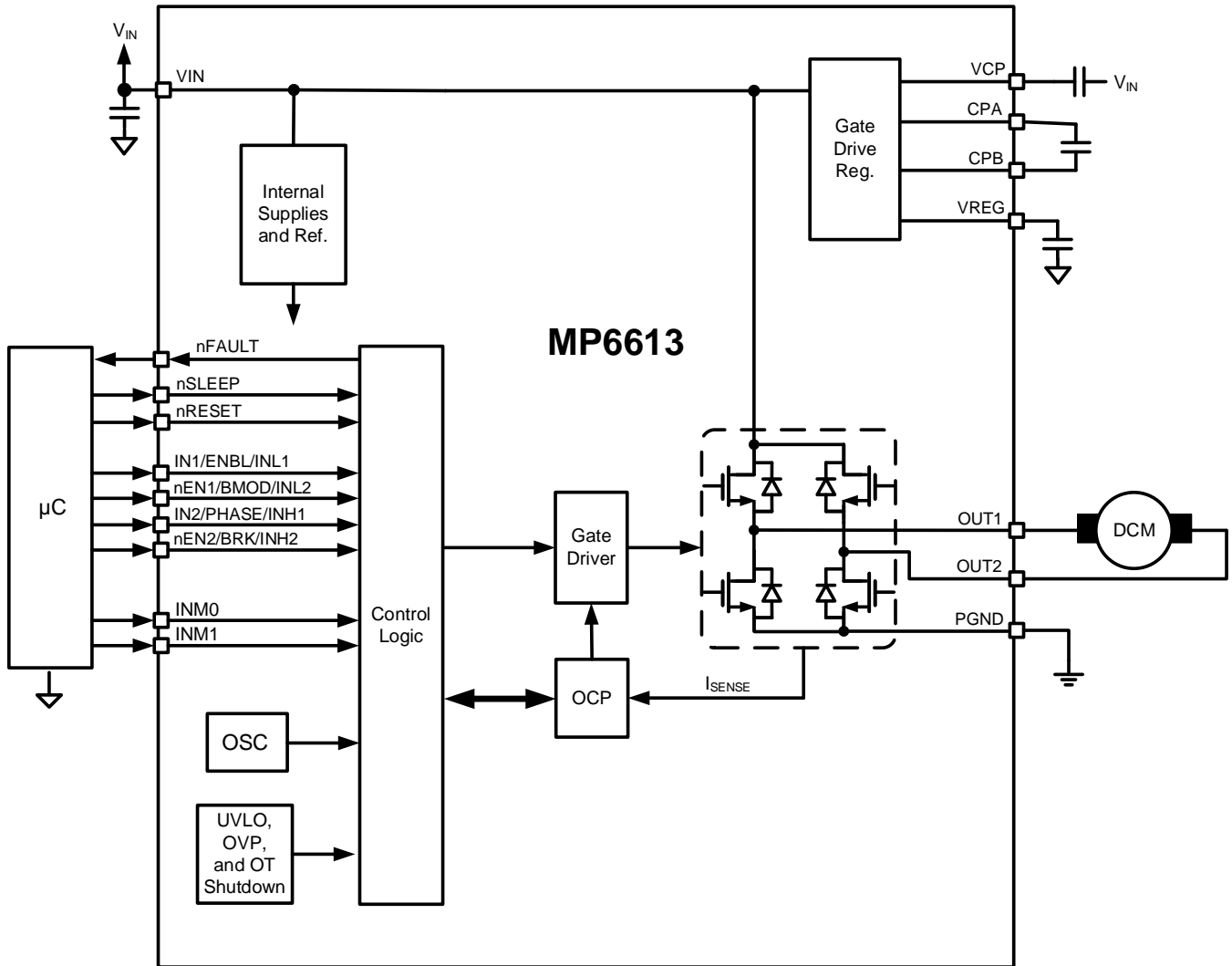


Figure 2: Functional Block Diagram

OPERATION

The MP6613 is a general-purpose H-bridge motor driver designed to drive bipolar stepper motors, brushed DC motors, solenoids, and other loads. It integrates four N-channel power MOSFETs connected as a full H-bridge, with a 5A current capability. The device operates across a wide 4.5V to 45V supply input voltage (V_{IN}) range.

nSLEEP and nRESET

Pull the nSLEEP pin low to force the MP6613 to enter low-power sleep mode. In this mode, the gate drive charge pump stops, and all the internal circuits and H-bridge outputs are disabled. All inputs are ignored when nSLEEP is active low.

Once entering sleep mode, 600 μ s must pass before the motor can exit sleep mode. This allows the internal circuitry to stabilize. nSLEEP has an internal pull-down resistor.

Pull the nRESET pin low to reset the latched protection features, including over-current protection (OCP) and over-voltage protection (OVP), as well as to disable the outputs to a high-impedance (Hi-Z) state.

Input Interface

The MP6613 contains a single full H-bridge or two half H-bridges that operate independently, depending on the configuration set by the INM1 and INM0 pins.

The two OUT1 pins and two OUT2 pins must be externally connected in parallel on the PCB. Three configurable input modes are available on the MP6613, allowing for several different control methods to be used. INM1 and INM0 configure the input interface. Table 2 shows the input logic when $INM[1:0] = 00$.

Table 2: Input Logic for $INM[1:0] = 00$ ⁽⁵⁾

nENx	INx	OUTx
L	H	VIN
L	L	GND
H	X	Hi-Z

Note:

5) "X" means not applicable.

Table 3 shows the input logic when $INM[1:0] = 01$.

Table 3: Input Logic for $INM[1:0] = 01$ ⁽⁶⁾

ENBL	PHASE	BRK	BMOD	OUT1	OUT2
L	X	X	X	Hi-Z	Hi-Z
H	X	H	L	GND	GND
H	X	H	H	VIN	VIN
H	L	L	X	GND	VIN
H	H	L	X	VIN	GND

Note:

6) "X" means not applicable.

Table 4 shows the input logic when $INM[1:0] = 10$.

Table 4: Input Logic for $INM[1:0] = 10$

INHx	INLx	OUTx
L	L	Hi-Z
L	H	GND
H	L	VIN
H	H	Hi-Z

Note that all logic inputs have weak, internal pull-down resistors.

Automatic Synchronous Rectification

If the output high-side MOSFET (HS-FET) and low-side MOSFET (LS-FET) are turned off, then the recirculation current must continue to flow when driving current through an inductive load. This current is typically passed through the MOSFET body diodes. To prevent excess power dissipation in the body diodes, the MP6613 implements automatic synchronous rectification.

If both the HS-FET and LS-FET are turned off and the voltage on an OUTx pin (V_{OUTx}) is pulled below ground, then the LS-FET turns on until the current flowing through it approaches 0A or the HS-FET turns on. Similarly, if V_{OUTx} exceeds V_{IN} , then the HS-FET turns on until the current approaches 0A or the LS-FET turns on.

Internal Supply Voltages (V_{REG} and V_{CP})

The internal regulators generate a 5V supply voltage (V_{REG}) for the low-side (LS) gate drive, and a supply exceeding V_{IN} by 5V (V_{CP}) for the high-side (HS) gate drive. These supplies require external capacitors.

The VREG pin requires a 1 μ F ceramic capacitor connected to ground. The VCP pin requires a 1 μ F ceramic capacitor connected to VIN. Both capacitors should be X7R ceramic

capacitors, and rated for a voltage of at least 16V.

Connect the charge pump flying capacitor between the CPA and CPB pins using a 100nF ceramic capacitor (X7R) that is rated for at least the maximum V_{IN} .

nFAULT

The MP6613 provides an nFAULT pin to report to the system if a fault condition such as OCP, OVP, or over-temperature protection (OTP) occurs. nFAULT is an open-drain output, and is pulled low during fault conditions. If used, nFAULT should be pulled high via an external pull-up resistor.

Over-Current Protection (OCP)

OCP circuitry limits the current through the HS-FET and LS-FET by disabling the gate driver. If the over-current (OC) limit threshold is reached and lasts for longer than the OC deglitch time (t_{OCP}), then all the MOSFETs in the H-bridge are disabled and nFAULT is pulled low. The driver remains disabled until the device is reset by pulling nRESET low or by cycling the power on the MP6613.

OC conditions on the HS and LS devices (e.g. an OC condition to ground, supply, or across a motor winding) all result in an OC shutdown.

Over-Voltage Protection (OVP)

If V_{IN} exceeds the OVP threshold (V_{OVP}), then the H-bridge output is disabled and nFAULT is pulled low. The driver remains disabled until the device is reset by pulling nRESET low or cycling the power on the MP6613.

Input Under-Voltage Lockout (UVLO) Protection

If V_{IN} falls below the under-voltage lockout (UVLO) threshold (V_{IN_UVLO}), then all circuitry in the device is disabled and the internal logic resets. Once V_{IN} exceeds V_{IN_UVLO} , the device starts up again and resumes normal operation.

Thermal Shutdown

If the die temperature exceeds safe limits, then all the MOSFETs in the H-bridge are disabled and nFAULT is pulled low. Once the die temperature returns to a safe level, the MP6613 automatically starts up again and resumes normal operation.

APPLICATION INFORMATION

Selecting the External Components

Bypass the two VIN pins to GND using a minimum 100nF ceramic capacitor with X7R dielectrics, placed as close to the IC as possible. Place an additional 1 μ F to 10 μ F ceramic capacitor close to the 100nF capacitor. Depending on the supply impedance and distance to other large capacitors, an electrolytic bulk capacitor may also be required to stabilize VIN.

Connect a 100nF ceramic capacitor rated for V_{IN} between the CPA and CPB pins. Connect a 1 μ F, 16V ceramic capacitor between the VIN and VCP pins.

Connect a 1 μ F, 16V ceramic capacitor with X7R dielectrics from the VREG pin to GND.

PCB Layout Guidelines

Efficient PCB layout is critical for stable operation. For the best results, refer to Figure 3 and Figure 4, and follow the guidelines below:

1. Place the supply bypass and charge pump capacitors as close to the IC as possible, ideally adjacent to the pins on the same PCB layer.
2. Each VIN pin requires a bypass capacitor.
3. Place as much copper on the long pads as possible.
4. Place large copper areas on the pads and the device's outer copper layer.
5. The thermal pad should be soldered directly to the copper on the PCB.
6. Add thermal vias to transfer heat to the other PCB layers.

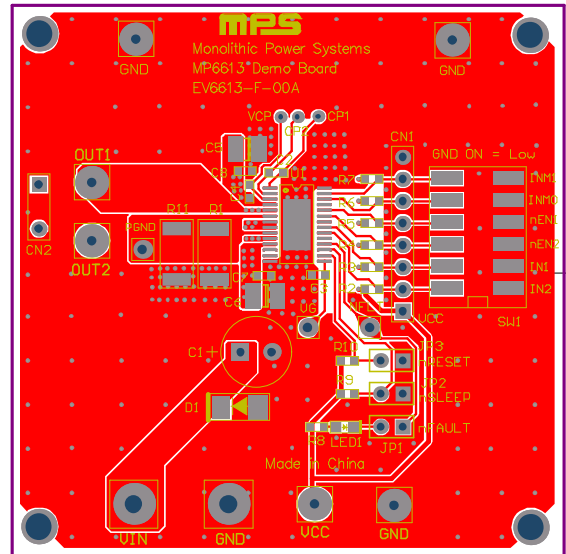


Figure 3: Recommended PCB Layout (MP6613GF)

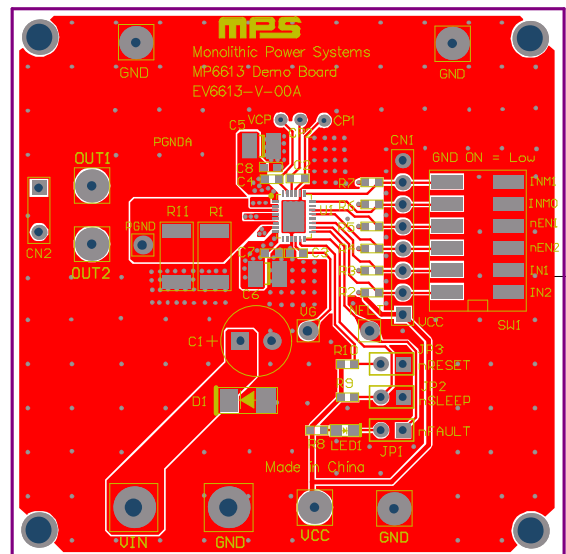


Figure 4: Recommended PCB Layout (MP6613GV)

TYPICAL APPLICATION CIRCUIT

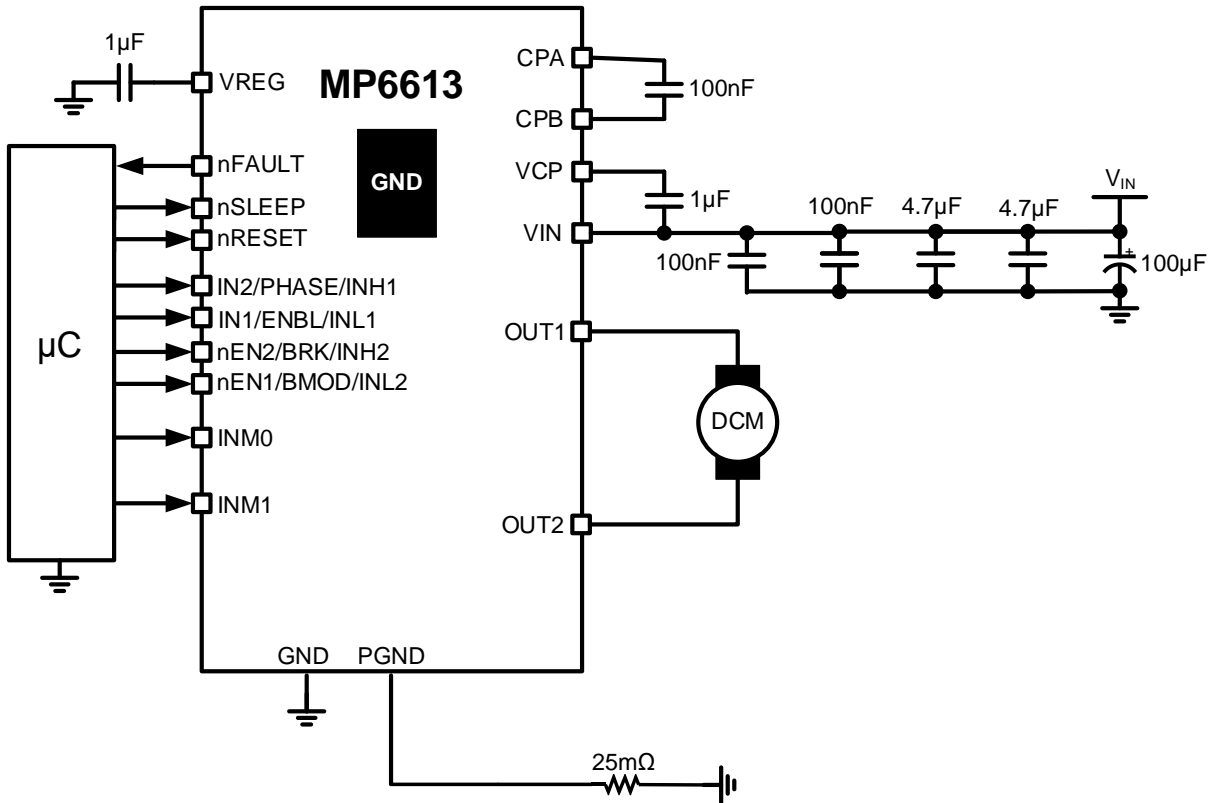
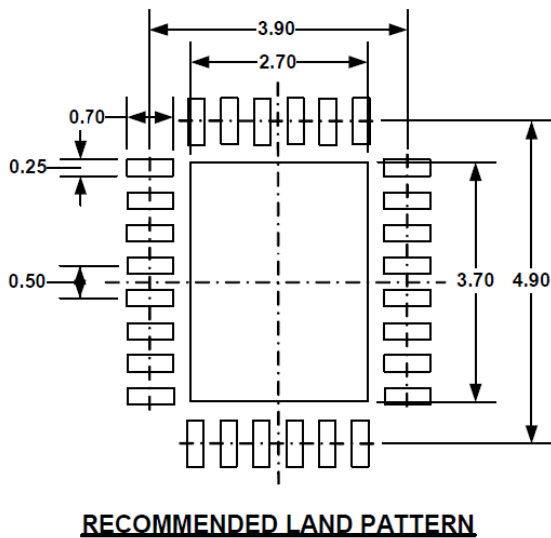
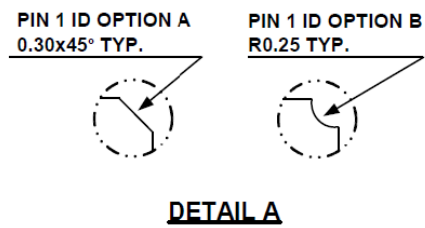
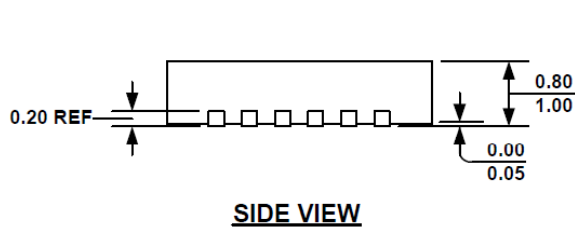
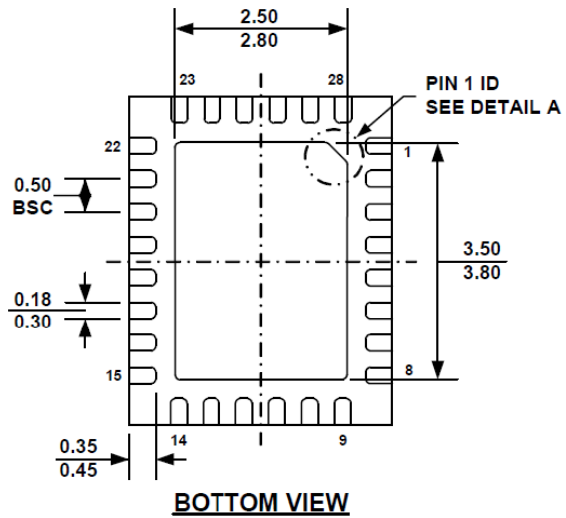
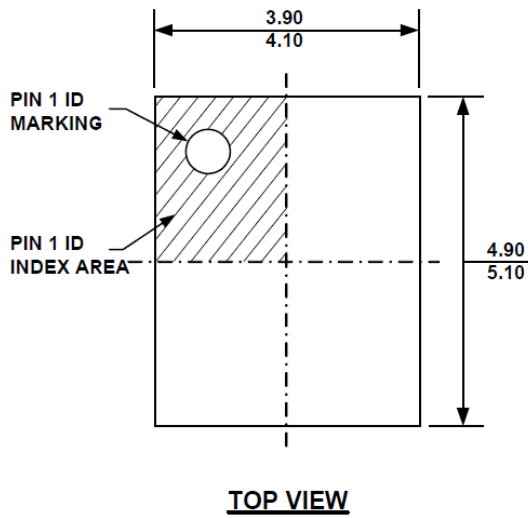


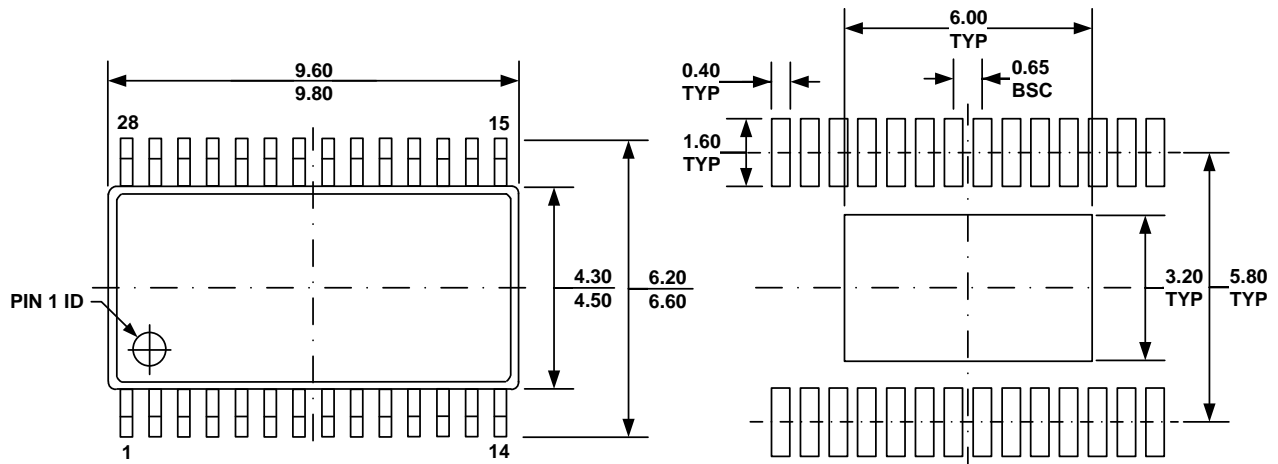
Figure 5: Typical Application Circuit

PACKAGE INFORMATION
QFN-28 (4mmx5mm)

NOTE:

- 1) ALL DIMENSIONS ARE IN MILLIMETERS.
- 2) EXPOSED PADDLE SIZE DOES NOT INCLUDE MOLD FLASH.
- 3) LEAD COPLANARITY SHALL BE 0.10 MILLIMETER MAX.
- 4) DRAWING CONFORMS TO JEDEC MO-220, VARIATION VHGD-3.
- 5) DRAWING IS NOT TO SCALE.

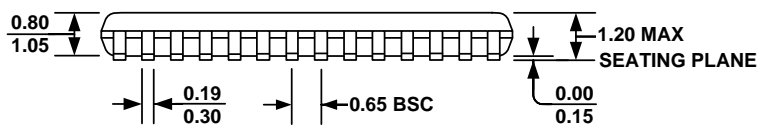
PACKAGE INFORMATION (continued)

TSSOP-28EP

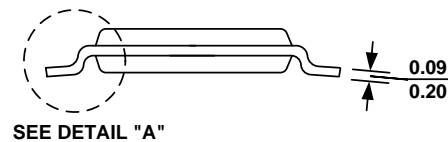


TOP VIEW

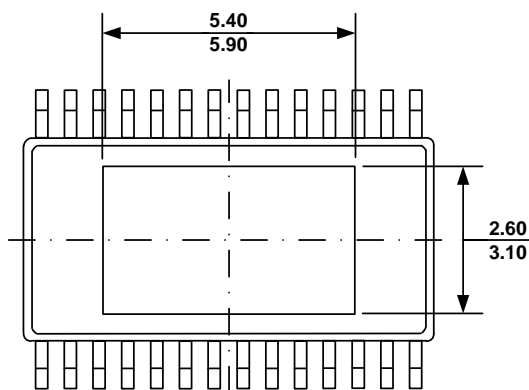
RECOMMENDED LAND PATTERN



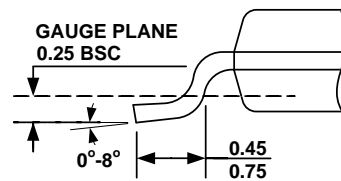
FRONT VIEW



SIDE VIEW



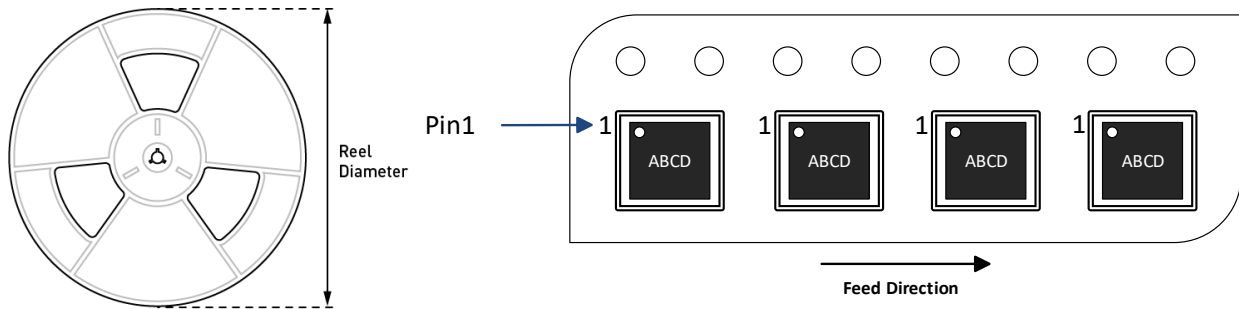
BOTTOM VIEW



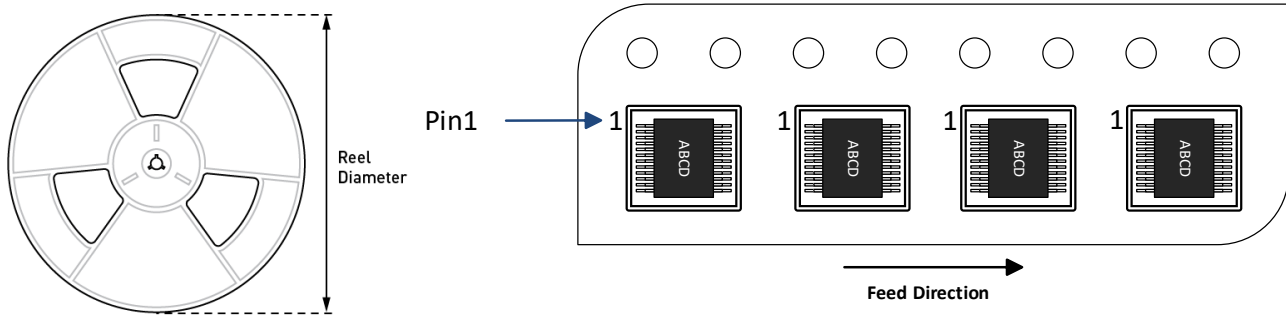
DETAIL "A"

NOTE:

- 1) ALL DIMENSIONS ARE IN MILLIMETERS.
- 2) PACKAGE LENGTH DOES NOT INCLUDE MOLD FLASH, PROTRUSION OR GATE BURR.
- 3) PACKAGE WIDTH DOES NOT INCLUDE INTERLEAD FLASH OR PROTRUSION.
- 4) LEAD COPLANARITY (BOTTOM OF LEADS AFTER FORMING) SHALL BE 0.10 MILLIMETERS MAX.
- 5) DRAWING CONFORMS TO JEDEC MO-153, VARIATION AET.
- 6) DRAWING IS NOT TO SCALE.

CARRIER INFORMATION


Part Number	Package Description	Quantity/ Reel	Quantity/ Tube	Reel Diameter	Carrier Tape Width	Carrier Tape Pitch
MP6613GV-Z	QFN-28 (4mmx5mm)	5000	N/A	13in	12mm	8mm



Part Number	Package Description	Quantity/ Reel	Quantity/ Tube	Reel Diameter	Carrier Tape Width	Carrier Tape Pitch
MP6613GF-Z	TSSOP-28EP	2500	50	N/A	13in	16mm

REVISION HISTORY

Revision #	Revision Date	Description	Pages Updated
1.0	12/19/2022	Initial Release	-
1.1	5/12/2023	Updated the MSL rating of the MP6613GV orderable SKU to “2” in the Ordering Information section	2

Notice: The information in this document is subject to change without notice. Please contact MPS for current specifications. Users should warrant and guarantee that third-party Intellectual Property rights are not infringed upon when integrating MPS products into any application. MPS will not assume any legal responsibility for any said applications.