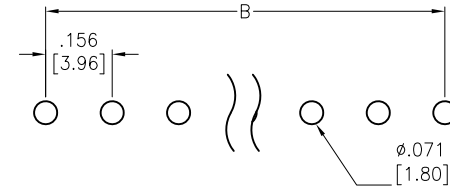
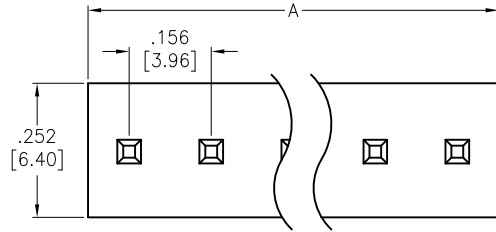
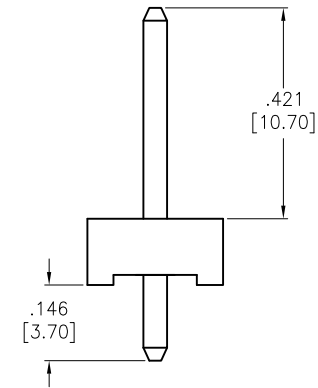
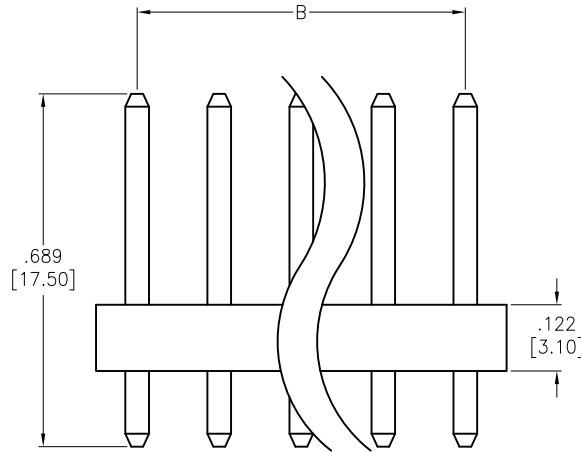


APPROVED: _____
 DATE: _____ TITLE: _____

Rev	AWO #	Description	Date	Appr
-		RELEASED	4/12/05	
A		REDRAWN	03/14/12	
B		UPDATE SPEC.	6/12/20	AY/RC



RECOMMENDED PCB LAYOUT



SPECIFICATIONS:

Material:
 Insulator: Nylon 66, rated UL 94V-2
 Insulator color: White
 Contacts: Brass
 Plating:
 Tin over Copper underplate overall
 Electrical:
 Voltage rating: 250 VAC/DC
 Current rating: 5A AC/DC
 Insulation resistance: 1,000 Mohms min
 Temperature Rating:
 -25°C to +85°C
 Environmental:
 Lead free, RoHS compliant



Positions: 2 thru 20
 A = .156 [3.96] x No. of Positions
 B = .156 [3.96] x No. of Spaces

UNLESS OTHERWISE SPECIFIED ALL DIMENSIONS ARE INCHES [MM] TOLERANCES: EXCEPT AS NOTED INCHES HOLES .X ± .10 Ø.X ± .10 .XX ± .020 Ø.XX ± .015 .XXX ± .015 Ø.XXX ± .010		ADAM TECH INTERCONNECTS		909 Rahway Avenue, Union, NJ 07083 Phone: 908-687-5000 Fax: 908-687-5710	
APPROVALS DRAWN SS CHECKED APPROVED		DATE 4/12/05		TITLE .156 [3.96] POWER HEADER STRAIGHT, WITHOUT LOCK POLARIZER	
SIZE X		PART NO. LHB-XX-SA2		REV. B	
REF: S00016T		SCALE: NTS		SHEET 1 OF 1	

6

5

4

3

2

1

D

D

C

C

B

B

A

A

6

5

4

3

2

1