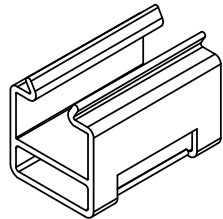
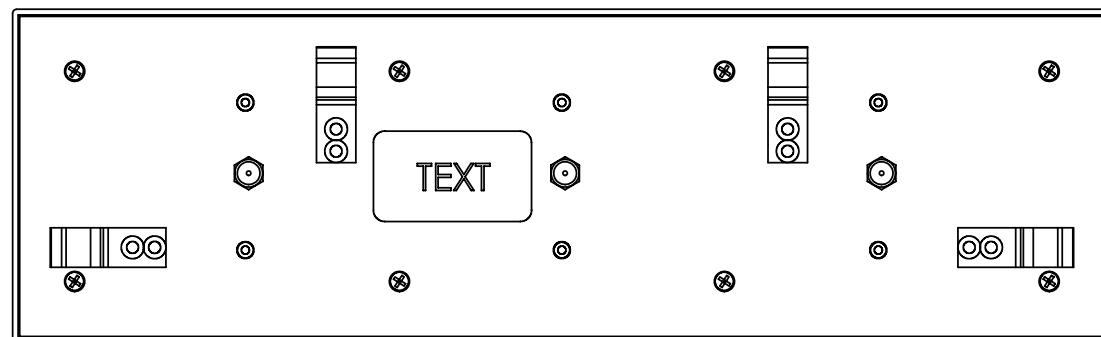
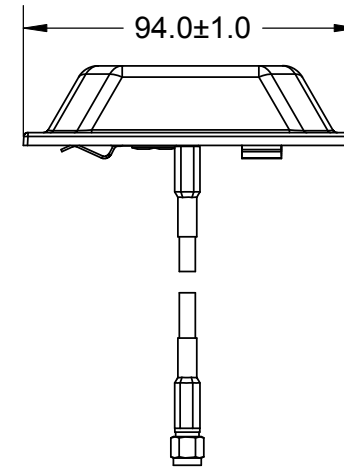
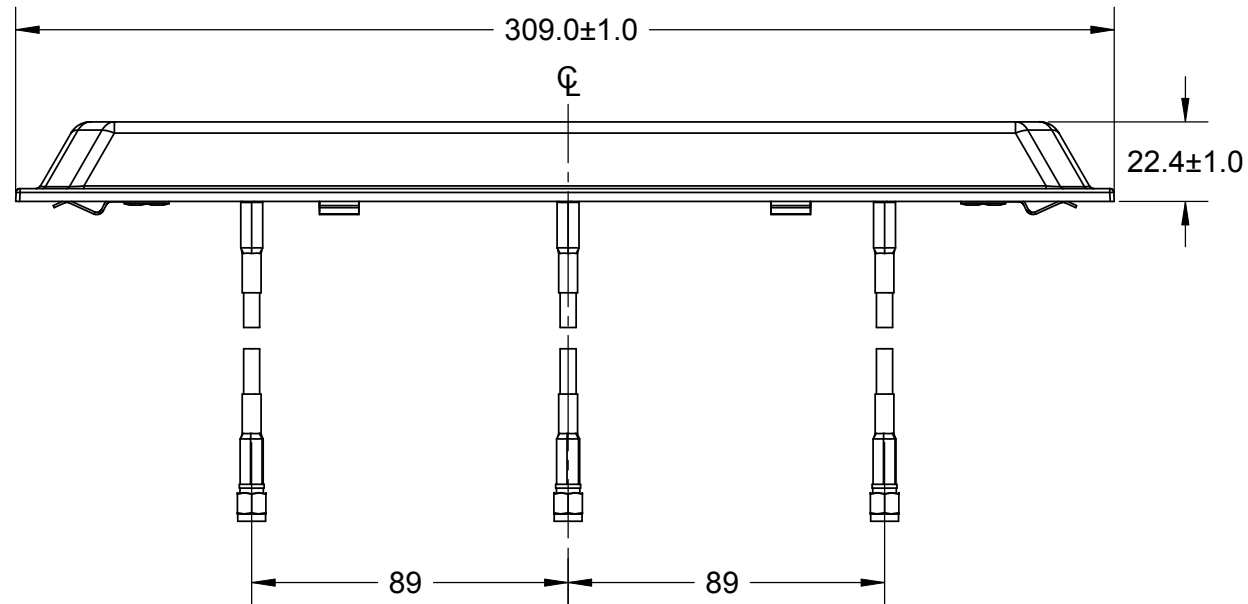


RECESSED TILE  
ADAPTER CLIP



CEILING FINELINE  
ADAPTER CLIP



REVISIONS					
REV.	ECR#	ZONE	DESCRIPTION	CHANGED BY/DATE	APPROVED BY/DATE
1			PRELIMINARY RELEASE	S.J. 12/20/2007	S.J. 12/20/2007
2			ADDED FOURTH CLIP, UPDATED GAIN FOR CABLE LENGTH	S.J. 02/14/2008	S.J. 02/14/2008
3			CHANGED GP AND RAD TO TOOLED VERSIONS	S.J. 04/17/2008	S.J. 04/17/2008
AA			FORMAL RELEASE	S.J. 5/29/2008	S.J. 5/29/2008

Parameter	Performance	
Antenna Part Number	S24493TS60RSM	
Frequency	2.4-2.5 GHz & 4.90-5.99 GHz	
Gain (W/60" Cable)	2.4-2.5 GHz	4.90-5.99 GHz
	2.5 ± 0.5dBi	3.3 ± 1.0dBi
Polarization	Linear Vert.	
VSWR	2:1	
Azimuth Plane Beamwidth	Omnidirectional	
Elevation Plane 3 dB Beamwidth	60°	
Cable Length	60"	
RF Connectors	Reverse SMA Male (3X)	
Power	2 Watts	
Weight	0.34 kg	
Radome Color	White	
Mounting	Ceiling Clips	

MATERIAL: N/A		THIRD ANGLE PROJECTION	
FINISH: N/A		DO NOT SCALE DRAWING	
APPROVALS		DATE	
DRAWN BY	S. JOHNSON	1/07/08	
PROJ. ENG.	J. MORROW	5/30/08	<b>TOLERANCES UNLESS OTHERWISE SPECIFIED</b> <small>DIMENSIONS ARE IN MILLIMETERS</small>
APPL. MECH.	K. SEARL	5/30/08	
MFG.	I. CHICKLIS	6/02/08	
<small>ANGLE: ±30° 0 PLACE DECIMAL: ±0.5 1 PLACE DECIMAL: ±0.25 2 PLACE DECIMAL: ±0.13 SURFACE ROUGHNESS 1.6/√</small>		<b>TITLE:</b> <h1>S24493TS60RSM</h1>	
<small>THIS DRAWING IS UNPUBLISHED. RELEASED FOR PUBLICATION</small>		<b>SIZE</b> <h2>A3</h2>	<b>DWG. NO.</b> <h2>S24493TS60RSMMO</h2>
<small>© Copyright 2022 TE Connectivity Ltd. ALL RIGHTS RESERVED.</small>		<b>SCALE: 1:2</b>	<b>REV</b> <h2>AA</h2>
		<b>PREVIOUS#</b>	<b>SHEET 1 OF 1</b>

THIS DRAWING IS UNPUBLISHED. RELEASED FOR PUBLICATION  
 © Copyright 2022 TE Connectivity Ltd. ALL RIGHTS RESERVED.