



REV.	ECN NO.	REVISED	DATE
A/1	EN20240221001	Huanglieqing	2024-02-21

OTE:

1.MATERIAL:

a.HOUSING:PPA WHITE 94HB

b.CONTACT+:QBeCu

CONTACT-:C5191

(SURFACE PLATING: Au 1u")

SEE ORDERING INFORMATION

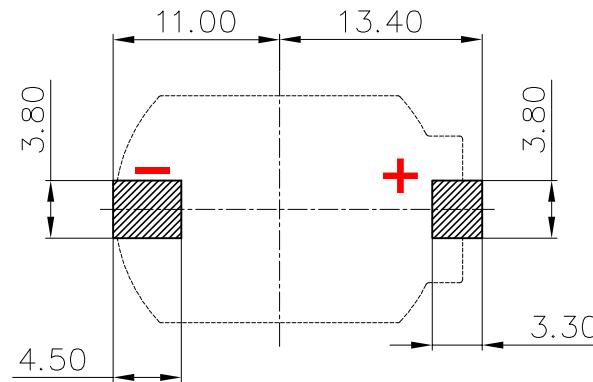
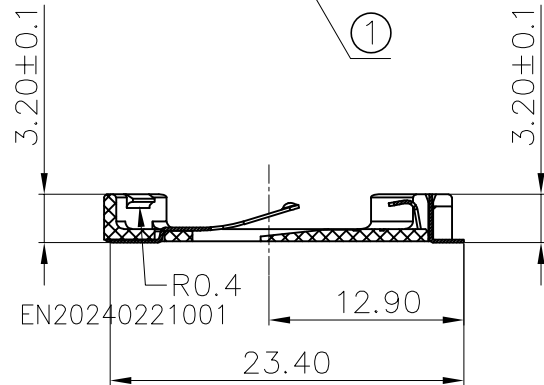
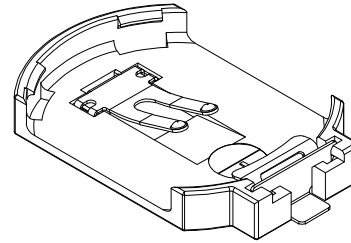
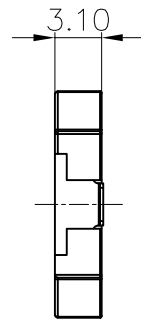
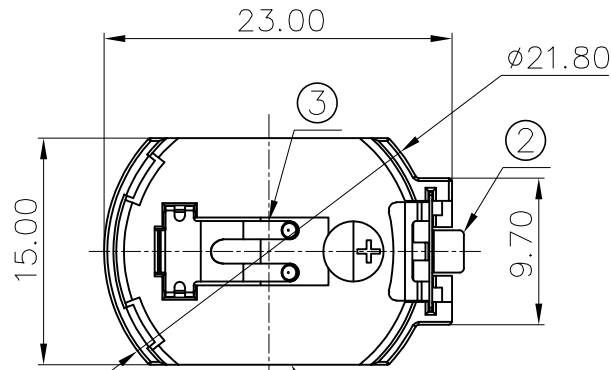
2.ELECTRIC:

a.CONTACT RESISTANCE: 30 MILLIOHMS MAX

b.INSULATION RESISTANCE: 100 MEGA OHMS MIN

c.DIELECTNIC VOLTAGE: 500V AC ONE MINUTE

d.OPERATING TEMPERATURE: -25° C~ +85° C



PCB Layout Diagram
Bottom View

ORDERING INFORMATION
BS-2016-B2CA004

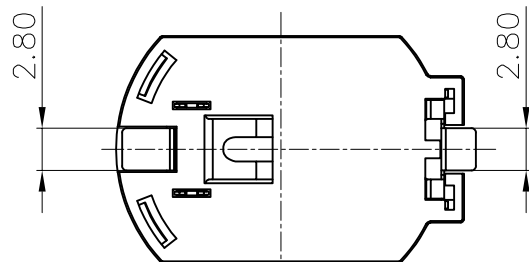
电池座

电池型号

SMT 180° TYPE

PLATING:
A-Au1U"
J-Ni100U"~120U"
K-Sn100U"~120U"

MATERIAL:
1A-PBT BLACK
1B-PA66 BLACK
2A-PPA BROWN
2B-PPA BLACK
2C-PPA WHITE
2D-PPA ADJUSTED
COLOR
3A-PPS BROWN
3B-PPS BLACK



3	TERMINAL-	1	C5191 T=0.2mm	Au-Plating
2	TERMINAL+	1	QBeCu, T=0.2mm	Au-Plating
1	HOUSING	1	PPA 94HB	WHITE
NO.	PART NAME	Q'TY	MATERIAL	PLATING & COLOR

UNLESS OTHERWISE SPECIFIED TOLERANCES		MYOUNG 美用 www.meiyangdz.com	
DECIMALS: X :±0.30 X.X :±0.25 X.XX :±0.20 X.XXX :±0.10	ANGLES: X :±1° X.X :±0.5°	DSND Huanglieqing	DATE 2024-03-15
WEIGHT:		CHKD ZhouRuicai	DATE 2024-03-15
SHEET 1 OF 1		APVD XueShunyong	DATE 2024-03-15
SCALE:		SIZE: A4	VIEW:
UNIT: mm		REV.: A/1	OBJECT: MY
TITLE: BS-2016-8-2 Au SMT PPA白色 正板被青铜		PART NO.: BS-2016-B2CA004	
DRAW NO.:MY-CP-0399			