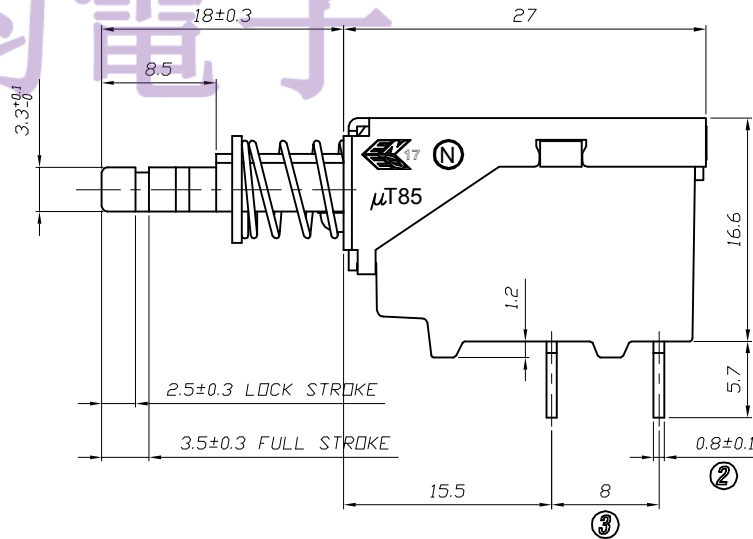
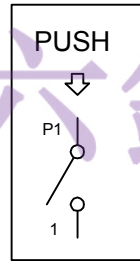
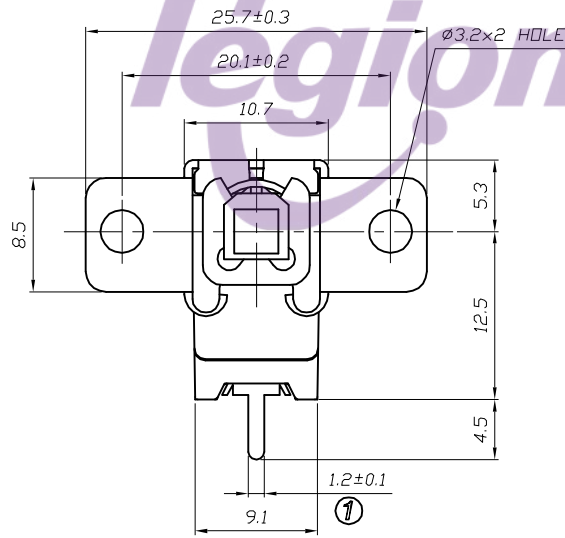
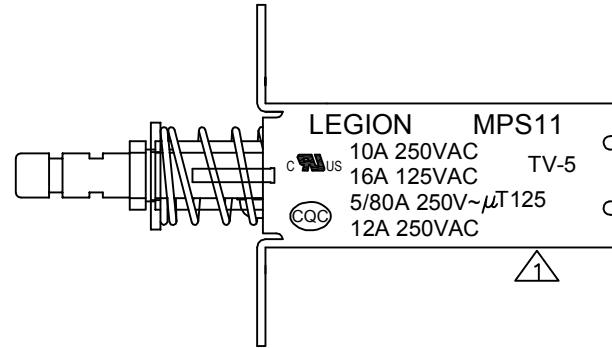


1. 按键开关型号 PUSH BUTTON SWITCH MODEL NO. MPS11-HC180-3-R
 2. PCB TYPE
 3. 额定值 RATING: 16A 125VAC/10A 250VAC(C-UL)
 TV-5(C-UL)
 5A/80A 250V~ μ T85(ENEC17;NEMKO;CB)
 12A 250VAC 5/80A 250V~ μ T125(CQC)

4. 所有部件均使用环保材料
 ALL MATERIALS USE IN CONFORMIY WITH THE RoHS DIRECTIVE

TEL: 0769-82310511-867



5	→	10	→	DIMENSIONAL TOLERANCES		APPROVED	CHECKED	DESIGN	DRAWN	ALL SIZE ARE IN	MM		
4	→	9	→	RANGE	TOLERANCE				TB	SCALE	NO		
3	→	8	→	X	±0.30				2016.05.20	MAT'L	***	DRAWING NO.	REV.
2	→	7	→	X.X	±0.20					MATERIAL NO.			
1	25.4 → 25.7	6	→	X.XX	±0.10	LEGION ELECTRONIC & HARDWARE CO., LTD.				MPS11-HC180-3-R	WIF119132	A1	
NO	DESCRIPTION	NO	DESCRIPTION	ANGLES	±1'								