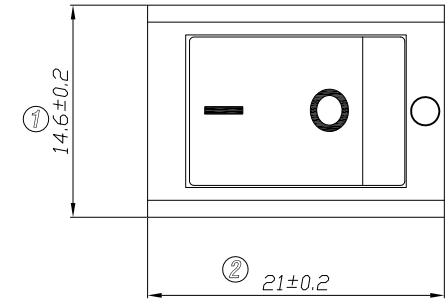
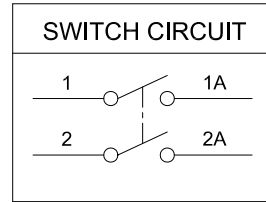
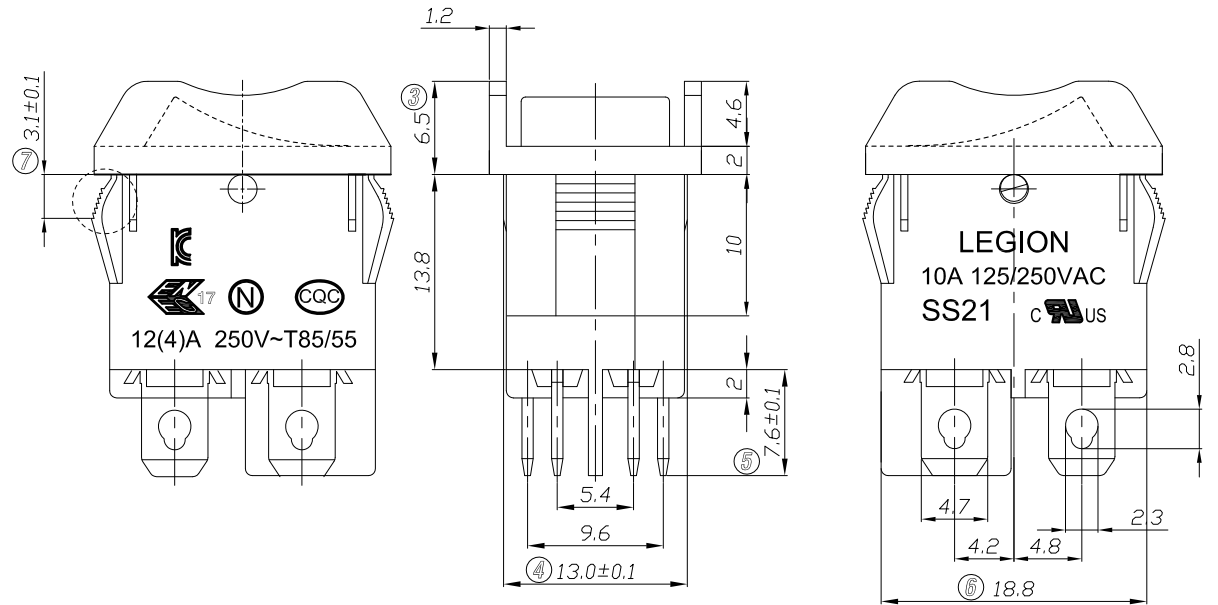
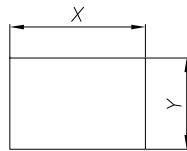


1. 电路 CIRCUIT: ON/OFF
2. 快插端子 QUICK CONNECTOR TYPE
3. 额定值 RATING: 10A 125/250VAC(C-UL)  
12(4)A 250V~T85/55(ENEC17;NEMKO;CQC;KC)
4. 柄的颜色 ACTUATOR COLOR: BLACK
5. 基座的颜色 HOUSING COLOR: BLACK
6. 柄的印字形式 ACTUATOR PRINTING: " 1/0 " 白色 WHITE COLOR
7. 所有部件均使用环保材料  
ALL MATERIALS USING MEET THE RoHS DIRECTIVE



PANEL CUTOUT DIMENSION



| PANEL THICKNESS | X                                       | Y                                      |
|-----------------|---|--|
| 0.75~1.25mm     | 18.85 <sup>+0.05</sup> <sub>-0</sub> mm | 12.7 <sup>+0.05</sup> <sub>-0</sub> mm |
| 1.26~1.80mm     | 19.20 <sup>+0.1</sup> <sub>-0</sub> mm  | 12.7 <sup>+0.1</sup> <sub>-0</sub> mm  |
| 1.81~3.30mm     | 19.40 <sup>+0.1</sup> <sub>-0</sub> mm  | 12.7 <sup>+0.1</sup> <sub>-0</sub> mm  |

| NO | DESCRIPTION | NO | DESCRIPTION | DIMENSIONAL TOLERANCES | APPROVED                               | CHECKED | DESIGN     | DRAWN        | ALL SIZE ARE IN |     | DRAWING NO.  | REV.      |    |
|----|-------------|----|-------------|------------------------|--|---------|------------|--------------|-----------------|-----|--------------|-----------|----|
|    |             |    |             |                        |  |         |            |              | MM              | NO  |              |           |    |
| 5  | →           | 10 | →           | RANGE                  |  |         |            | LMC          | SCALE           | *** | SS21-BBIWG-H | WIF119142 | A1 |
| 4  | →           | 9  | →           | TOLERANCE              |  |         | 2019.05.20 | MAT'L        |                 |     |              |           |    |
| 3  | →           | 8  | →           | X                      |  |         |            | MATERIAL NO. |                 |     |              |           |    |
| 2  | →           | 7  | →           | X.X                    |  |         |            |              |                 |     |              |           |    |
| 1  | 依客户要求更改开孔尺寸 | 6  | →           | X.XX                   |  |         |            |              |                 |     |              |           |    |
|    |             |    |             | ANGLES                 | LEGION ELECTRONIC & HARDWARE CO., LTD. |         |            |              |                 |     |              |           |    |